

# Numatic International Spare Parts Model No:

NLL332 NLL415 HLL332 HLL415 HANDLE EXPLODED DRAWING

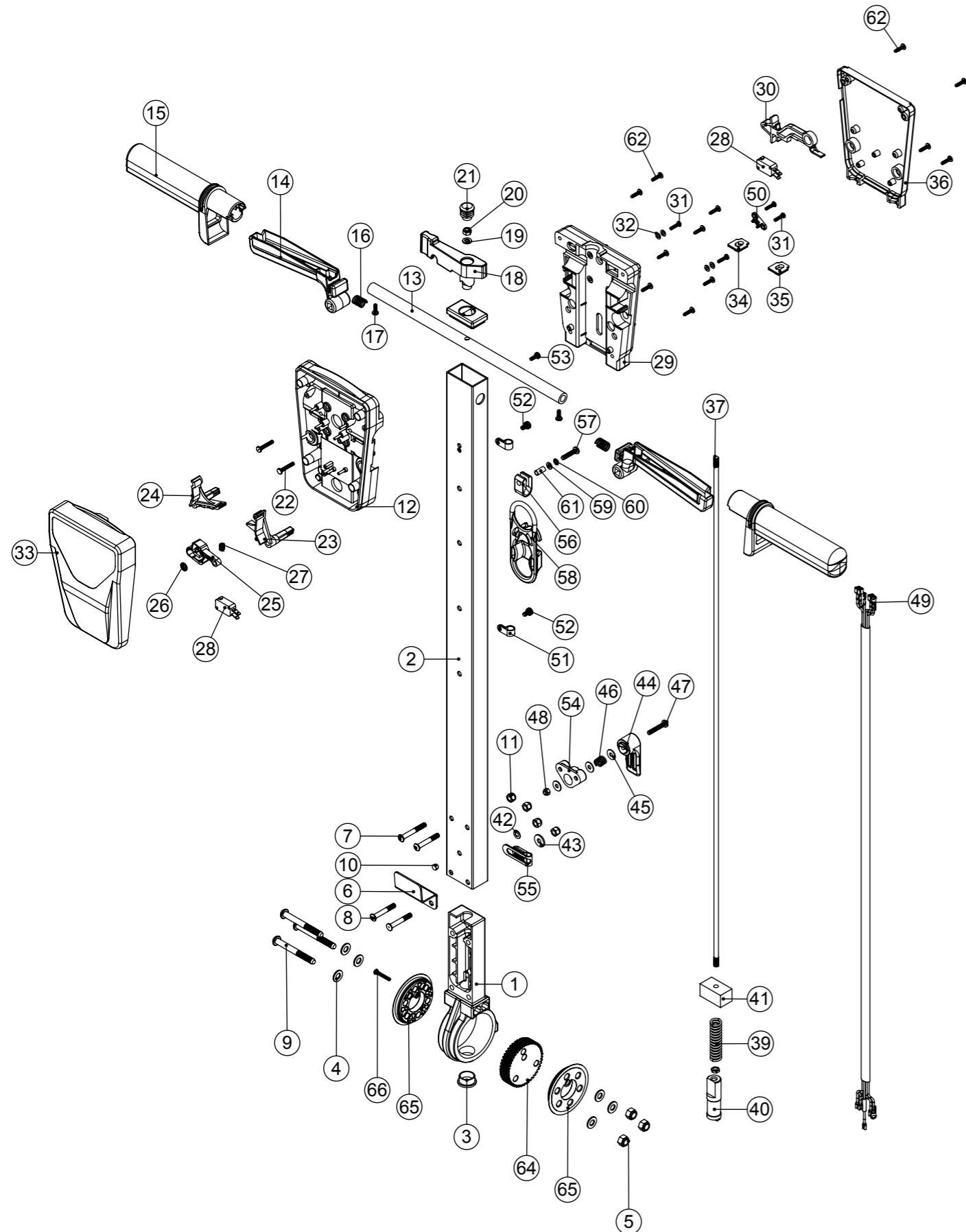
Internal Code:

234456

TBF

DRAWING: EXP-0886 ISS:A17  
29/09/2017

NB: FOR WIRING SEE DRAWING: WD-0341



# Numatic International Spare Parts

Model No: NLL332 NLL415 HLL332 HLL415 HANDLE EXPLODED DRAWING

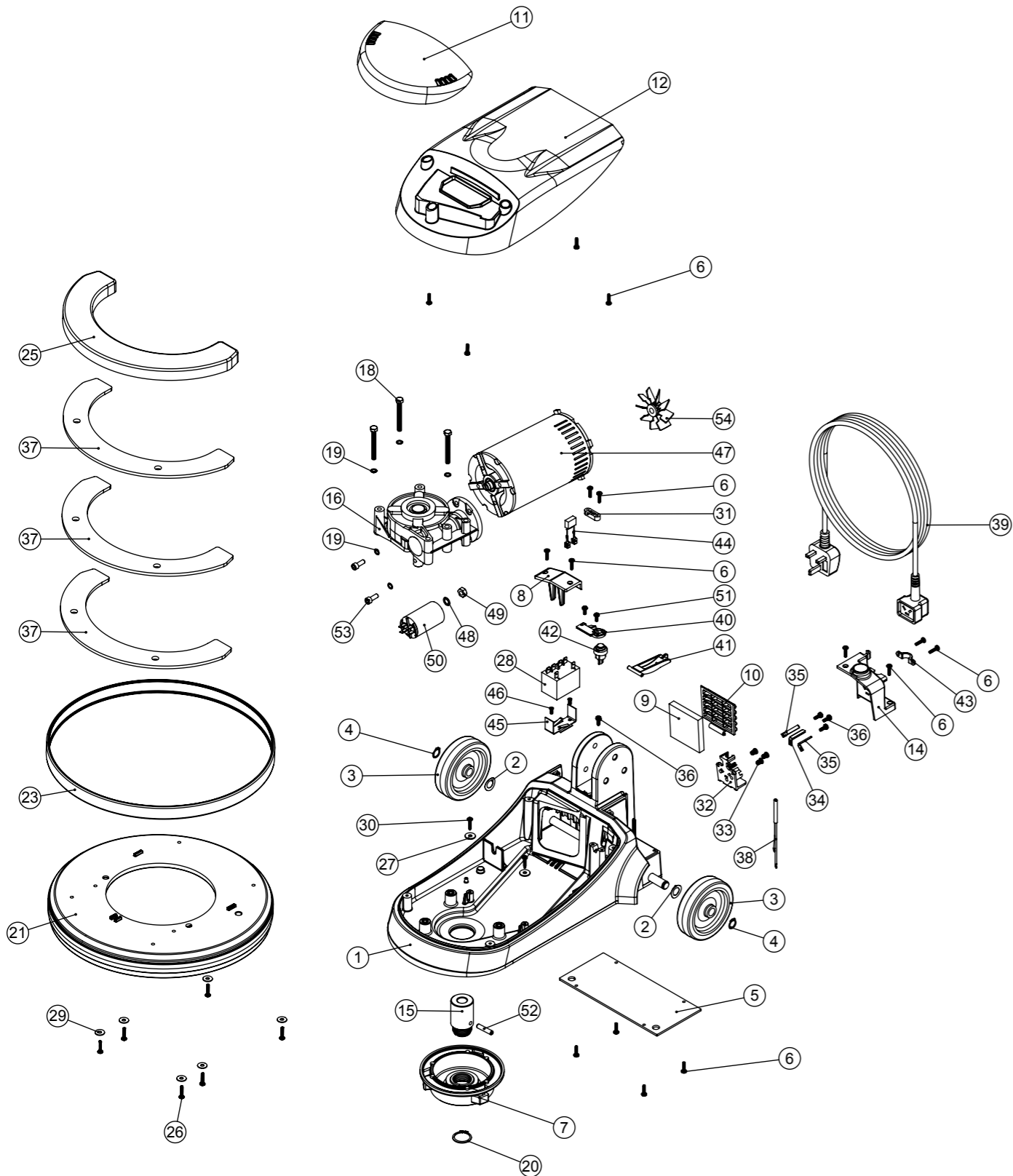
ITEM:	PART No:	DESCRIPTION	COMMENTS:	QTY.
1	900398	HANDLE CASTING MACHINED (HNS VERSION)		1
2	329486	LOLINE HANDLE TUBE PAINTED (830)		1
3	229099	25MM DIA HOLE PLUG		1
4	219010	M8 FORM A WASHER		6
5	219078	NUT.M8.NYLON INSERT.Z/PL		3
6	329000	HANDLE BRACKET		1
7	219881	M6 X 45MM SOCKET BUTTON HEAD SCREW		1
8	219807	M6 X 40MM LONG SOCKET BUTTON HEAD BOLT		3
9	219806	M8 X 70MM LONG SOCKET BUTTON HEAD BOLT		3
10	229009	BLANKING PLUG		1
11	219088	M6 NYLON INSERT NUT		4
12	227576	FRONT INNER HALF MOULDING	(HLL USE 237542)	1
13	338269	CROSS TUBE		1
14	227581	TRIGGER MOULDING (GREY)	(HLL USE 903547)	2
15	227580	HAND GRIP MOULDING	(HLL USE 237544)	2
16	219803	TRIGGER COMPRESSION SPRING		2
17	219270	No8 X 1/2 INCH LONG POZI PAN SELF TAP SCREW		2
18	227583	ADJUSTMENT LEVER MOULDING	(HLL USE 903545)	1
19	219493	M6 NYLON WASHER		1
20	219642	M6 STAINLESS STEEL NYLON INSERT NUT		1
21	20638V	19MM BLACK TUBE END STOP		1
22	219811	NO8 X 1 INCH LONG POZI-PAN SELF TAP SCREW		2
23	227585	LEFT HAND SWITCH OPERATING LEVER MOULDING		1
24	227586	RIGHT HAND SWITCH OPERATING LEVER MOULDING		1
25	227587	CENTRE SWITCH OPERATING LEVER MOULDING		1
26	219805	4MM SPIREX		1
27	219804	SWITCH COMPRESSION SPRING		1
28	229483	SNAP ACTION SWITCH		2
29	227577	REAR INNER HALF MOULDING	(HLL USE 237543)	1
30	227584	INTERLOCK LEVER MOULDING		1
31	219107	NO6.5/8 INCH LG.POZI-PAN.SCREW.Z/PL.PLASTITE		4
32	219206	M4 FORM A WASHER		4
33	318959	PRINTED FRONT COVER MOULDING	(HLL USE 905662)	1
34	329539	MODIFIED BLANKING PLATE		1
35	227666	BLANKING PLUG		1
36	318968	PRINTED REAR COVER MOULDING	(HLL USE 905664)	1
37	229484	840MM HANDLE LOCKING ROD		1
38	219099	M6 HALF NUT		1
39	229138	SPRING		1
40	229073	GEAR LOCKING PIN		1
41	229030	ANTI VIBRATION PAD		1
42	219007	M6 FORM B WASHER		1
43	219008	M6 FORM G WASHER		1
44	227807	CABLE RELEASE TOP MOULDING	(HLL USE 903883)	1
45	219644	M5 FORM G STAINLESS STEEL WASHER		3
46	206599	SPRING (REF:C5514370)		1
47	219720	M5 X 30MM LONG STAINLESS STEEL POZI PAN SCREW		1
48	219076	M5 NYLON INSERT NUT		1
49	230132	NLL 5 CORE LOOM ASSEMBLY 230V		1
50	229669	LOLINE HANDLE CABLE CLAMP	(HLL USE 903888)	1
51	219393	P CLIP		2
52	219047	M5 X 10MM LONG POZI PAN SEMS SCREW		2
53	219471	M4 X 12MM LONG POZI PAN SEMS SCREW		1
54	227806	CABLE RELEASE BASE MOULDING	(HLL USE 903882)	1
55	229139	P-CLIP		1
56	219743	CABLE CLEAT		1
57	219575	M5 X 25MM LONG POZI PAN STAINLESS STEEL SCREW		1
58	902312	CABLE STRESS RELIEF		1
59	219355	M5 FORM A STAINLESS STEEL WASHER		1
60	291084	WASHER.M5.SHAKEPROOF.STAINLESS STEEL		1
61	903192	SPIROL SPACER SP100 5MM NOM ID x 14MM		1
62	219370	No8 X 5/8 INCH LONG PLASTITE STAINLESS STEEL SCREW		12
63	227582	HANDLE PLUG MOULDING		1
64	900397	MINI ADJUSTMENT GEAR		1
65	900396	ADJUSTMENT GEAR SPACER		2
66	291150	NO6 X 1 INCH LONG POZI PAN SCREW S/S		1

# Numatic International Spare Parts

**Model No:** NLL332 NLL415 HLL332 HLL 415 BASE EXPLODED DRAWING

Internal Code: 234454  
 DRAWING: EXP-0885 ISS:A23  
 TBF 13/07/2017

NB: FOR WIRING SEE DRAWING: WD-0341



# Numatic International Spare Parts

**Model No:** NLL332 NLL415 HLL332 HLL 415 BASE EXPLODED DRAWING

Item	Part No.	DESCRIPTION	COMMENTS	QTY.
1	304264	NLL BASE ASSEMBLY (LESS MOTOR SUPPORTS)	(HLL 905651)	1
2	219891	13MM WAVEY WASHER		2
3	329112	100MM WHEEL		2
4	219151	13MM EXTERNAL CIRCLIP		2
5	304236	BASE PLATE		1
6	219914	NO6 X 5/8 INCH LONG POZI-PAN PLASTITE STAINLESS STEEL SCREW		16
7	230207	DIE CAST CHUCK MACHINED		1
8	229667,905652	LOLINE FILTER COVER TOP	(HLL 905652)	1
9	329522	FILTER		1
10	229668,905653	LOLINE FILTER COVER	(HLL 905653)	1
11	229663	LOLINE CAP MOULDING (GREY)	(HLL 905654)	1
12	328113	NLL332 LID MOULDING PRINTED GREY	(HLL 907597)	1
	328114	NLL415 LID MOULDING PRINTED GREY	(HLL 905656)	
14	206866	10A INPUT COVER C/W WINDOW PLUG (GRAPHITE VERSION)	(HLL 905659)	1
15	314000	LOLINE DRIVE SHAFT MOD		1
16	206737	EMD GEARBOX (GB12) (14:1 RATIO)		1 ( FOR 332 MODEL )
	206754	18.67:1 GERABOX (GB12)		1 ( FOR 415 MODEL )
18	219224	M6 X 55MM LONG HEX HEAD BOLT		3
19	219544	M6 SHAKEPROOF WASHER		5
20	230048	26MM EXTERNAL CIRCLIP		1
21	229664	LOLINE DECK MOULDING GRAPHITE (330MM)	(HLL 907591)	1 ( FOR 332 MODEL )
	229718	LOLINE 415 DECK MOULDING	(HLL 905657)	1 ( FOR 415 MODEL )
23	214111	LOLINE BUFFER RING (GRAPHITE)	(HLL 907590)	1 ( FOR 332 MODEL )
	214112	BUFFER RING (415)	(HLL 905660)	1 ( FOR 415 MODEL )
25	229680	LOLINE WEIGHT COVER GREY	(HLL 905658)	1
26	219568	NO8.3/4 INCH LG.POZI-PAN.SCREW.STAINLESS STEEL.PLASTITE		6
27	219497	M5 NYLON WASHER		2
28	206575	240V / 25A RELAY		1
29	219644	M5 FORM G STAINLESS STEEL WASHER		6
30	221152	No6 X 12MM LONG POZI PAN SELF TAP SCREW		2
31	227008	BLACK CABLE CLAMP		1
32	216288	TERMINAL BLOCK		1
33	219009	M4 BRASS TAPPEX INSERT		3
34	206563	EARTH CONTACT PIN		1
35	206562	CONTACT PIN		2
36	219471	M4 X 12MM LONG POZI PAN SEMS SCREW		4
37	429098	DECK WEIGHT (PAINTED SILVER GREY)		3
38	321193	AC LED WITH TERMINALS		1
39	236071	MAINS CABLE (15.0 METRES / 1MM / 3 CORE CABLE / SOCKET + UK PLUG)		1
40	216293	LEVER PLATE		1
41	216292	CUT OUT LEVER		1
42	229454	HANDLE SWITCH		1
43	229729	10AMP PLUG CLAMP	(HLL 905887)	1
44	230136	SUPPRESSOR ASSEMBLY		1
45	206500	RELAY BRACKET		1
46	219651	M4 X 10MM LONG POZI PAN THREAD CUTTING SCREW		2
47	205166	PSC INDUCTION MOTOR & RUN CAP (220-240V) (50HZ) (NL332/415)		1
48	219018	M8 SHAKEPROOF WASHER		1
49	219079	M8 PLAIN NUT		1
50	208285	10mfd CAPACITOR DOUBLE TERMINALS M8 STUD SIZE 36x58 (4.16.10.15.64)		1
51	219677	No4 X 10MM LONG POZI PAN PLASTITE SCREW		2
52	291079	6MM X 30MM STAINLESS STEEL ROLL PIN		1
53	219887	M6 X 16MM STAINLESS STEEL CAP HEAD SCREW		2
54	330017	FAN AND BORE ASSEMBLY		1