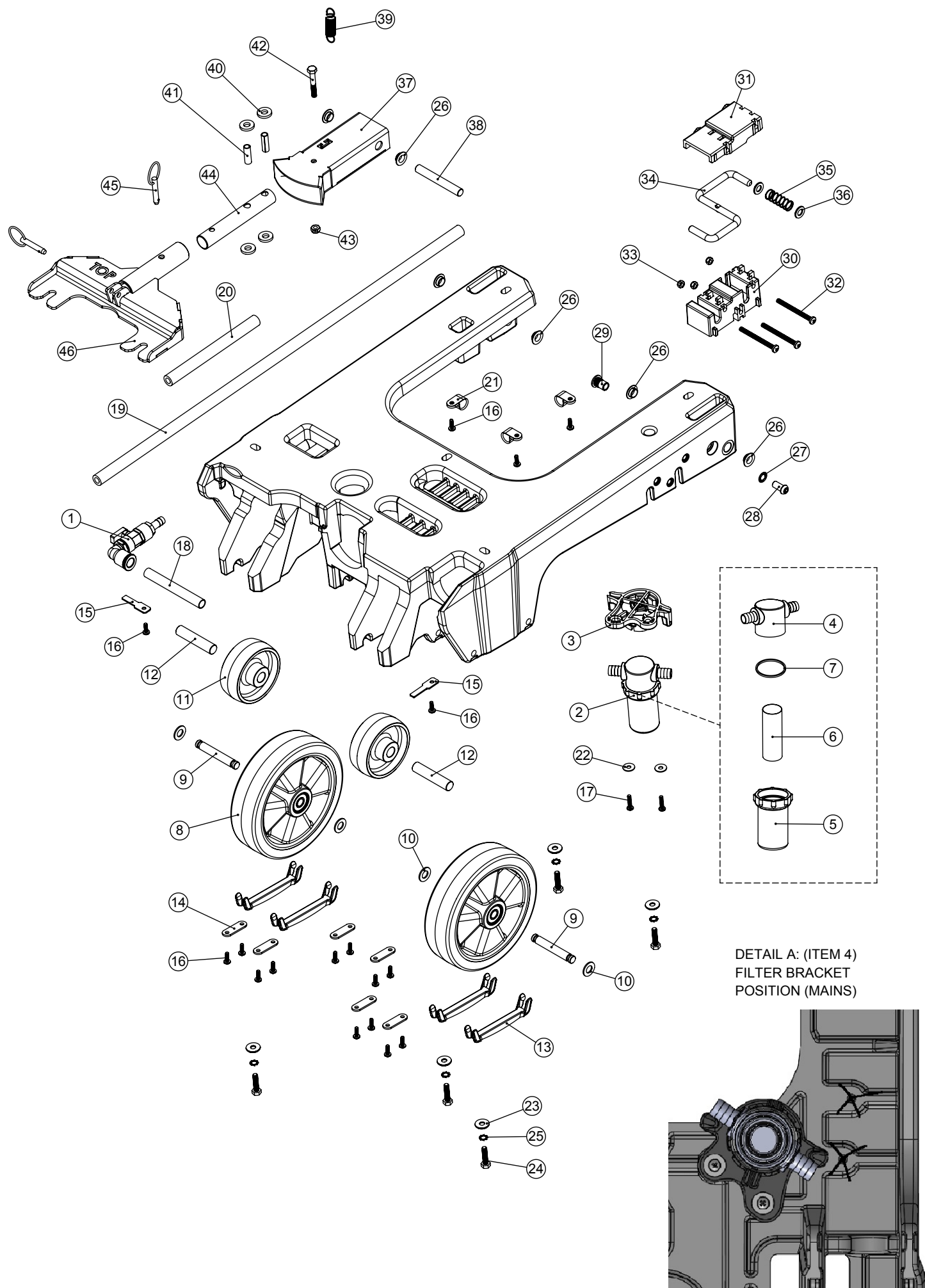


Numatic International Spare Parts

Model No: TT4045G & TT4055G CHASSIS ASSEMBLY EXPLODED VIEW

Internal Code: 904402

PRO DRAWING: DRW-23621 ISS:A05
10/03/2019



Numatic International Spare Parts

Model No: TT4045G & TT4055G CHASSIS ASSEMBLY EXPLODED VIEW

ITEM:	PART No:	DESCRIPTION	COMMENTS:	QTY
	904902	PLASTIC CHASSIS (BLACK)		
1	901543	12MM SWIVEL ELBOW PUSH FIT TO 10MM HOSE TAIL BALL VALVE ASSEMBLY		1
2	208888	EXTENDED STRAINER		1
3	901006	FILTER MOUNTING BRACKET	DETAIL A	1
4	208827	STRAINER BLACK TOP	PART OF ITEM 3 (208888)	1
5	208890	68MM EXTENDED STRAINER CLEAR BOWL	PART OF ITEM 3 (208888)	1
6	208889	EXTENDED STRAINER 50 MESH SCREEN	PART OF ITEM 3 (208888)	1
7	208830	STRAINER GASKET	PART OF ITEM 3 (208888)	1
8	208638	160mm WHEEL WITH POLYURETHENE TYRE		2
9	903577	AXLE BAR ST/ST 10MM DIA. 68MM LONG		2
10	219903	M10 FORM A STAINLESS STEEL WASHER		4
11	206713	80MM DIAMETER WHITE WHEEL		2
12	903576	AXLE BAR ST/ST 12.7MM DIA. 60MM LONG		2
13	903597	AXLE CLIP		4
14	903596	AXLE PLATE		6
15	903594	TAP PLATE		2
16	219569	NO8. 1/2 INCH. LG.POZI-PAN.SCREW.STAINLESS STEEL.PLASTITE		17
17	219568	NO8.3/4 INCH LG.POZI-PAN.SCREW.STAINLESS STEEL.PLASTITE		2
18	903573	NYLON TUBE 12MM OD X 10MM ID (96MM +/-1.0)		1
19	903580	SILICON TUBE 640MM LONG X 8MM I/D X 14.4MM OD		1
20	903581	SILICON TUBE 155MM LONG X 8MM I/D X 14.4MM OD		1
21	219465	P-CLIP		3
22	219644	M5 FORM G STAINLESS STEEL WASHER		2
23	219647	M6 FORM G STAINLESS STEEL WASHER		5
24	219925	M6 x 25MM LONG STAINLESS STEEL HEX SCREW		5
25	902353	M6 EXTERNAL SHAKEPROOF WASHER STAINLESS STEEL		5
26	208312	IGUS BEARING (GFM 101205)		6
27	902520	M8 INTERNAL WASHER SHAKEPROOF STAINLESS STEEL		1
28	903566	M8X16MM LONG STAINLESS STEEL SOCKET BUTTON HEAD BOLT		1
29	903565	M8 STAINLESS STEEL HEADED NUTSERT		1
30	901280	LATCH BLOCK BOTTOM MOULDING		1
31	901279	LATCH BLOCK TOP MOULDING		1
32	901558	M5 X 60MM STAINLESS STEEL POZI PAN MACHINE SCREW		3
33	219633	M5 STAINLESS STEEL NYLON INSERT NUT		3
34	904440	DECK LATCH BAR		1
35	208578	DECK LOCK SPRING		1
36	219578	M8 FORM A STAINLESS STEEL WASHER		2
37	304359	TT/TTB/4045/4055 SQUEEGEE MOUNT WELD ASSEMBLY		1
38	903575	AXLE BAR ST/ST 10MM DIA. 75MM LONG		1
39	208619	FLOOR TOOL SPRING		1
40	206964	SLIDE NYLON SPACER		4
41	206954	SPIRO SPACER		2
42	291125	M6 X 40 LONG HEX BOLT STAINLESS STEEL		1
43	219642	M6 STAINLESS STEEL NYLON INSERT NUT		1
44	304356	FLOOR TOOL PIVOT TUBE		1
45	206953	DETENT PINS		2
46	304466	FLOOR TOOL BRACKET ASSEMBLY (TT/TTB4045/4055)		1
47	903589	TT/B PLASTIC CHASSIS		1