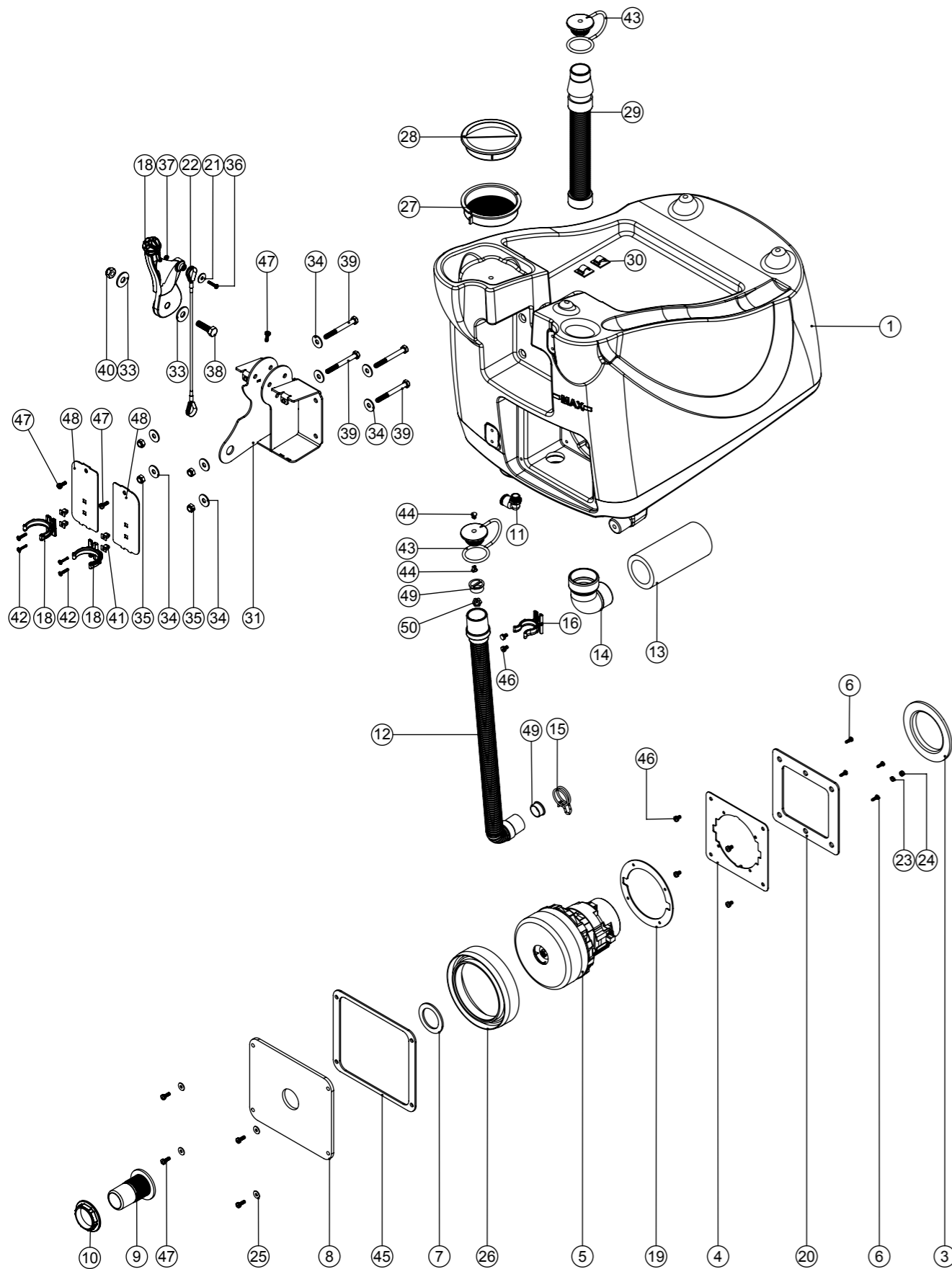


Numatic International Spare Parts

Model No: TT4045 (TT1117) & TTB4055 (TT1120) BOTTOM TANK / VAC MOTOR ASSEMBLY

Internal Code: 244497
DRAWING: DRW-16829 ISS:A19
02/03/2017

NB: FOR WIRING SEE DRAWING: DRW-18548, DRW-17307, DRW-17309, DRW-18468
NOTE: HT MODELS USE HFM STYLE MOTOR 230V50Hz DRW-21894 115V50Hz DRW-21891



Numatic International Spare Parts

Model No: TT4045 (TT1117) & TTB4055 (TT1120) BOTTOM TANK / VAC MOTOR ASSEMBLY

ITEM:	PART No:	Description	Comments:	QTY.
1	237657	TT.4055 BOTTOM TANK MOULDING (GRAPHITE)		1
	237689	TT.4055 BOTTOM TANK MOULDING (GRAPHITE) EP		1
	907515	HT4045 BOTTOM TANK MOULDING (RED)		1
3	202008	MOTOR CAP GASKET		1
4	304417	MAINS MOTOR MOUNT WELD ASSEMBLY		1
5	205443	230V 2 STAGE D.I BYPASS ACUSTEK MOTOR (BL21104T) (MARKED 230V) TCO		1
	321935	120V VAC MOTOR ASSEMBLY C/W 170MM LONG MOTOR LEAD	110V/50Hz & 120V/60Hz NACE 8A OVERLOAD, OLDER BLUE MACHINES	1
	905736	120V 800W VAC MOTOR ASSEMBLY C/W 170MM LONG MOTOR LEAD	120V 60Hz 800W VAC, NACE, 15A OVERLOAD, GREY MACHINES	1
6	219569	NO8.1/2 INCH. LG.POZI-PAN.SCREW.STAINLESS STEEL.PLASTITE		4
7	219310	RUBBER WASHER		1
8	392441	TT4045/55 VAC MOTOR BACK PLATE		1
9	237526	38MM RED DRAIN HOSE CONNECTOR		1
10	206116	BLACK NUT		1
11	901539	ELBOW ANGLE CONNECTOR 3/8 PARALLEL THREAD C/W O-RING TO 12MM PUSH IN		1
12	213025	DUMP HOSE		1
13	208956	SILENCER FOAM TUBE 150MM		1
14	208583	DIP MOULDED ELBOW (MAINS VERSION)		1
15	902133	SPRING WIRE CLAMP (YDNAC-Y8010356)		1
16	901916	28mm HOSE CLIP		1
18	237754	35-38MM HOSE CLIP		2
18	237691	SQUEEGEE LIFT HANDLE		1
	902324	RED SQUEEGEE LIFT HANDLE		1
19	208801	TT MOTOR GASKET		1
20	208799	TT MOTOR PLATE GASKET		1
21	291118	M5 STAINLESS STEEL WASHER 19MM OD		1
22	208962	TT LIFTING WIRE		1
23	219721	M5 STAINLESS STEEL FULL NUT		1
24	219633	M5 STAINLESS STEEL NYLON INSERT NUT		1
25	219644	M5 FORM G STAINLESS STEEL WASHER		4
26	202069	BOTTOM MOTOR GASKET		1
27	207128	CLEAN TANK INLET FILTER		1
	903543	CLEAN TANK INLET FILTER (RED)		1
28	237268	FILLER CAP LID		1
	903544	FILLER CAP LID (RED)		1
29	208960	TTB/TT FILLING HOSE		1
30	220403	CABLE CLIP		2
31	404216	HANDLE MOUNT WELD ASSEMBLY - Z/PL		1
32	219558	M5 STAINLESS STEEL NUTSERT		3
33	291124	M10 PENNY WASHER STAINLESS STEEL		2
34	219716	M8 FORM G STAINLESS STEEL WASHER		8
35	219639	M8 STAINLESS STEEL NYLON INSERT NUT		4
36	219686	M4 X 20MM LONG STAINLESS STEEL POZI PAN MACHINE SCREW		1
37	219687	M4 STAINLESS STEEL NYLON INSERT NUT		1
38	219895	M10 X 35MM LONG HEXAGONAL STAINLESS STEEL SCREW		1
39	291123	M8 X 75 LONG HEX HEAD BOLT STAINLESS STEEL		4
40	219897	M10 STAINLESS STEEL NYLON INSERT NUT		1
41	900986	NYLON GROMMET NUT (PLASTIC INSERT TO SUIT No 8 PLASTITE SCREW)		4
42	219568	NO8.3/4 INCH LG.POZI-PAN.SCREW.STAINLESS STEEL.PLASTITE		4
43	903341	32MM HOSE CAP RED (C/W 8MM HOLE)		2
44	904403	BARBED RIVET BLACK		2
45	902275	VAC PLATE GASKET		1
46	291135	M5 X 10MM LONG STAINLESS STEEL POZI PAN SEMS SCREW		6
47	291132	M5 X 16MM LONG STAINLESS STEEL POZI PAN SEMS SCREW		7
48	903539	HANDLE MOUNT COVER PAINTED SILVER		2
49	904108	FLOAT STOP MOULDING		2
50	904109	FLOAT MOULDING		1