

Numatic International Spare Parts

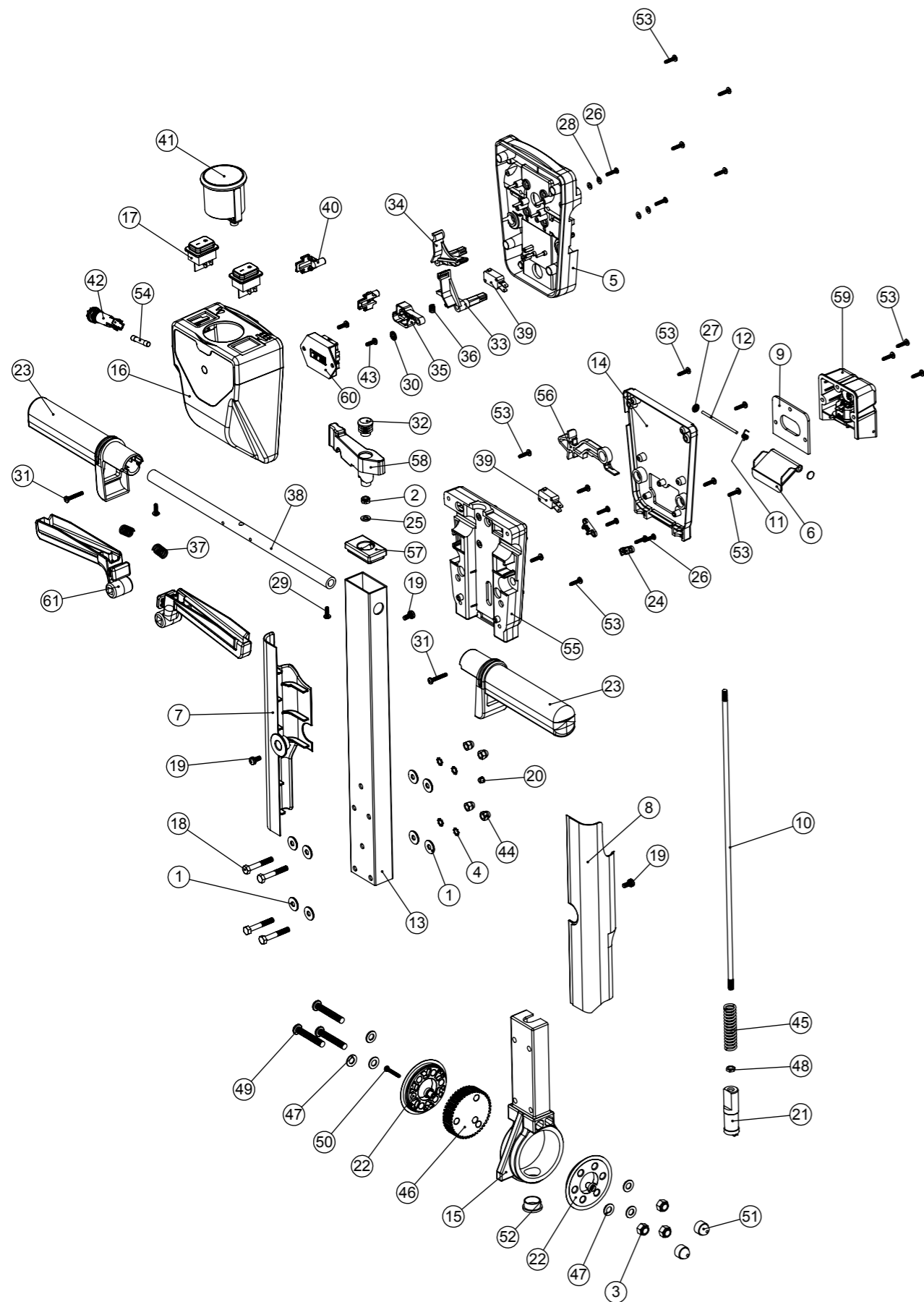
Model No: TGB 3045/4045/4055 HANDLE ASSEMBLY EXPLODED VIEW

Internal Code: 903636

MS5 DRAWING: DRW-22934 ISS:A09

NB: FOR TGB 3045 WIRING SEE DRAWING: DRW-22779

NB: FOR TGB 4045/4055 WD: DRW-22704



Numatic International Spare Parts

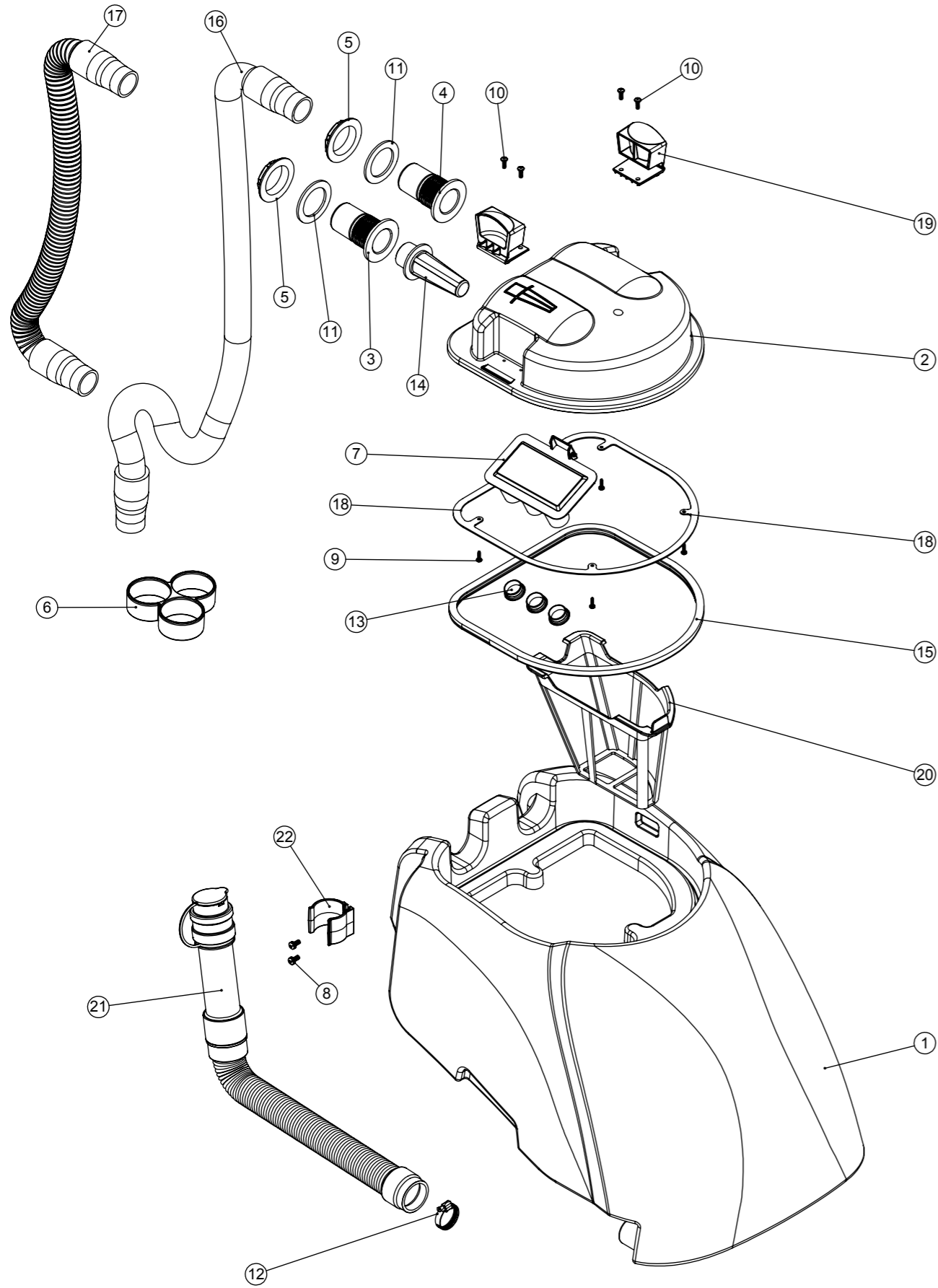
Model No: TGB 3045/4045/4055 HANDLE ASSEMBLY EXPLODED VIEW

ITEM:	PART No:	DESCRIPTION	COMMENTS:	QTY.
1	219647	M6 FORM G STAINLESS STEEL WASHER		8
2	219642	M6 STAINLESS STEEL NYLON INSERT NUT		1
3	219639	M8 STAINLESS STEEL NYLON INSERT NUT	TORQUE 1.5-2NM	3
4	902353	M6 EXTERNAL SHAKEPROOF WASHER STAINLESS STEEL		4
5	227576	FRONT INNER HALF MOULDING	STANDARD MACHINE	1
	229508	FLAME RETARDANT FRONT INNER HALF MOULDING	FLAME RETARDENT 120V	1
6	227781	FLAP MOULDING		1
7	237692	HANDLE CABLE COVER L/H		1
8	237693	HANDLE CABLE COVER R/H		1
9	202105	SOCKET COVER SEALING GASKET		1
10	229461	440MM HANDLE LOCKING ROD		1
11	219819	TORSION SPRING		1
12	390979	72MM LONG X 3MM DIAMETER STAINLESS STEEL BAR		1
13	903603	TGB/TTG 430MM PROCESSED ALI HANDLE PAINT SILVER		1
14	303509	MODIFIED REAR COVER	STANDARD MACHINE	1
	303628	FLAME RETARDENT MODIFIED REAR COVER MOULDING	FLAME RETARDENT 120V	1
15	900398	HANDLE CASTING MACHINED (MODIFIED 229081)		1
16	903556	TGB HANDLE FRONT COVER TFPP	STANDARD MACHINE	1
	903560	TGB HANDLE FRONT COVER FRPP	FLAME RETARDENT 120V	1
17	902235	SWITCH DPST RED ILLUMINATED WITH MEMBRANE 24V		2
18	291125	M6 X 40 LONG HEX BOLT STAINLESS STEEL		4
19	291131	M5 X 12MM LONG STAINLESS STEEL POZI PAN SEMS SCREW		3
20	229009	BLANKING PLUG		1
21	229073	GEAR LOCKING PIN		1
22	900396	ADJUSTMENT GEAR SPACER		2
23	227580	HAND GRIP MOULDING		2
24	229669	LOLINE HANDLE CABLE CLAMP		2
25	219493	M6 NYLON WASHER		1
26	219107	NO6.5/8 INCH LG.POZI-PAN.SCREW.STAINLESS STEEL.PLASTITE		6
27	219832	3MM DIAMETER STARLOCK		2
28	219206	M4 FORM A WASHER		4
29	219270	No8 X 1/2 INCH LONG POZI PAN SELF TAP SCREW		2
30	219805	4MM SPIREFIX		1
31	219811	NO8 X 1 INCH LONG POZI-PAN SELF TAP SCREW		2
32	20638V	19MM BLACK TUBE END STOP		1
33	227585	LEFT HAND SWITCH OPERATING LEVER MOULDING		1
34	227586	RIGHT HAND SWITCH OPERATING LEVER MOULDING		1
35	227587	CENTRE SWITCH OPERATING LEVER MOULDING		1
36	219804	SWITCH COMPRESSION SPRING		1
37	219803	TRIGGER COMPRESSION SPRING		2
38	338269	CROSS TUBE		1
39	229483	SNAP ACTION SWITCH		2
40	903558	TGB HANDLE BOSS		2
41	902532	BATTERY DISCHARGE INDICATOR + HOUR METER 24V		1
42	903032	BULGIN PANEL MOUNT FUSEHOLDER		1
43	219569	NO8.1/2 INCH. LG.POZI-PAN.SCREW.STAINLESS STEEL.PLASTITE		2
44	219764	M6 STAINLESS STEEL DOME NUT		4
45	229138	SPRING		1
46	900397	MINI ADJUSTMENT GEAR		1
47	219578	M8 FORM A STAINLESS STEEL WASHER		6
48	219099	M6 HALF NUT		1
49	219922	M8 X 50MM LONG SOCKET BUTTON HEAD STAINLESS STEEL BOLT		3
50	291150	NO6 X 1 INCH LONG POZI PAN SCREW S/S		1
51	903260	BOLT AND NUT CAP		2
52	229099	25MM DIA HOLE PLUG		1
53	219370	No8 X 5/8 INCH LONG PLASTITE STAINLESS STEEL SCREW		15
54	903066	FUSE 2.5A (6.3x32)		1
55	227577	REAR INNER HALF MOULDING	STANDARD MACHINE	1
	229509	FLAME RETARDANT REAR INNER HALF MOULDING	FLAME RETARDENT 120V	1
56	227584	INTERLOCK LEVER MOULDING		1
57	903546	HANDLE PLUG MOULDING (RED)		1
58	903545	ADJUSTMENT LEVER MOULDING (RED)		1
59	904030	240V EMI FILTER WITH SOCKET COVER ASSEMBLY (PROCESSED)	240V VERSION	1
	904031	120V EMI FILTER WITH SOCKET COVER ASSEMBLY (PROCESSED)	120V VERSION	1
60	903766	DMH Terminal Block PCB Assembly		1
61	903547	TRIGGER MOULDING (RED)		2

Numatic International Spare Parts

Model No: TGB 3045 TOP TANK ASSEMBLY EXPLODED VIEW

Internal Code: 903638
MS5 DRAWING: DRW-21692 ISS:A09



Numatic International Spare Parts

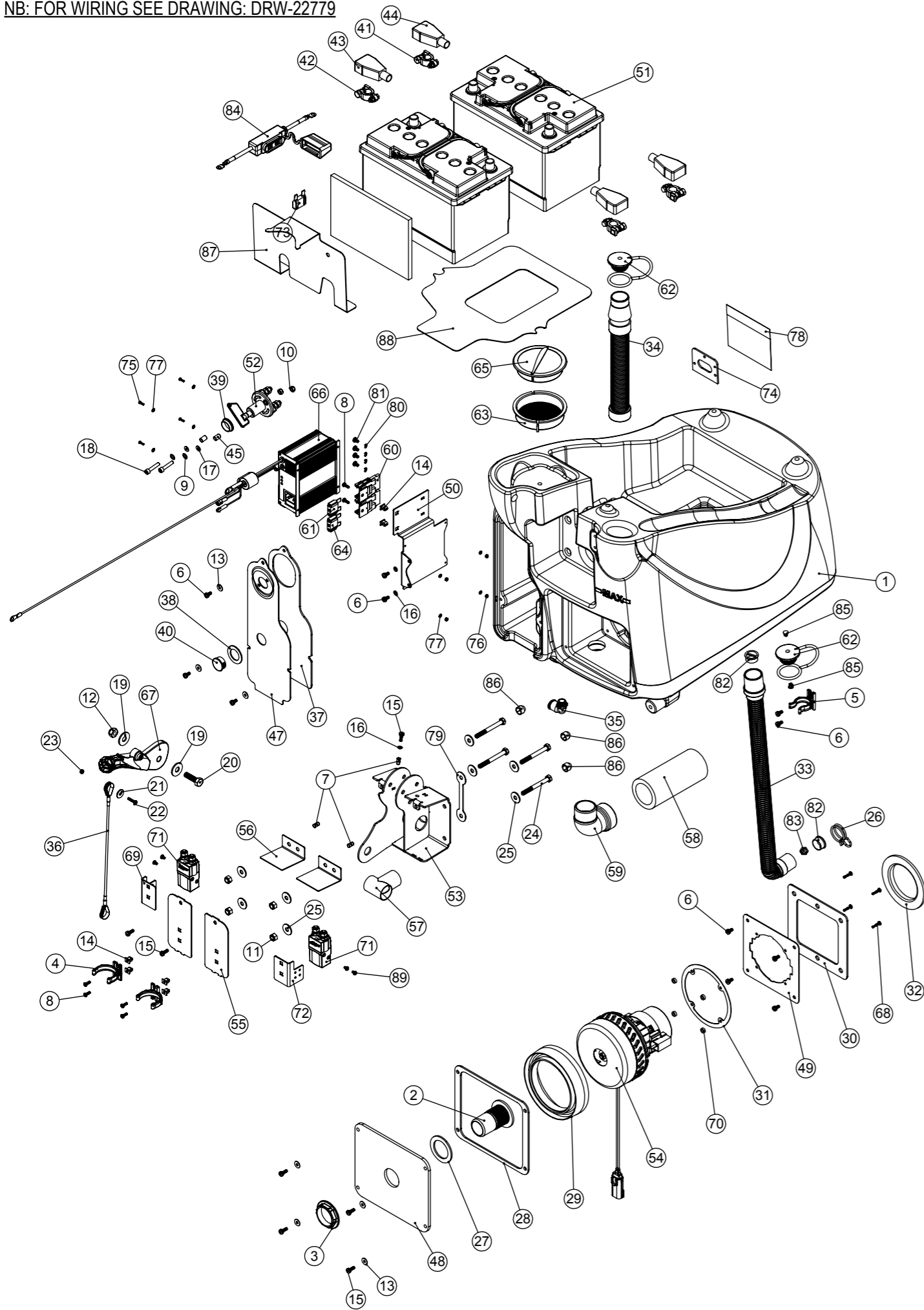
Model No: TGB 3045 TOP TANK ASSEMBLY EXPLODED VIEW

ITEM:	PART No:	Description	Comments	QTY
1	902588	TGB3045 TOP TANK MOULDING		1
2	237381	INTEGRATED CHASSIS SEPARATOR		1
3	237526	38MM RED DRAIN HOSE CONNECTOR		1
4	237018	38MM DRAIN HOSE CONNECTOR		1
5	206116	BLACK NUT		2
6	237718	HOSE GUIDE		1
7	237090	SEPARATOR FLOAT MOULDING (MK 2)		1
8	291131	M5 X 12MM LONG STAINLESS STEEL POZI PAN SEMS SCREW		2
9	219852	NO6 X 1/2 LONG POZI PAN STAINLESS STEEL SELF TAP SCREW		4
10	219569	NO8.1/2 INCH. LG.POZI-PAN.SCREW.STAINLESS STEEL.PLASTITE		4
11	219310	RUBBER WASHER		2
12	206209	A.B.A HOSE CLIP		1
13	206315	TUBE END PLUG		3
14	206265	TT/B 345 BARREL FILTER		1
15	208591	NEW SEPARATOR GASKET		1
16	280019	35MM X 690MM LONG 3:1 STRETCH HOSE (SHORT & LONG CUFF)		1
17	213058	VAC HOSE 650MM X Ø38MM		1
18	392200	FILTER GASKET RING		1
19	902919	CLIP MOULDING (RED)		2
20	903542	GRIT FILTER BASKET (RED)		1
21	901548	35MM X 250MM STRETCH HOSE (3:1) C/W ADJUSTABLE CUFF + CAP		1
22	237382	ACETAL HOSE CLIP MOULDING		1

Numatic International Spare Parts

Model No: TGB 3045 BOTTOM TANK ASSEMBLY EXPLODED VIEW

NB: FOR WIRING SEE DRAWING: DRW-22779



Internal Code: 903637

MS5 DRAWING: DRW-21694 ISS:A14

Numatic International Spare Parts

Model No: TGB 3045 BOTTOM TANK ASSEMBLY EXPLODED VIEW

ITEM:	PART No:	Description	Comments	QTY
1	902590	TGB3045 BOTTOM TANK MOULDING (GRAPHITE)		1
2	237526	38MM RED DRAIN HOSE CONNECTOR		1
3	206116	BLACK NUT		1
4	237754	35-38MM HOSE CLIP		2
5	901916	28mm HOSE CLIP		1
6	291131	M5 X 12MM LONG STAINLESS STEEL POZI PAN SEMS SCREW		11
7	219558	M5 STAINLESS STEEL NUTSERT		3
8	219569	NO8. 1/2 INCH. LG.POZI-PAN.SCREW.STAINLESS STEEL.PLASTITE		6
9	219560	M6 FORM B STAINLESS STEEL WASHER		2
10	219642	M6 STAINLESS STEEL NYLON INSERT NUT		2
11	219639	M8 STAINLESS STEEL NYLON INSERT NUT		4
12	219897	M10 STAINLESS STEEL NYLON INSERT NUT		1
13	219644	M5 FORM G STAINLESS STEEL WASHER		7
14	900986	NYLON GROMMET NUT (PLASTIC INSERT TO SUIT No 8 PLASTITE SCREW)		6
15	291132	M5 X 16MM LONG STAINLESS STEEL POZI PAN SEMS SCREW		7
16	219355	M5 FORM A STAINLESS STEEL WASHER		3
17	219462	RUBBER WASHER		2
18	219747	M6 X 30MM STAINLESS STEEL CAP HEAD SCREW		2
19	291124	M10 PENNY WASHER STAINLESS STEEL		2
20	219895	M10 X 35MM LONG HEXAGONAL STAINLESS STEEL SCREW		1
21	291118	M5 STAINLESS STEEL WASHER 19MM OD		1
22	219686	M4 X 20MM LONG STAINLESS STEEL POZI PAN MACHINE SCREW		1
23	219687	M4 STAINLESS STEEL NYLON INSERT NUT		1
24	291123	M8 X 75 LONG HEX HEAD BOLT STAINLESS STEEL		4
25	219716	M8 FORM G STAINLESS STEEL WASHER		8
26	902133	SPRING WIRE CLAMP (YDNAC-Y8010356)		1
27	219310	RUBBER WASHER		1
28	902275	VAC PLATE GASKET		1
29	202069	BOTTOM MOTOR GASKET		1
30	208799	TT MOTOR PLATE GASKET		1
31	202139	MOTOR GASKET		1
32	202008	MOTOR CAP GASKET		1
33	213025	DUMP HOSE		1
34	208960	TTB/TT FILLING HOSE		1
35	901539	ELBOW ANGLE CONNECTOR 3/8 PARALLEL THREAD C/W O-RING TO 12MM PUSH IN		1
36	208962	TT LIFTING WIRE		1
37	902708	CHARGER & PCB PLATE GASKET		1
38	902328	WINDOW PLUG GASKET		1
39	902331	QF PVC GROMMET (26MM X 22MM X 2MM)		1
40	206314	WINDOW PLUG		1
41	220455	BATTERY TERMINAL CONVERTOR		2
42	220454	POSITIVE BATTERY TERMINAL CONVERTER		2
43	208935	RED BATTERY TERMINAL COVER (415N8V02)		2
44	208936	BLACK BATTERY TERMINAL COVER (415N8V14)		2
45	229744	SPACER		2
46	208645	FOAM BATTERY SPACER		1
47	902707	CHARGER & PCB COVER PLATE		1
48	392441	TT4045/55 VAC MOTOR BACK PLATE		1
49	902709	VAC MOTOR PLATE (CCL)		1
50	902706	CHARGER & PCB BRACKET		1
51	220868	12V TRACTION BLOCK BATTERY		2
52	206746	MASTER KEY SWITCH & KEY		1
53	903612	TGB 3045 HANDLE MOUNT WELD ASSEMBLY Z/PL		1
54	903292	VAC MOTOR ASSEMBLY		1
55	903539	HANDLE MOUNT COVER PAINTED SILVER		2
56	903599	COVER PLATE		2
57	903600	T SHAPE DIP MOULDING		1
58	208956	SILENCER FOAM TUBE 150MM		1
59	208583	DIP MOULDED ELBOW (MAINS VERSION)		1
60	230102	FUSE HOLDER RATED AT 60 AMPS		2
61	230104	30 AMP MAXI FUSE		1
62	903341	32MM HOSE CAP RED (C/W 8MM HOLE)		2
63	903543	CLEAN TANK INLET FILTER (RED)		1
64	221091	20 AMP MAXI FUSE		1
65	903544	FILLER CAP LID (RED)		1
66	903533	SPE CHARGER ASSEMBLY C/W INHIBIT		1
67	902324	RED SQUEEGEE LIFT HANDLE		1
68	219568	NO8. 3/4 INCH LG.POZI-PAN.SCREW.STAINLESS STEEL.PLASTITE		4
69	903598	CONTACTOR PLATE (LEFT)		1
70	903715	SPACER 10 OD X 5 ID X 4MM HT		4
71	903736	24V ALBRIGHT CONTACTOR (SU60-2009)		2
72	903737	CONTACTOR PLATE (RIGHT)		1
73	221047	40 AMP MAXI FUSE		1
74	202105	SOCKET COVER SEALING GASKET		1
75	902534	M3 X 10MM LONG POZI PAN SCREW STAINLESS STEEL		4
76	291154	M3 NYLON INSERT NUT STAINLESS STEEL		4
77	904219	M3 STAINLESS STEEL EXTERNAL SHAKEPROOF WASHER		8
78	904220	SPLASH GUARD SHEET		1
79	904283	CABLE RESTRAINT		1
80	219861	M5 SINGLE COIL STAINLESS STEEL WASHER		4
81	219864	M5 X 8MM LONG POZI-PAN SCREW Z/PL		4
82	904108	FLOAT STOP MOULDING		2
83	904109	FLOAT MOULDING		1
84	903761	WATERPROOF BATTERY FUSE HOLDER.246.RING.RING		1
85	904403	BARBED RIVET BLACK		2
86	903260	BOLT AND NUT CAP		3
87	904729	WIRE & BATTERY PLATE (PP)		1
88	904728	BATTERY SPACER (PP)		1
89	904703	M4 X 6MM LONG POZI-PAN SCREW STAINLESS STEEL	1.6Nm	4

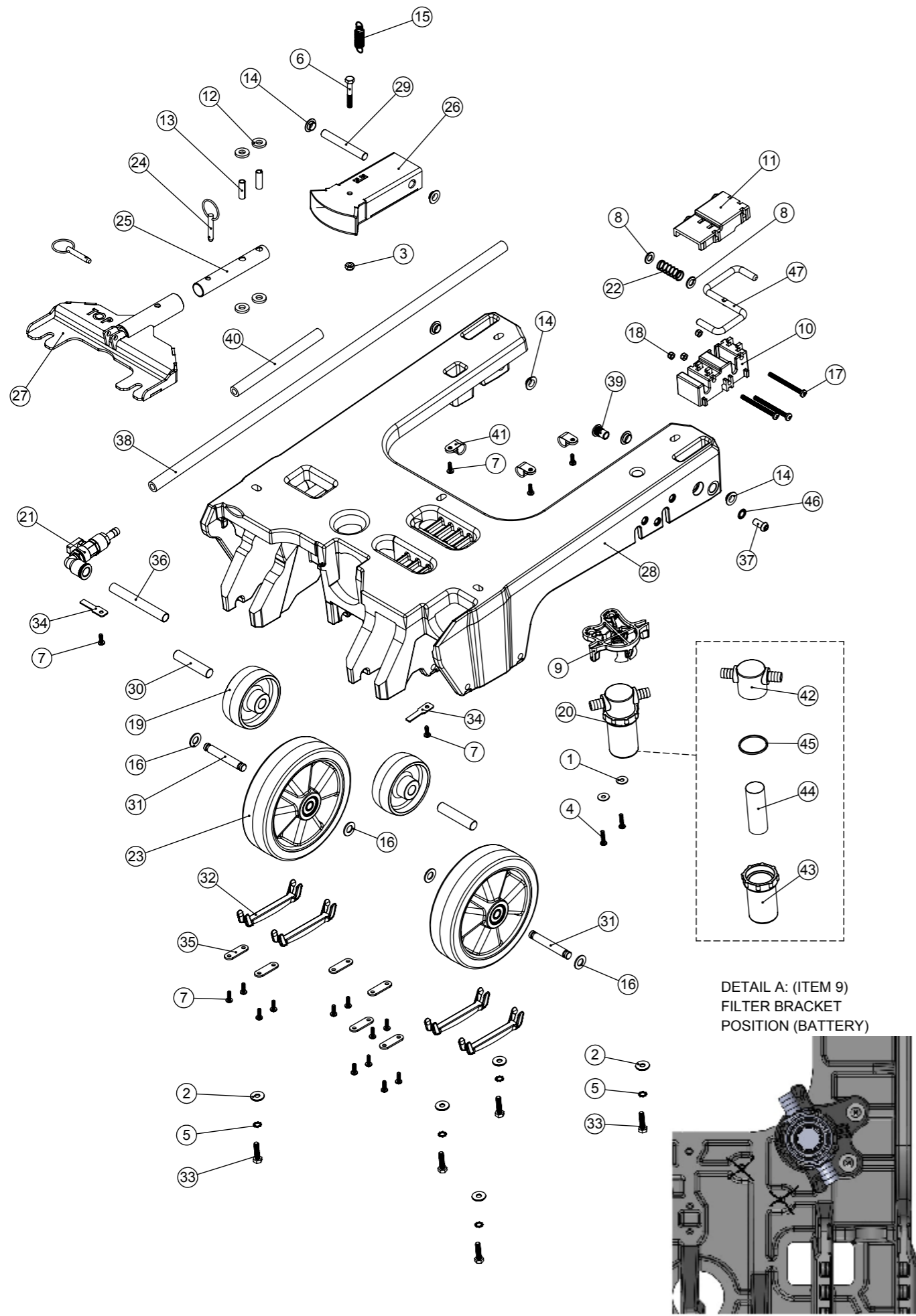
Numatic International Spare Parts

Model No: TGB 3045 CHASSIS ASSEMBLY EXPLODED VIEW

Internal Code: 903635

MS5 DRAWING: DRW-22933 ISS:A08

NB: FOR WIRING SEE DRAWING: DRW-22779



Numatic International Spare Parts

Model No: TGB 3045 CHASSIS ASSEMBLY EXPLODED VIEW

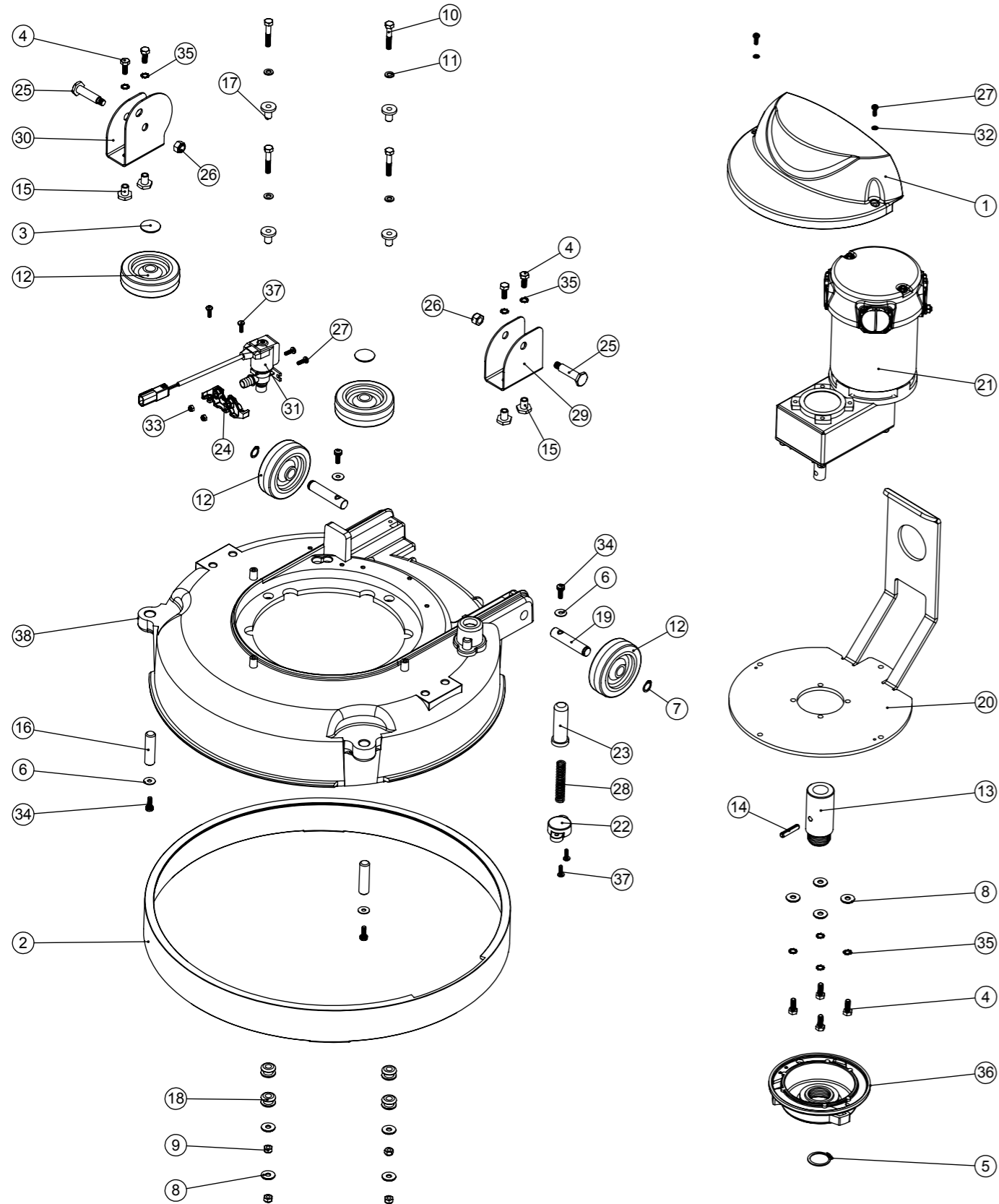
ITEM:	PART No:	DESCRIPTION	COMMENTS:	QTY.
1	219644	M5 FORM G STAINLESS STEEL WASHER		2
2	219647	M6 FORM G STAINLESS STEEL WASHER		5
3	219642	M6 STAINLESS STEEL NYLON INSERT NUT		1
4	219568	NO8.3/4 INCH LG.POZI-PAN.SCREW.STAINLESS STEEL.PLASTITE		2
5	902353	M6 EXTERNAL SHAKEPROOF WASHER STAINLESS STEEL		5
6	291125	M6 X 40 LONG HEX BOLT STAINLESS STEEL		1
7	219569	NO8.1/2 INCH. LG.POZI-PAN.SCREW.STAINLESS STEEL.PLASTITE		17
8	219578	M8 FORM A STAINLESS STEEL WASHER		2
9	901006	FILTER MOUNTING BRACKET	DETAIL A	1
10	901280	LATCH BLOCK BOTTOM MOULDING		1
11	901279	LATCH BLOCK TOP MOULDING		1
12	206964	SLIDE NYLON SPACER		4
13	206954	SPIRO SPACER		2
14	208312	IGUS BEARING (GFM 101205)		6
15	208619	FLOOR TOOL SPRING		1
16	219903	M10 FORM A STAINLESS STEEL WASHER		4
17	901558	M5 X 60MM STAINLESS STEEL POZI PAN MACHINE SCREW		3
18	219633	M5 STAINLESS STEEL NYLON INSERT NUT		3
19	206713	80MM DIAMETER WHITE WHEEL		2
20	208888	EXTENDED STRAINER		1
21	901543	12MM SWIVEL ELBOW PUSH FIT TO 10MM HOSE TAIL BALL VALVE ASSEMBLY		1
22	208578	DECK LOCK SPRING		1
23	208638	160mm WHEEL WITH POLYURETHENE TYRE		2
24	206953	DETENT PINS		2
25	304356	FLOOR TOOL PIVOT TUBE		1
26	304359	TT/TTB/4045/4055 SQUEEGEE MOUNT WELD ASSEMBLY		1
27	304466	FLOOR TOOL BRACKET ASSEMBLY (TT/TTB4045/4055)		1
28	903589	TT/B PLASTIC CHASSIS		1
29	903575	AXLE BAR ST/ST 10MM DIA. 75MM LONG		1
30	903576	AXLE BAR ST/ST 12.7MM DIA. 60MM LONG		2
31	903577	AXLE BAR ST/ST 10MM DIA. 68MM LONG		2
32	903597	AXLE CLIP		4
33	219925	M6 x 25MM LONG STAINLESS STEEL HEX SCREW		5
34	903594	TAP PLATE		2
35	903596	AXLE PLATE		6
36	903573	NYLON TUBE 12MM OD X 10MM ID (96MM +-1.0)		1
37	903566	M8X16MM LONG STAINLESS STEEL SOCKET BUTTON HEAD BOLT		1
38	903580	SILICON TUBE 640MM LONG X 8MM I/D X 14.4MM OD		1
39	903565	M8 STAINLESS STEEL HEADED NUTSERT		1
40	903581	SILICON TUBE 155MM LONG X 8MM I/D X 14.4MM OD		1
41	219465	P-CLIP		3
42	208827	STRAINER BLACK TOP	PART OF ITEM 20 (208888)	1
43	208890	68MM EXTENDED STRAINER CLEAR BOWL	PART OF ITEM 20 (208888)	1
44	208889	EXTENDED STRAINER 50 MESH SCREEN	PART OF ITEM 20 (208888)	1
45	208830	STRAINER GASKET	PART OF ITEM 20 (208888)	1
46	902520	M8 INTERNAL WASHER SHAKEPROOF STAINLESS STEEL		1
47	904440	DECK LATCH BAR		1

Numatic International Spare Parts

Model No: TGB 3045/4045 BRUSH DECK ASSEMBLY EXPLODED VIEW

Internal Code: 903634
 MS5 DRAWING: DRW-22932 ISS:A08

NB: FOR TGB 3045 WIRING SEE DRAWING: DRW-22779
 NB: FOR TGB 4045 WD: DRW-22704



Numatic International Spare Parts

Model No: TGB 3045/4045 BRUSH DECK ASSEMBLY EXPLODED VIEW

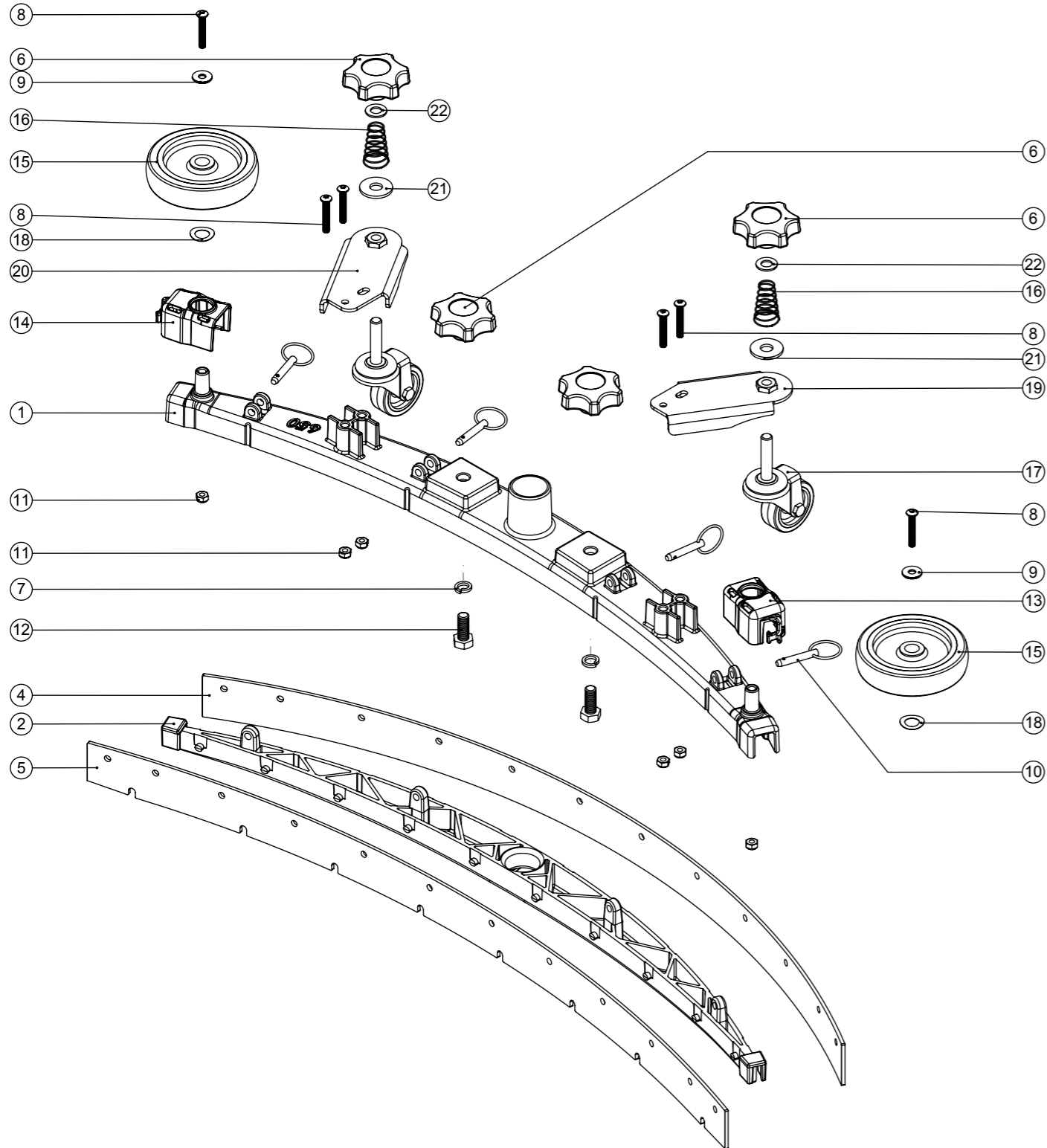
ITEM:	PART No:	DESCRIPTION	COMMENTS:	QTY.
1	237380	AMER MOTOR COVER		1
2	229644	450MM DIAMETER SPLASH SKIRT MOULDING		1
3	204021	12.7MM STAINLESS STEEL HUB CAP		2
4	219719	M6 X 16MM LONG HEXAGONAL STAINLESS STEEL HEAD BOLT		8
5	230048	26MM EXTERNAL CIRCLIP		1
6	219644	M5 FORM G STAINLESS STEEL WASHER		4
7	219345	12MM EXTERNAL CIRCLIP		2
8	219647	M6 FORM G STAINLESS STEEL WASHER		8
9	219642	M6 STAINLESS STEEL NYLON INSERT NUT		4
10	291127	M6 X 35 LONG HEX BOLT STAINLESS STEEL		4
11	219870	M6 FORM A WASHER STAINLESS STEEL		4
12	204068	3 INCH GREY WHEEL		4
13	208727	DRIVE SHAFT		1
14	291079	6MM X 30MM STAINLESS STEEL ROLL PIN		1
15	219606	BRACKET SPACER		4
16	206013	BUFFER WHEEL PIN		2
17	208011	MOTOR MOUNTING SPACER		4
18	229025	STANDARD GROMMET		4
19	229382	REAR WHEEL PIN		2
20	392362	MOTOR ADAPTOR PLATE PAINT SILVER GREY		1
21	205245	AMER 100RPM MOTOR		1
22	223242	PLUNGER MOUNTING PLATE MOULDING		1
23	229128	PLUNGER		1
24	902556	SOLENOID MOUNT MOULDING		1
25	206236	PIVOT PIN		2
26	219639	M8 STAINLESS STEEL NYLON INSERT NUT		2
27	219890	M4 X 12MM LONG POZI PAN STAINLESS STEEL SCREW		4
28	219394	COMPRESSION SPRING		1
29	392249	DECK MOUNT RH		1
30	392248	DECK MOUNT BRACKET		1
31	902949	TERMINATED SOLONOID CABLE.BLACK.125.0M5.2.24		1
32	291145	M4 SHAKEPROOF WASHER STAINLESS STEEL		2
33	219687	M4 STAINLESS STEEL NYLON INSERT NUT		2
34	291132	M5 X 16MM LONG STAINLESS STEEL POZI PAN SEMS SCREW		4
35	902353	M6 EXTERNAL SHAKEPROOF WASHER STAINLESS STEEL		8
36	230285	MODIFIED CHUCK (CRO)		1
37	219569	NO8. 1/2 INCH. LG.POZI-PAN.SCREW.STAINLESS STEEL.PLASTITE		4
38	229258	TT 345 GRAPHITE BASE MOULDING		1

Numatic International Spare Parts

Model No: 650 TWINTEC ALUMINIUM FLOOR TOOL (38MM HOSE, RED TRIM, SERILOR BLADES)

Internal Code: 903347
 DRAWING: DRW-22621 ISS:A05
 PRO 06/02/2017

NB: FOR WIRING SEE DRAWING: N/A



Numatic International Spare Parts

Model No: 650 TWINTEC ALUMINIUM FLOOR TOOL (38MM HOSE, RED TRIM, SERILOR BLADES)

ITEM:	PART No:	Description	Qty
1	208198	(650MM SCRUB WIDTH) ALUMINIUM SQUEEGEE CASTING (38MM HOSE FITTING)	1
2	903345	(650MM SCRUB WIDTH) RED BLADE HOLDER MOULDING (SLOPING PROFILE) (32MM & 38MM HOSE FITTING)	1
	900518	650 REPLACEMENT SERILOR GREEN POLYURETHANE BLADES SET	
4	208970	(650MM SCRUB WIDTH) REPLACEMENT (4.0MM / 35-45-35 SHORE A) REAR LAMINATED SERILOR POLY/BLADE (847MM LONG)	1
5	208967	(650MM SCRUB WIDTH) REPLACEMENT (3.2MM / 40 SHORE A) FRONT MONOLAYER SERILOR POLY/BLADE (819MM LONG)	1
6	903281	M10 LOBE KNOB (RED)	4
7	219899	M10 SINGLE COIL STAINLESS STEEL WASHER	2
8	219933	M6 X 35MM SOCKET BUTTON HEAD BOLT STAINLESS STEEL	6
9	219647	M6 FORM G STAINLESS STEEL WASHER	2
10	206953	DETENT PINS	4
11	219642	M6 STAINLESS STEEL NYLON INSERT NUT	6
12	219909	M10 X 25MM LONG HEXAGONAL STAINLESS STEEL SCREW	2
13	237322	RIGHT HAND FLOOR TOOL CLIP MOULDING	1
14	237323	LEFT HAND FLOOR TOOL CLIP MOULDING	1
15	208796	4 INCH WHEEL	2
16	229175	CONICAL SPRING	2
17	208497	50MM DIAMETER GREY TPR TYRED SWIVEL CASTORS C/W M10 X 45 SWAGED STEM.	2
18	219891	13MM WAVEY WASHER	2
19	304523	ADJUSTABLE FLOOR TOOL CASTOR PLATE RHS WELD ASSY	1
20	304522	ADJUSTABLE FLOOR TOOL CASTOR PLATE LHS WELD ASSY	1
21	291124	M10 PENNY WASHER STAINLESS STEEL	2
22	219903	M10 FORM A STAINLESS STEEL WASHER	2