

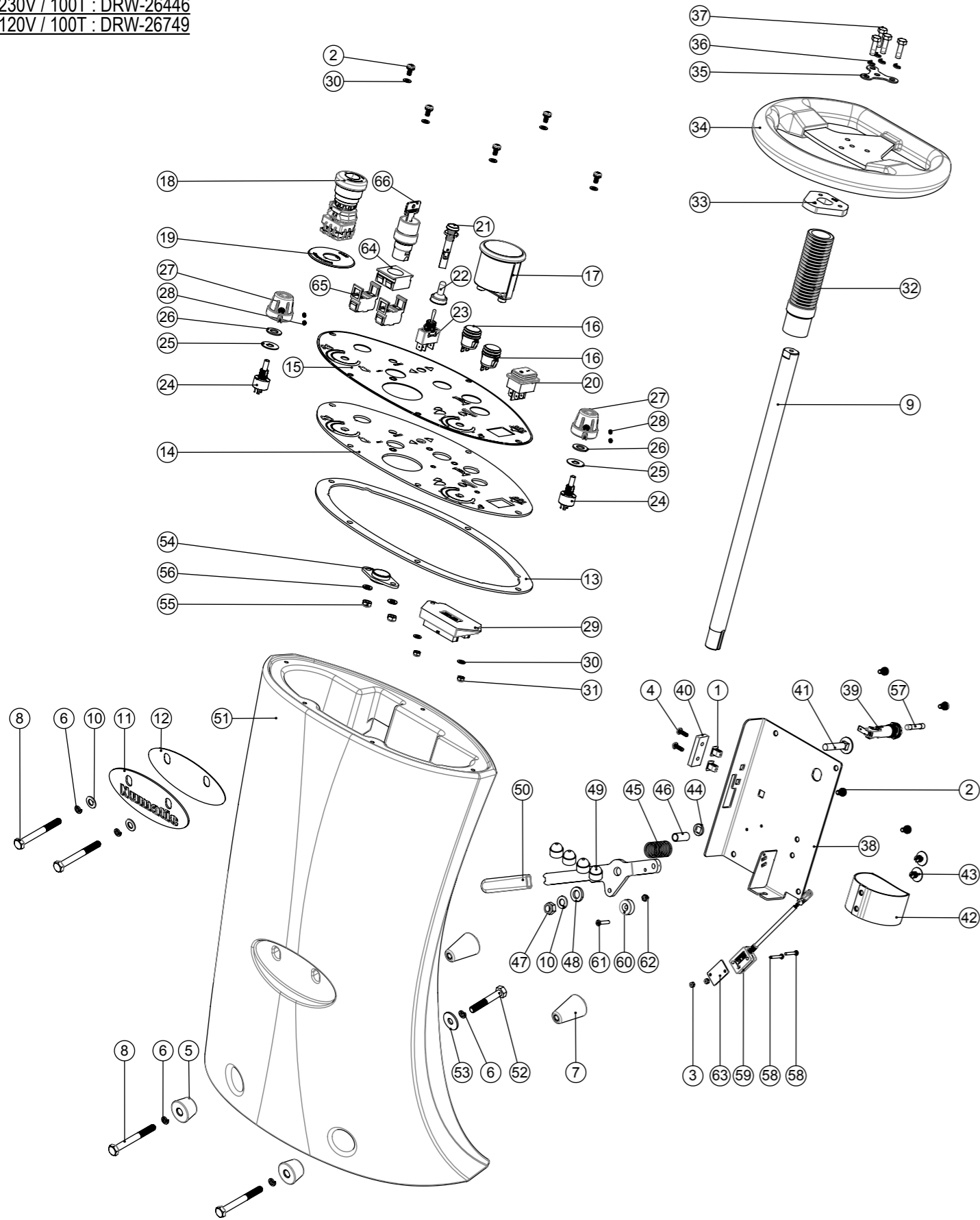
# Numatic International Spare Parts

**Model No:** CRG8055 & CRG8072 FRONT COLUMN ASSEMBLY

Internal Code: N/A  
DRAWING: DRW-26088 ISS:A10  
PRO 05/01/2018

NB: FOR WIRING SEE DRAWING:

230V / 120T : DRW-25826  
120V / 120T : DRW-26750  
230V / 100T : DRW-26446  
120V / 100T : DRW-26749



# Numatic International Spare Parts

**Model No:** CRG8055 & CRG8072 FRONT COLUMN ASSEMBLY

ITEM:	PART No:	DESCRIPTION	COMMENTS:	QTY
1	900986	NYLON GROMMET NUT (PLASTIC INSERT TO SUIT No 8 PLASTITE SCREW)		2
2	291135	M5 X 10MM LONG STAINLESS STEEL POZI PAN SEMS SCREW		9
3	291154	M3 NYLON INSERT NUT STAINLESS STEEL		2
4	219569	NO8.1/2 INCH. LG.POZI-PAN.SCREW.STAINLESS STEEL.PLASTITE		2
5	208904	TAPERED BUSH (CLEARANCE)		2
6	219898	M8 SINGLE COIL STAINLESS STEEL WASHER		5
7	208903	TAPERED BUSH (TAPPED)		2
8	902517	M8 X 70MM LONG HEX BOLT STAINLESS STEEL		4
9	906649	UPPER STEERING SHAFT (CRG)		1
10	219578	M8 FORM A STAINLESS STEEL WASHER		3
11	392433	NUMATIC NAME PLATE		1
	392461	NACECARE NAME PLATE	NACE ONLY	1
12	906731	NAME PLATE SPACER (RED P/P)		1
13	203040	CRO CONTROL PANEL GASKET (LOWER)		1
14	906632	CRG CONTROL PANEL C/W CLINCH STUDS PAINTED SIVER		1
15	906636	CRG CONTROL PANEL OVERLAY		1
16	906658	SEALED PUSHBUTTON SWITCH SINGLE POLE		2
17	902532	BATTERY DISCHARGE INDICATOR + HOUR METER 24V		1
18	904087	EMERGENCY STOP (A02ES-H)		1
19	904086	EMERGENCY NAME PLATE (A02-U27Y)		1
20	902235	SWITCH DPST RED ILLUMINATED WITH MEMBRANE 24V		1
21	907298	24V LED GREEN INDICATOR (H0275OSSG6)		1
22	206785	SWITCH COVER C/W NUT		1
23	206786	SWITCH		1
24	270316	POTENTIOMETER TYPE Pe30 22k OHMS 20% 3W (WITH PANEL SEAL) (ROUND SHAFT WITH FLAT / NO SLOT IN SHAFT END)		2
25	904094	SPEED CONTROL GASKET		2
26	219903	M10 FORM A STAINLESS STEEL WASHER		2
27	903498	SPEED ADJUSTMENT KNOB C/W INSERT (RED)		2
28	219744	M4 X 6MM LONG BLACKODISED GRUB SCREW		4
29	904179	Terminal Block Assembly		1
30	219355	M5 FORM A STAINLESS STEEL WASHER		7
31	219633	M5 STAINLESS STEEL NYLON INSERT NUT		2
32	280023	STEERING SHAFT COVER HOSE 135MM LONG		1
33	404214	STEERING WHEEL PLATE		1
34	208900	GSL 255MM STEERING WHEEL		1
35	392500	STEERING WHEEL TOP PLATE		1
36	219718	WASHER.M6.SPRING.STAINLESS STEEL		4
37	291144	M6 X 20MM LG HEX HEAD SCREW STAINLESS STEEL C/W THREADLOCK		4
38	906634	CRO FLOOR TOOL LIFTING HANDLE BRACKET WELD ASSY		1
39	903032	BULGIN PANEL MOUNT FUSEHOLDER		1
40	906635	GUIDER (PP)		1
41	291120	M8 X 40 CARRIAGE BOLT S/S		1
42	906639	BOTTLE PLATE (RED)		1
43	208024	PUSH IN BARBED FASTENER		2
44	906640	CARRIAGE BOLT SPACER		1
45	219592	COMPRESSION SPRING		1
46	906651	SPACER (S/S 10MM O/D 8MM I/D X 22MM LONG)		1
47	219639	M8 STAINLESS STEEL NYLON INSERT NUT		1
48	219964	NYLON WASHER (18MM O/D X 10.4MM I/D X 3MM THICK)		1
49	392431	FLOOR TOOL LIFTING HANDLE		1
50	903870	LEVER HANDLE MOULDING RED		1
51	903721	MINI RIDE ON STEERING COLUMN GRAPHITE		1
52	906704	M8 X 50MM LONG HEX BOLT STAINLESS STEEL		1
53	219716	M8 FORM G STAINLESS STEEL WASHER		1
54	208110	IGUS (R) 2 BOLT PLAIN BEARING 20MM I/D		1
55	219642	M6 STAINLESS STEEL NYLON INSERT NUT		2
56	219870	M6 FORM A WASHER STAINLESS STEEL		2
57	903066	FUSE 2.5A (6.3x32)		1
58	291155	M3 X 20MM LONG POZI PAN SCREW STAINLESS STEEL		2
59	904501	REED SWITCH ASSEMBLY		1
60	208382	MAGNET(19MM O/D)		1
61	907092	M4 X 20MM LG. POZI CSK SCREW (STAINLESS STEEL)		1
62	219687	M4 STAINLESS STEEL NYLON INSERT NUT		1
63	906617	REED SWITCH WASHER PLATE		1
64	907150	FIXING ADAPTER (020G)		1
65	907151	TERMINAL BLOCK N.O. (020E10)		2
66	907149	KEY SWITCH SELECTOR (020SCA1)	907208 SPARE KEYS	1
67	903260	BOLT AND NUT CAP		4

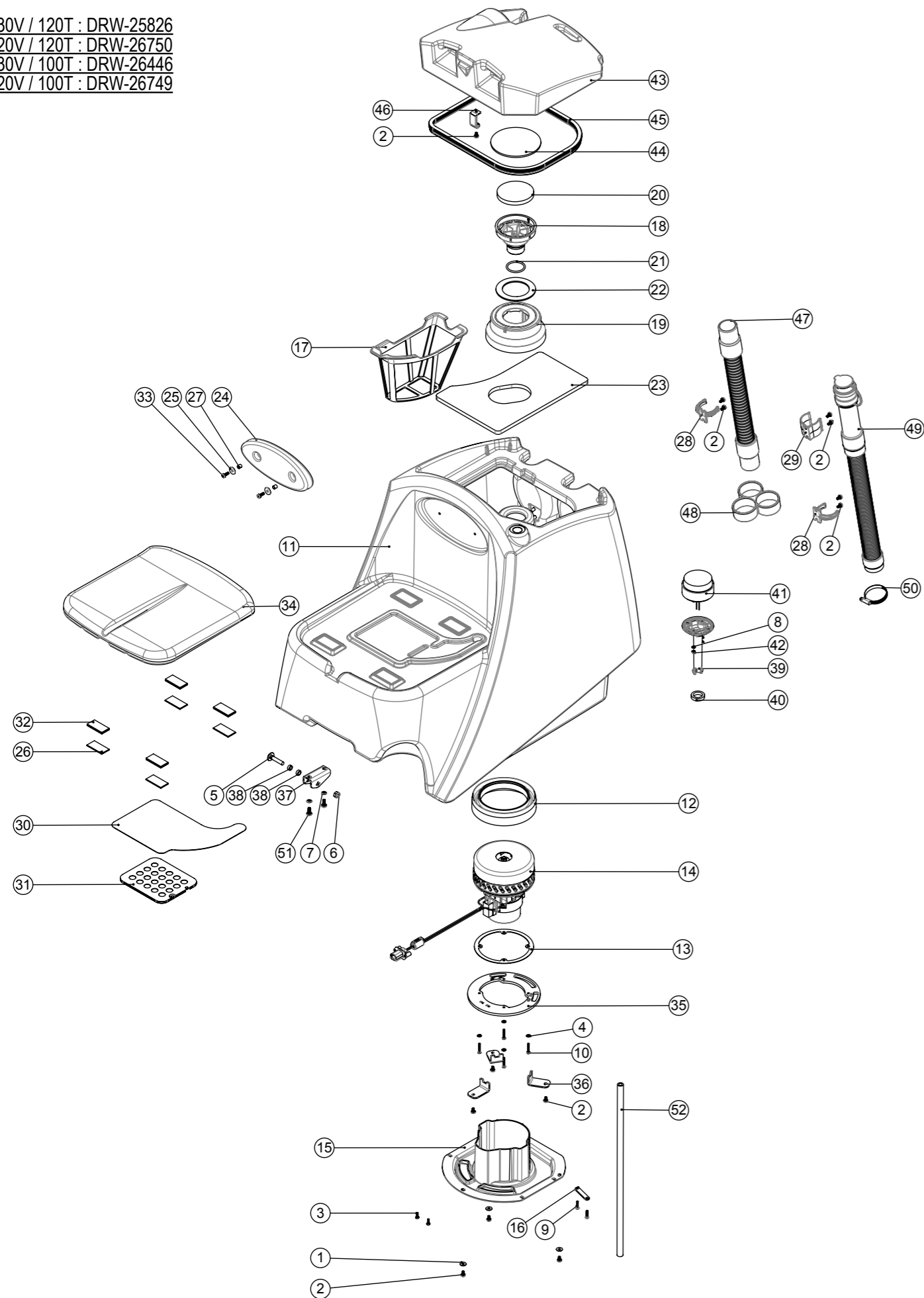
# Numatic International Spare Parts

**Model No:** CRG8055 & CRG8072 TOP TANK ASSEMBLY

Internal Code: N/A  
 DRAWING: DRW-26084 ISS:A05  
 PRO 05/01/2018

NB: FOR WIRING SEE DRAWING:

230V / 120T : DRW-25826  
 120V / 120T : DRW-26750  
 230V / 100T : DRW-26446  
 120V / 100T : DRW-26749



# Numatic International Spare Parts

**Model No:** CRG8055 & CRG8072 TOP TANK ASSEMBLY

ITEM:	PART No:	DESCRIPTION	COMMENTS:	QTY
1	219644	M5 FORM G STAINLESS STEEL WASHER		3
2	291135	M5 X 10MM LONG STAINLESS STEEL POZI PAN SEMS SCREW		13
3	219569	NO8. 1/2 INCH. LG.POZI-PAN.SCREW.STAINLESS STEEL.PLASTITE		2
4	219355	M5 FORM A STAINLESS STEEL WASHER		4
5	291120	M8 X 40 CARRIAGE BOLT S/S		1
6	219639	M8 STAINLESS STEEL NYLON INSERT NUT		1
7	219870	M6 FORM A WASHER STAINLESS STEEL		2
8	219688	M4 FORM A STAINLESS STEEL WASHER		2
9	219568	NO8.3/4 INCH LG.POZI-PAN.SCREW.STAINLESS STEEL.PLASTITE		2
10	219369	No8 X 1 INCH LONG POZI PAN STAINLESS STEEL PLASTITE SCREW		4
11	903722	MINI RIDE ON TOP TANK GRAPHITE		1
12	202069	BOTTOM MOTOR GASKET		1
13	202139	MOTOR GASKET		1
14	323258	VAC MOTOR 24V WITH PLUG AND FERRITE		1
15	237620	EXHAUST DIVERter MOULDING		1
16	392496	WIRE RETAINER		1
17	903542	GRIT FILTER BASKET (RED)		1
18	237618	AIR FILTER MOULDING		1
19	237619	VAC SHUT OFF MOULDING		1
20	208861	AIR FILTER		1
21	208860	O RING 39MM ID X 3.5MM DIA.		1
22	208858	LOWER SEALING RING		1
23	208980	CRO FOAM PAD		1
24	208864	BACK PAD MOULDING		1
25	291118	M5 STAINLESS STEEL WASHER 19MM OD		2
26	208865	VELCRO LOOP 50 X 25 SELF ADHESIVE BACKED		4
27	208475	8MM SPACER		2
28	237754	35-38MM HOSE CLIP		2
29	237382	ACETAL HOSE CLIP MOULDING		1
30	208983	SEAT SWITCH FLEXIBLE MEMBRANE		1
31	323290	PRESSURE PAD		1
32	280003	50MM X 25MM BACK TO BACK (HOOK & LOOP)		4
33	291132	M5 X 16MM LONG STAINLESS STEEL POZI PAN SEMS SCREW		2
34	208862	SEAT MOULDING		1
35	906638	CRO MOTOR MOUNT PLATE		1
36	906637	CRO VAC MOTOR SUPPORT BRACKET		3
37	392455	GAS STRUT BRACKET - CARRIAGE BOLT		1
38	291121	NYLON SPACER I/D 8.2MM X O/D 12MM X 5MM LG		2
39	237681	BEACON MOUNT		1
40	208984	32MM O/D X 22MM I/D X 7MM SELF ADHESIVE GASKET		1
41	208867	FLASHING XENON BEACON X80 SERIES		1
42	219687	M4 STAINLESS STEEL NYLON INSERT NUT		2
43	903725	MINI RIDE ON SEPARATOR GRAPHITE		1
44	208899	UPPER SEALING DISC		1
45	304503	1045mm LONG SEALING STRIP		1
46	330200	CRO SEPARATOR BRACKET ASSY		1
47	213061	SUCTION HOSE 1330MM X Ø38MM		1
48	237718	HOSE GUIDE		1
49	902468	35MM X 180MM STRETCH HOSE (3:1) C/W ADJUSTABLE CUFF + CAP		1
50	219919	32MM-50MM STAINLESS STEEL HOSE CLIP		1
51	219646	M6 X 16MM LONG POZI PAN STAINLESS STEEL SCREW		2
52	391528	EXHAUST DIVERter DRAIN HOSE 500MM LG		1

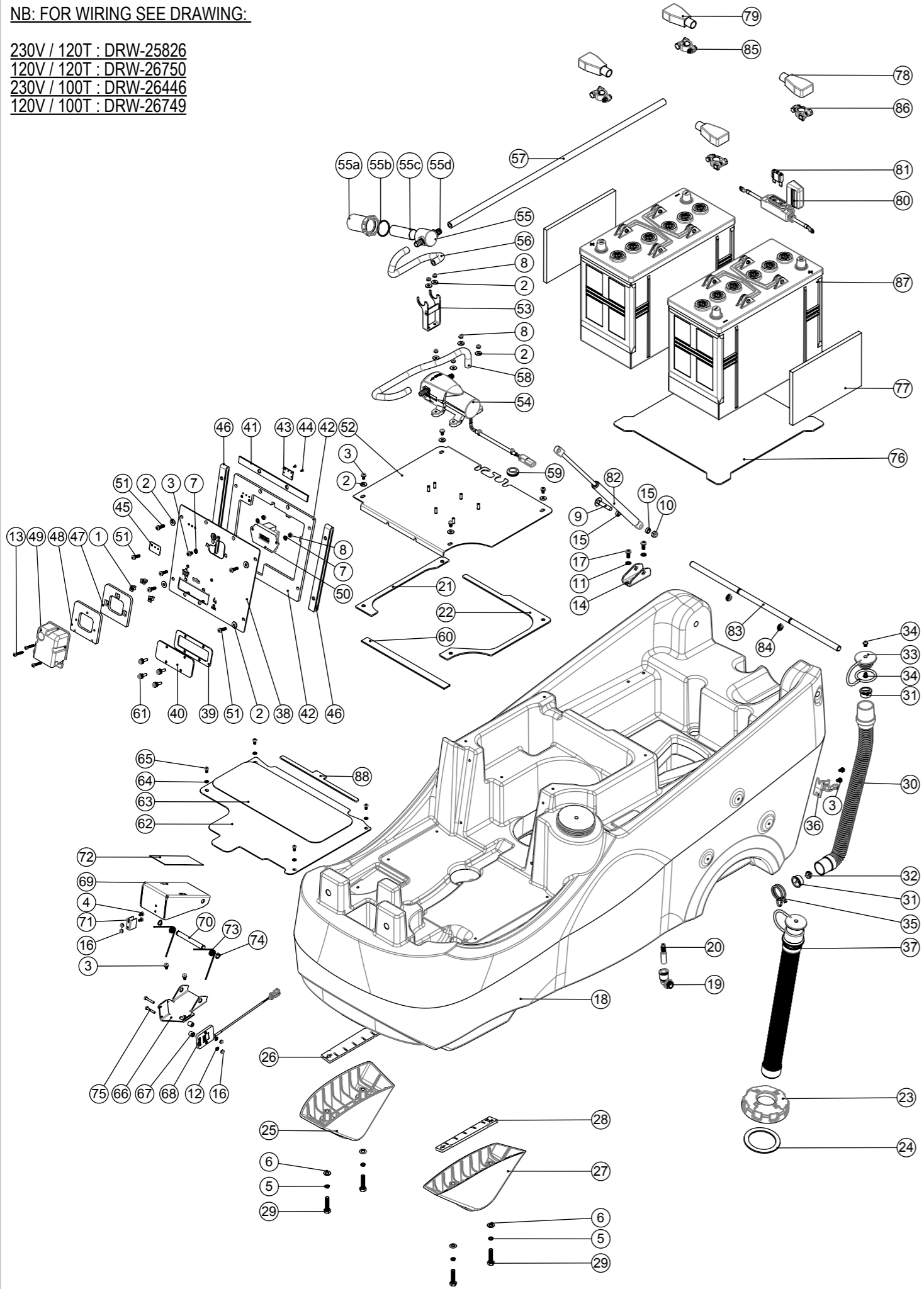
# Numatic International Spare Parts

**Model No:** CRG8055 & CRG8072 BOTTOM TANK ASSEMBLY

NB: FOR WIRING SEE DRAWING:

- 230V / 120T : DRW-25826
- 120V / 120T : DRW-26750
- 230V / 100T : DRW-26446
- 120V / 100T : DRW-26749

Internal Code: N/A  
 DRAWING: DRW-26086 ISS:A10  
 PRO 05/01/2018



# Numatic International Spare Parts

**Model No:** CRG8055 & CRG8072 BOTTOM TANK ASSEMBLY

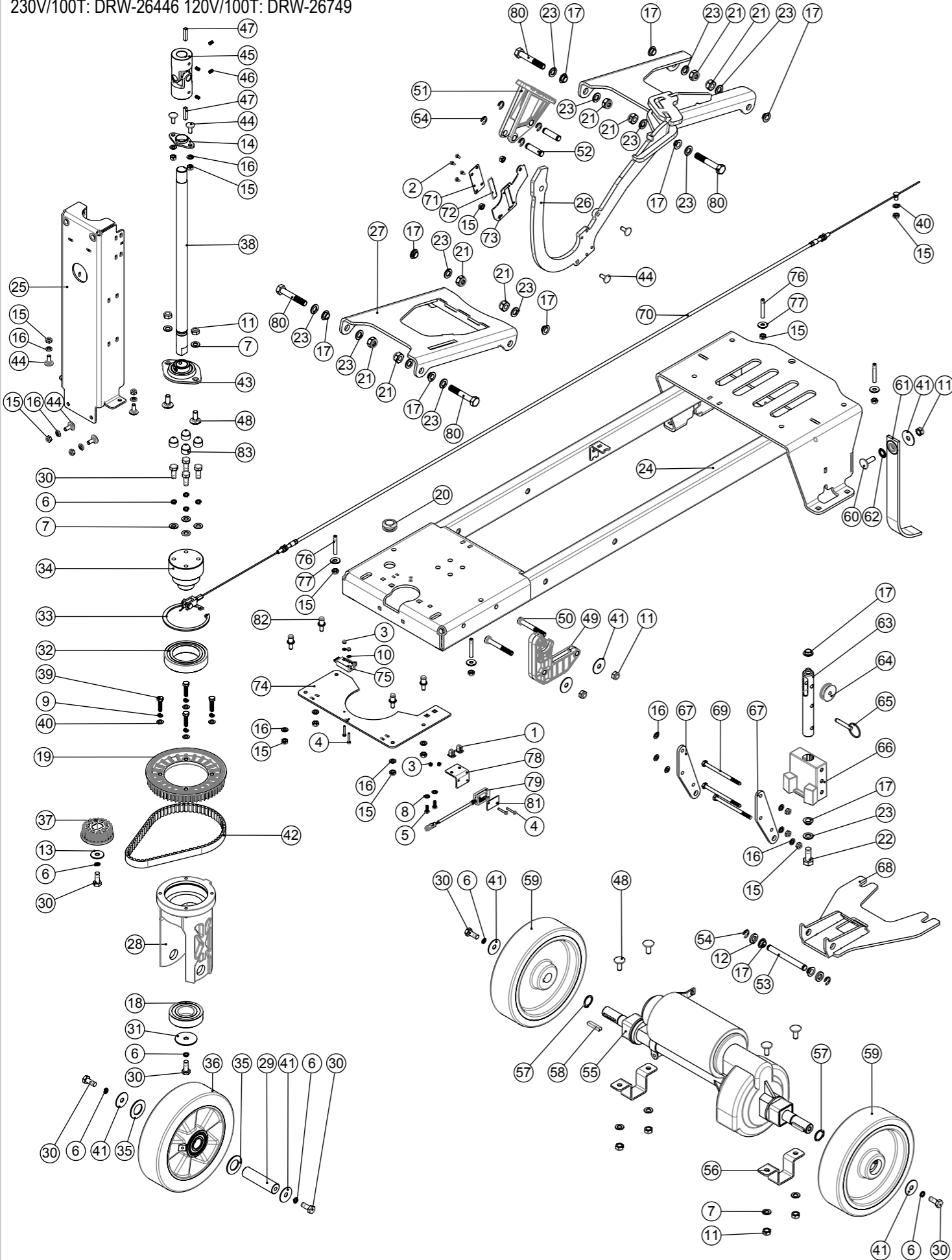
ITEM:	PART No:	DESCRIPTION	COMMENTS:	QTY
1	900986	NYLON GROMMET NUT (PLASTIC INSERT TO SUIT No 8 PLASTITE SCREW)		3
2	219644	M5 FORM G STAINLESS STEEL WASHER		14
3	291135	M5 X 10MM LONG STAINLESS STEEL POZI PAN SEMS SCREW		9
4	219697	M4 X 8MM LONG POZI PAN STAINLESS STEEL SCREW		2
5	219898	M8 SINGLE COIL STAINLESS STEEL WASHER		4
6	219578	M8 FORM A STAINLESS STEEL WASHER		4
7	219355	M5 FORM A STAINLESS STEEL WASHER		3
8	219633	M5 STAINLESS STEEL NYLON INSERT NUT		8
9	291120	M8 X 40 CARRIAGE BOLT S/S		1
10	219639	M8 STAINLESS STEEL NYLON INSERT NUT		1
11	219870	M6 FORM A WASHER STAINLESS STEEL		2
12	219688	M4 FORM A STAINLESS STEEL WASHER		2
13	219369	No8 X 1 INCH LONG POZI PAN STAINLESS STEEL PLASTITE SCREW		3
14	392455	GAS STRUT BRACKET - CARRIAGE BOLT		1
15	291121	NYLON SPACER I/D 8.2MM X O/D 12MM X 5MM LG		2
16	219687	M4 STAINLESS STEEL NYLON INSERT NUT		4
17	219646	M6 X 16MM LONG POZI PAN STAINLESS STEEL SCREW		2
18	237682	MINI RIDE ON BOTTOM TANK		1
19	901539	ELBOW ANGLE CONNECTOR 3/8 PARALLEL THREAD C/W O-RING TO 12MM PUSH IN		1
20	901534	PUSH IN BARBED CONNECTOR - 12MM OD 8MM ID		1
21	203028	CRO PUMP PLATE GASKET RH		1
22	203027	CRO PUMP PLATE GASKET LH		1
23	237174	FILLER CAP WITH FILLER HOSE HOLE		1
24	208564	FILLER CAP SEALING RING		1
25	237684	BOTTOM TANK SCUFF MOULDING RHS		1
26	392464	RHS SCUFF MOULDING SPACER		1
27	237685	BOTTOM TANK SCUFF MOULDING LHS		1
28	392465	LHS SCUFF MOULDING SPACER		1
29	291112	M8 X 40 LONG HEX BOLT STAINLESS STEEL		4
30	208938	25MM X 455MM LG DUMP HOSE		1
31	904108	FLOAT STOP MOULDING		2
32	904109	FLOAT MOULDING		1
33	903341	32MM HOSE CAP RED (C/W 8MM HOLE)		1
34	904403	BARBED RIVET BLACK		2
35	902133	SPRING WIRE CLAMP (YDNAC-Y8010356)		1
36	901916	28mm HOSE CLIP		1
37	903696	28MM X 370MM LONG 3:1 STRETCH HOSE C/W RED CAP & STRAP		1
38	906657	ELECTRONICS FRONT COVER ASSY PAINTED SILVER (CRG)		1
39	906659	FUSE PANEL GASKET (CRG)		1
40	906655	FUSE PANEL COVER		1
41	906663	FRONT COVER TOP GASKET		1
42	906654	ELECTRONICS FRONT COVER SPACER PLATE (CRG)		1
43	280002	CHARGER LED DISPLAY PCB		1
44	219978	M2 X 6MM LONG POZI PAN SCREW		2
45	208978	CHARGER LIGHTS OVERLAY		1
46	280008	FRONT COVER PLATE GASKET		2
47	904505	IEC SOCKET SPACER PP		1
48	904504	IEC SOCKET SECONDARY SPACER PP		1
49	904032	240V EMI FILTER WITH SOCKET COVER ASSEMBLY C/W FLAP		1
	906495	120V EMI FILTER (10A) WITH SOCKET COVER ASSEMBLY C/W FLAP	120V 20A CHARGER	1
	904033	120V EMI FILTER WITH SOCKET COVER ASSEMBLY C/W FLAP	120V 10A CHARGER	1
50	906722	BRUSH ENGAGE PCB ASSEMBLY		1
51	291133	M5 X 20MM LONG STAINLESS STEEL POZI PAN SEMS SCREW		6
52	392419	CRO PUMP AND FILTER PLATE CLINCH STUD ASSY		1
53	304521	FILTER PLATE ASSEMBLY		1
54	230278	WATER PUMP ASSEMBLY		1
55a	208888	EXTENDED STRAINER		1
55b	208890	EXTENDED STRAINER CLEAR BOWL	SPARE PART	1
55c	208830	STRAINER GASKET	SPARE PART	1
55d	208889	EXTENDED STRAINER 50 MESH SCREEN	SPARE PART	1
56	208827	STRAINER BLACK TOP	SPARE PART	1
57	391525	CRO FILTER TO PUMP TUBE 300MM LG		1
58	391526	CRO TANK TO FILTER TUBE 700MM LG		1
	904296	CRO PUMP TO FLOW DIVIDER TUBE 470MM LG	CRG8072	1
	391527	CRO PUMP TO BRUSH DECK SILICON TUBE 980MM LG	CRG8055	1
59	219934	GROMMET	CRG8072 USE 2	1
60	906664	3MM X 19MM INSEAL TYPE 3259 (270MM)		1
61	904491	M5 x16MM SLOT KNURLED THUMB SCREW NYLON (WHITE)		4
62	392421	FOOT PLATE		1
63	208998	ANTI-SLIP TREAD PAD (SELF ADHESIVE)		1
64	291084	WASHER.M5.SHAKEPROOF.STAINLESS STEEL		4
65	291004	M5 X 10MM LONG STAINLESS STEEL BUTTON HEAD SCREW		4
66	329841	ACCELERATOR HINGE PLATE		1
67	219574	NYLON SPACER		2
68	907090	GILL SENSOR ASSEMBLY C/W EDAC 5 WAY PLUG		1
69	329840	ACCELERATOR PEDAL COVER		1
70	208046	CIRCLIP BAR		1
71	404051	GILL SENSOR ACTIVATOR PLATE (PAINTED ANTHRACITE GREY)		1
72	903855	ACCELERATOR GRIP PAD (RED)		1
73	208047	TORSION SPRING (LEFT HAND)		2
74	219586	10MM EXTERNAL CIRCLIP		2
75	291165	M4 X 25MM LONG POZI SCREW STAINLESS STEEL		2
76	392501	BATTERY PLATE		1
77	208645	FOAM BATTERY SPACER		2
78	907478	RED BATTERY TERMINAL COVER (Ø15.9)		2
79	907479	BLACK BATTERY TERMINAL COVER (Ø15.9)		2
80	903172	WATERPROOF BATTERY FUSE HOLDER.210MM		1
81	221047	40 AMP MAXI FUSE		1
82	208907	GAS STRUT C/W END FITTINGS 100NM		1
83	208902	MINI RIDE ON PIVOT BAR		1
84	208072	PLASTIC FIXING RING		2
85	220455	BATTERY TERMINAL CONVERTOR	120Ah MODELS	2
86	220454	POSITIVE BATTERY TERMINAL CONVERTOR	120Ah MODELS	2
87	230262	SONNENSCHIEIN 120AH BATTERY	120Ah MODELS	2
	230138	98 A/H STUD TERMINAL GEL TYPE BATTERY	100Ah MODELS (SPARE 205112)	2
88	280014	FOOT PLATE EDGE SEAL		1

# Numatic International Spare Parts

**Model No:** CRG8055 & CRG8072 CHASSIS ASSEMBLY

Internal Code: N/A  
 DRAWING: DRW-26083 ISS:A07  
 PRO 05/01/2018

NB: FOR WIRING SEE DRAWING:  
 230V/120T: DRW-25826 120V/120T: DRW-26750  
 230V/100T: DRW-26446 120V/100T: DRW-26749



# Numatic International Spare Parts

**Model No:** CRG8055 & CRG8072 CHASSIS ASSEMBLY

ITEM:	PART No:	DESCRIPTION	COMMENTS:	QTY
1	900986	NYLON GROMMET NUT (PLASTIC INSERT TO SUIT No 8 PLASTITE SCREW)		2
2	208963	SNAP BLACK RIVET (REF SR-3055B)		4
3	291154	M3 NYLON INSERT NUT STAINLESS STEEL		4
4	291155	M3 X 20MM LONG POZI PAN SCREW STAINLESS STEEL		4
5	219569	NO8. 1/2 INCH. LG. POZI-PAN. SCREW. STAINLESS STEEL. PLASTITE		2
6	219898	M8 SINGLE COIL STAINLESS STEEL WASHER		10
7	219578	M8 FORM A STAINLESS STEEL WASHER		10
8	219355	M5 FORM A STAINLESS STEEL WASHER		2
9	219718	WASHER. M6. SPRING. STAINLESS STEEL		4
10	219501	M3 FORM A STAINLESS STEEL WASHER		2
11	219639	M8 STAINLESS STEEL NYLON INSERT NUT		9
12	219964	NYLON WASHER (18MM O/D X 10.4MM I/D X 3MM THICK)		2
13	219716	M8 FORM G STAINLESS STEEL WASHER		1
14	208110	IGUS (R) 2 BOLT PLAIN BEARING 20MM I/D		1
15	219642	M6 STAINLESS STEEL NYLON INSERT NUT		20
16	219870	M6 FORM A WASHER STAINLESS STEEL		16
17	208330	IGUS BEARING (GFM 101206)		12
18	208878	BEARING I/D30MM O/D62MM		1
19	237680	LARGE PULLEY 56TH		1
20	208143	20MM GROMMET X 6MM PANEL THICKNESS		1
21	219897	M10 STAINLESS STEEL NYLON INSERT NUT		8
22	291141	M10 X 25MM LG HEX HEAD SCREW STAINLESS STEEL C/W THREADLOCK		1
23	291163	NYLON WASHER 18MM O/D X 10.5MM I/D X 2MM		13
24	906674	CRG CHASSIS WELD ASSEMBLY PAINTED SILVER		1
25	906647	STEERING COLUMN SUPPORT ASSEMBLY PAINTED SILVER		1
26	906681	DECK LINK & PEDAL ARM WELD ASSY (CRG) Z/PL		1
27	906668	PEDAL LINK ARM WELD ASSEMBLY (CRG) Z/PL		1
28	208869	STEERING YOKE		1
29	291110	AXLE 20MM OD X 77MM LONG		1
30	291140	M8 X 20MM LG HEX HEAD SCREW STAINLESS STEEL C/W THREADLOCK		10
31	392381	STEERING WASHER		1
32	208871	BEARING I/D50MM O/D80MM		1
33	208872	80MM INTERNAL CIRCLIP		1
34	291109	STEERING SPIGOT		1
35	291162	M20 FORM B STAINLESS STEEL WASHER		2
36	204120	WICKE 200 X 50MM ALU WHEEL		1
37	237679	SMALL PULLEY 22TH		1
38	906648	LOWER STEERING SHAFT (CRG)		1
39	219925	M6 x 25MM LONG STAINLESS STEEL HEX SCREW		4
40	219560	M6 FORM B STAINLESS STEEL WASHER		5
41	219877	M8 X 30 STAINLESS STEEL WASHER		7
42	208897	BELT (GATES-GT3 560 8MGT 15MM)		1
43	208884	2 PART PRESSED FLANGE BEARING		1
44	291103	M6 X 16 COACH BOLT S/S		8
45	206936	UNIVERSAL JOINT		1
46	219784	M5 X 8MM LONG BLACKODISED GRUB SCREW		4
47	905374	UNIVERSAL JOINT KEY	SPARE PART	2
48	291104	M8 X 20 COACH BOLT S/S		6
49	237677	LATCH MOULDING		1
50	291157	M8 X 60MM LONG HEX BOLT STAINLESS STEEL		2
51	903860	PEDAL MOULDING (RED)		1
52	291097	38 X10MM BAR (E TYPE CLIP)		2
53	291098	94 X10MM BAR (E TYPE CLIP)		1
54	291107	E TYPE CLIP (TO SUIT 10mm BAR)		6
55	205190	530MM ASI TRANSAXLE 21:1 HIGH SPEED (MK400)		1
56	329780	TRANSAXLE CLAMP		2
57	219889	19MM HEAVY DUTY CIRCLIP		2
58	206744	6MM X 6MM X 32MM FEATHER KEY		2
59	901209	200 X 50 TRACTION WHEEL (PLASTIC)		2
60	902010	M8 X 25 COACH BOLT S/S		1
61	903683	ANTI-STATIC STRAP (CUT TO LENGHT: 270MM LONG)		1
62	291062	M10 INTERNAL LOCK WASHER STAINLESS STEEL		1
63	291100	SQUEEGEE PIVOT BAR		1
64	208898	NYLON PULLEY 32MM OD		1
65	206953	DETENT PINS		1
66	237676	MULTI BLOCK MOULDING		1
67	392436	PIVOT SIDE PLATE		2
68	304516	MOOSE PLATE WELD ASSEMBLY		1
69	291021	M6 X 90MM LONG STAINLESS STEEL HEXAGONAL HEAD BOLT		3
70	291099	CRO 8055 SQ. LIFT CABLE		1
71	906662	MAGNET COVER (CRG)		1
72	906661	MAGNET (50 x 10 x 1.5mm)		1
73	906669	CRG MAGNET HOLDER PLATE M/S PAINTED SILVER		1
74	906652	CRG SWITCH PLATE		1
75	208986	IP RATED MICROSWITCH WITH ROLLER		1
76	291158	M6 X 40MM LONG GRUB SCREW STAINLESS STEEL C/W THREADLOCK		4
77	219647	M6 FORM G STAINLESS STEEL WASHER		4
78	906653	CRG REED SWITCH BRACKET		1
79	904501	REED SWITCH ASSEMBLY		1
80	219894	M10 X 60MM LONG HEXAGONAL STAINLESS STEEL BOLT		4
81	906617	REED SWITCH WASHER PLATE		1
82	907241	M6 X 15 RIVET STUD		4
83	903260	BOLT AND NUT CAP		4

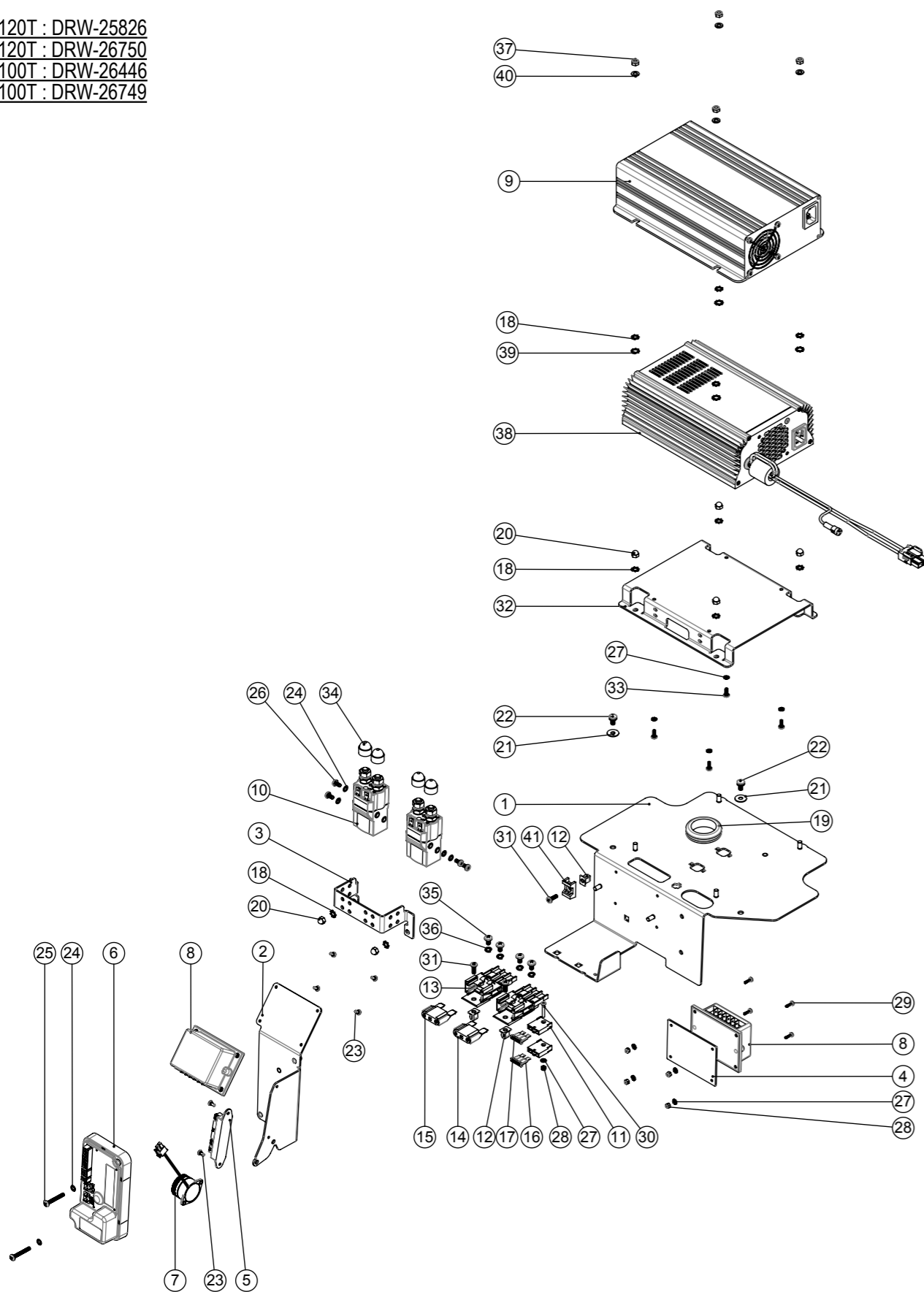
# Numatic International Spare Parts

**Model No:** CRG8055 & CRG8072 ELECTRONICS ASSEMBLY

Internal Code: N/A  
 DRAWING: DRW-26081 ISS:A05  
 PRO 05/01/2018

NB: FOR WIRING SEE DRAWING:

230V / 120T : DRW-25826  
 120V / 120T : DRW-26750  
 230V / 100T : DRW-26446  
 120V / 100T : DRW-26749



# Numatic International Spare Parts

**Model No:** CRG8055 & CRG8072 ELECTRONICS ASSEMBLY

ITEM:	PART No:	DESCRIPTION	COMMENTS:	QTY
1	906644	CHARGER PLATE C/W CLINCH STUDS PAINTED SILVER		1
2	906642	MOTOR CONTROLLER PLATE ASSEMBLY PAINTED SILVER		1
3	906650	CONTACTOR BRACKET (CRG) M/S PAINTED SILVER		1
4	906660	MOTOR CONTROLLER ALI PLATE		1
5	208909	POTTED TERMINAL BLOCK ASSEMBLY		1
6	906686	PROGRAMMED 70A MOTOR CONTROLLER (CRG)		1
7	906671	24V DC BUZZER C/W CONNECTOR		1
8	905341	KEMO PWM POWER CONTROL 10A M171		2
9	230261	NUMATIC 600W CHARGER	120Ah MODELS	1
10	903736	24V ALBRIGHT CONTACTOR (SU60-2009)		2
11	906564	ATO FUSE HOLDER (FKH SERIES)		2
12	900986	NYLON GROMMET NUT (PLASTIC INSERT TO SUIT No 8 PLASTITE SCREW)		3
13	230102	FUSE HOLDER RATED AT 60 AMPS		2
14	230104	30 AMP MAXI FUSE		1
15	221091	20 AMP MAXI FUSE		1
16	906573	10 AMP FUSE		1
17	905570	4 AMP FUSE		1
18	291020	M5 STAINLESS STEEL EXTERNAL SHAKEPROOF LOCK WASHER		12
19	208029	GROMMET (32MM I/D)		1
20	219645	M5 STAINLESS STEEL DOME NUT		8
21	219644	M5 FORM G STAINLESS STEEL WASHER		2
22	291135	M5 X 10MM LONG STAINLESS STEEL POZI PAN SEMS SCREW		2
23	208963	SNAP BLACK RIVET (REF SR-3055B)		6
24	291145	M4 SHAKEPROOF WASHER STAINLESS STEEL		6
25	219913	M4 X 30MM LONG POZI PAN STAINLESS STEEL SCREW		2
26	219697	M4 X 8MM LONG POZI PAN STAINLESS STEEL SCREW		4
27	904219	M3 STAINLESS STEEL EXTERNAL SHAKEPROOF WASHER		9
28	291154	M3 NYLON INSERT NUT STAINLESS STEEL		5
29	902534	M3 X 10MM LONG POZI PAN SCREW STAINLESS STEEL		4
30	291155	M3 X 20MM LONG POZI PAN SCREW STAINLESS STEEL		1
31	219569	NO8. 1/2 INCH. LG. POZI-PAN. SCREW. STAINLESS STEEL. PLASTITE		3
32	906846	CHARGER PLATE CRG (NORD) M/S PAINTED SILVER	MODELS WITH NORD CHARGER	1
33	902533	No6 X 3/8 INCH LONG POZI PAN SELF TAP SCREW STAINLESS STEEL	MODELS WITH NORD CHARGER	4
34	903260	BOLT AND NUT CAP		4
35	219864	M5 X 8MM LONG POZI-PAN SCREW Z/PL		4
36	219861	M5 SINGLE COIL STAINLESS STEEL WASHER		4
37	219633	M5 STAINLESS STEEL NYLON INSERT NUT		4
38	907222	230V / 24V 10AMP HF NORD CHARGER	230V 10A CHARGER	1
	907223	120V / 24V 10AMP HF NORD CHARGER	120V 10A CHARGER	1
39	902353	M6 EXTERNAL SHAKEPROOF WASHER STAINLESS STEEL		4
40	219355	M5 FORM A STAINLESS STEEL WASHER		4
41	220904	CABLE CLIP PLATFORM		1

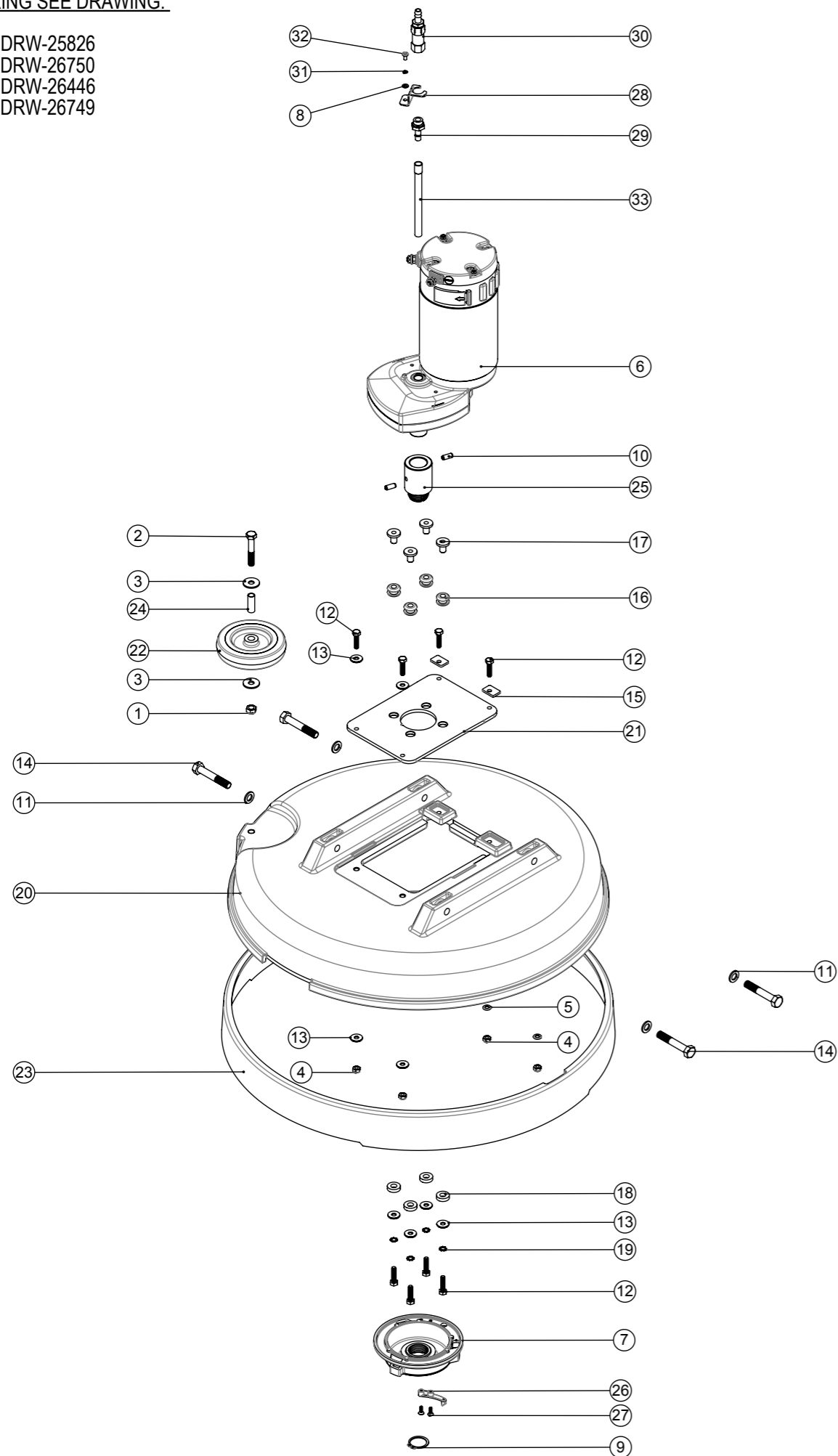
# Numatic International Spare Parts

**Model No:** CRG8055 BRUSH DECK ASSEMBLY

Internal Code: N/A  
 DRAWING: DRW-26082 ISS:A04  
 PRO 05/01/2018

NB: FOR WIRING SEE DRAWING:

230V / 120T : DRW-25826  
 120V / 120T : DRW-26750  
 230V / 100T : DRW-26446  
 120V / 100T : DRW-26749



# Numatic International Spare Parts

**Model No:** CRG8055 BRUSH DECK ASSEMBLY

ITEM:	PART No:	DESCRIPTION	COMMENTS:	QTY
1	219639	M8 STAINLESS STEEL NYLON INSERT NUT		1
2	906704	M8 X 50MM LONG HEX BOLT STAINLESS STEEL		1
3	219716	M8 FORM G STAINLESS STEEL WASHER		2
4	219642	M6 STAINLESS STEEL NYLON INSERT NUT		4
5	219870	M6 FORM A WASHER STAINLESS STEEL		2
6	205192	MRP6 IP20 AMER MOTOR		1
7	230285	MODIFIED CHUCK (CRO)		1
8	219688	M4 FORM A STAINLESS STEEL WASHER		1
9	230048	26MM EXTERNAL CIRCLIP		1
10	291139	6MM X 16MM STAINLESS STEEL ROLL PIN		2
11	291163	NYLON WASHER 18MM O/D X 10.5MM I/D X 2MM		4
12	219925	M6 x 25MM LONG STAINLESS STEEL HEX SCREW		8
13	219647	M6 FORM G STAINLESS STEEL WASHER		8
14	219894	M10 X 60MM LONG HEXAGONAL STAINLESS STEEL BOLT		4
15	906862	FIXING SPACER		2
16	229025	STANDARD GROMMET		4
17	208011	MOTOR MOUNTING SPACER		4
18	906861	SPACER Ø9MM ID X Ø19MM OD X 5MM		4
19	902353	M6 EXTERNAL SHAKEPROOF WASHER STAINLESS STEEL		4
20	906863	DECK MOULDING (PROCESSED)		1
21	906865	MOTOR PLATE (CRG8055) Z/PL		1
22	303942	100MM DIA WHEEL MODIFIED BORE (10.1MM DIAMETER)		1
23	237609	550MM SPLASH SKIRT		1
24	391523	S/S 10MM O/D 8MM I/D X 28MM LONG		1
25	208933	MINI RIDE ON DRIVE SHAFT		1
26	237730	SPRING CLIP		1
27	219683	No6 X 3/8 INCH LONG POZI PAN BLACK COUNTERSUNK PLASTITE SCREW		2
28	392405	NRV MOUNTING BRACKET		1
29	208965	8MM X ¼" BSP MALE STAND PIPE NICKEL PLATED (17MM A/F)		1
30	208966	NON RETURN VALVE C/W 10MM HOSE TAIL NICKEL PLATED		1
31	291146	M4 SINGLE COIL SPRING WASHER STAINLESS STEEL		1
32	291164	M4 X 8MM LONG TORX PAN TAPTITE SCREW S/S		1
33	330206	MOTOR SHAFT INSERT		1