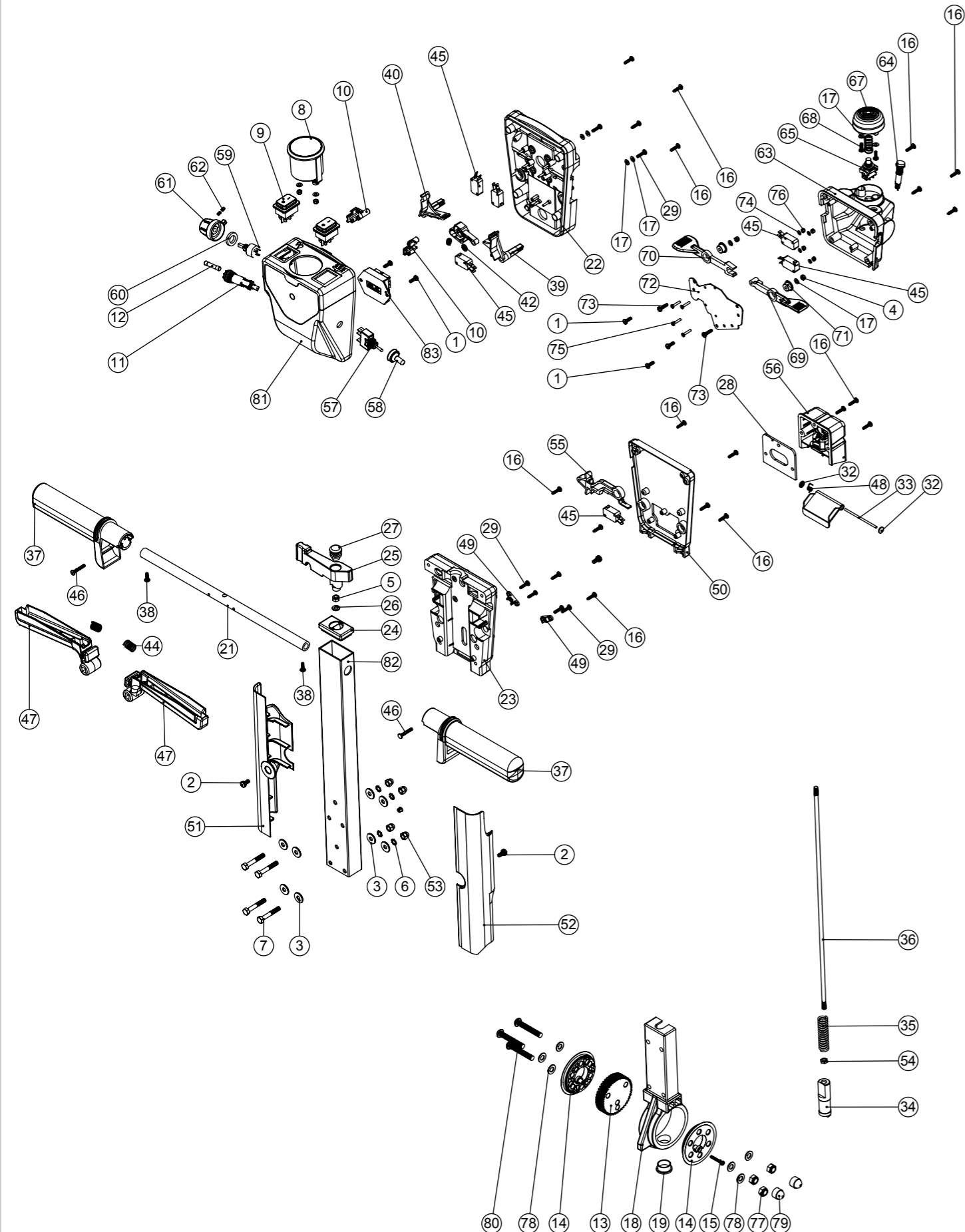


Numatic International Spare Parts

Model No: TGB4055T EXPLODED VIEW: HANDLE

NB: FOR WIRING SEE DRAWING:
230V : DRW-24133
120V : DRW-24136

Internal Code: -
DRAWING: DRW-23404 ISS:A06
PRO 08/01/2018



Numatic International Spare Parts

Model No: TGB4055T EXPLODED VIEW: HANDLE

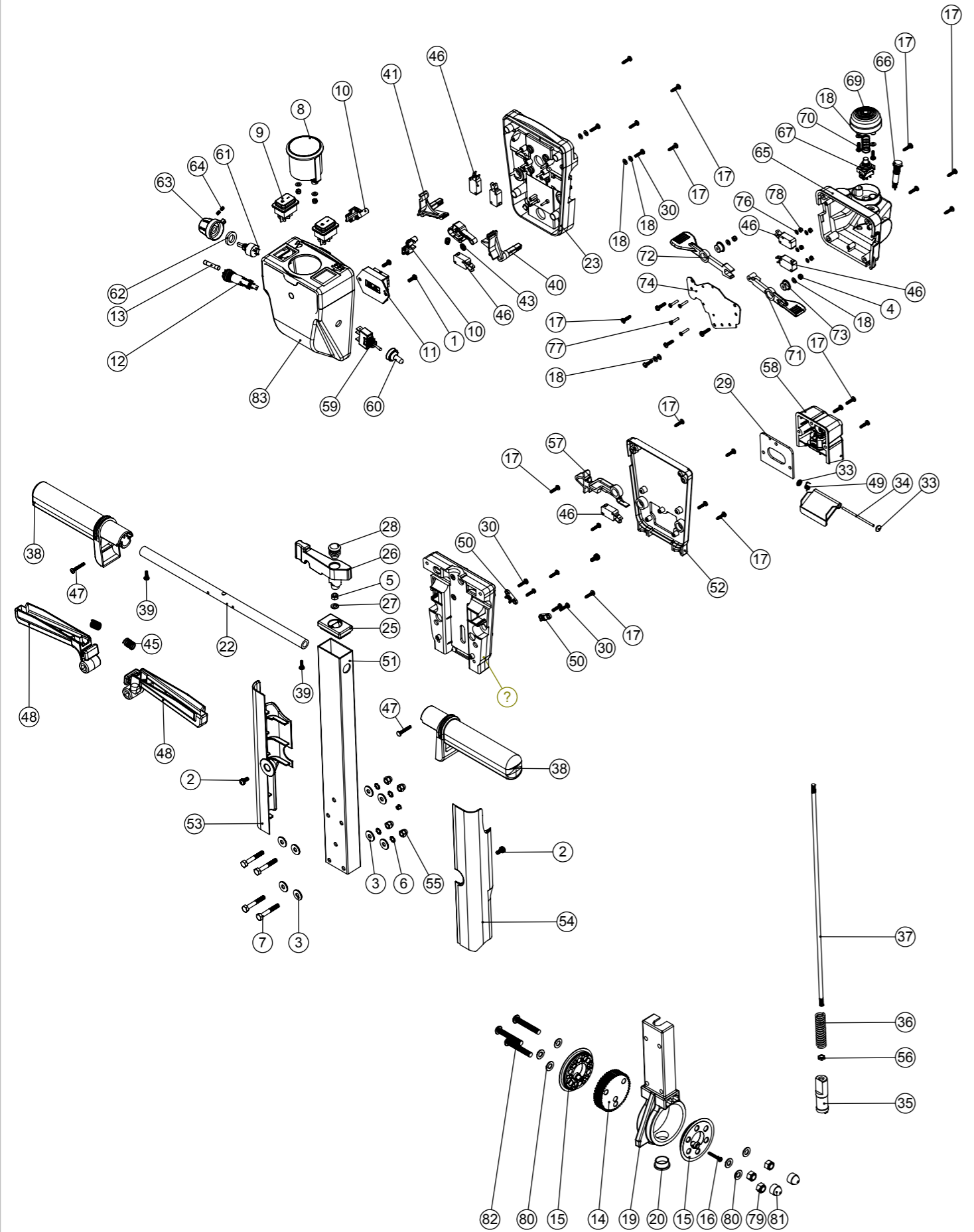
ITEM:	PART No:	DESCRIPTION	COMMENTS:	QTY.
1	219569	NO8.1/2 INCH. LG.POZI-PAN.SCREW.STAINLESS STEEL.PLASTITE		5
2	291131	M5 X 12MM LONG STAINLESS STEEL POZI PAN SEMS SCREW		3
3	219647	M6 FORM G STAINLESS STEEL WASHER		8
4	219687	M4 STAINLESS STEEL NYLON INSERT NUT		4
5	219642	M6 STAINLESS STEEL NYLON INSERT NUT		1
6	902353	M6 EXTERNAL SHAKEPROOF WASHER STAINLESS STEEL		4
7	291125	M6 X 40 LONG HEX BOLT STAINLESS STEEL		4
8	902532	BATTERY DISCHARGE INDICATOR + HOUR METER 24V		1
9	902235	SWITCH DPST RED ILLUMINATED WITH MEMBRANE 24V		2
10	903558	TGB HANDLE BOSS		2
11	903032	BULGIN PANEL MOUNT FUSEHOLDER		1
12	903066	FUSE 2.5A (6.3x32)		1
13	900397	MINI ADJUSTMENT GEAR		1
14	900396	ADJUSTMENT GEAR SPACER		2
15	291150	NO6 X 1 INCH LONG POZI PAN SCREW S/S		1
16	219370	No8 X 5/8 INCH LONG PLASTITE STAINLESS STEEL SCREW		19
17	219688	M4 FORM A STAINLESS STEEL WASHER		10
18	900398	HANDLE CASTING MACHINED (HNS VERSION)		1
19	229099	25MM DIA HOLE PLUG		1
20	229009	BLANKING PLUG		1
21	338269	CROSS TUBE		1
22	227576	FRONT INNER HALF MOULDING	STANDARD MACHINE	1
	229508	FLAME RETARDANT FRONT INNER HALF MOULDING	FLAME RETARDANT 120V	1
23	227577	REAR INNER HALF MOULDING	STANDARD MACHINE	1
	229509	FLAME RETARDANT REAR INNER HALF MOULDING	FLAME RETARDANT 120V	1
24	903546	HANDLE PLUG MOULDING (RED)		1
25	903545	ADJUSTMENT LEVER MOULDING (RED)		1
26	219493	M6 NYLON WASHER		1
27	20638V	19MM BLACK TUBE END STOP		1
28	202105	SOCKET COVER SEALING GASKET		1
29	219914	NO6 X 5/8 INCH LONG POZI-PAN PLASTITE STAINLESS STEEL SCREW		5
30	219107	NO6.5/8 INCH LG.POZI-PAN.SCREW.Z/PL.PLASTITE		1
31	227781	FLAP MOULDING		1
32	219832	3MM DIAMETER STARLOCK		2
33	390979	72MM LONG X 3MM DIAMETER STAINLESS STEEL BAR		1
34	229073	GEAR LOCKING PIN		1
35	229138	SPRING		1
36	229461	440MM HANDLE LOCKING ROD		1
37	227580	HAND GRIP MOULDING		2
38	219270	No8 X 1/2 INCH LONG POZI PAN SELF TAP SCREW		2
39	227585	LEFT HAND SWITCH OPERATING LEVER MOULDING		1
40	227586	RIGHT HAND SWITCH OPERATING LEVER MOULDING		1
41	227587	CENTRE SWITCH OPERATING LEVER MOULDING		1
42	219805	4MM SPIREFIX		1
43	219804	SWITCH COMPRESSION SPRING		1
44	219803	TRIGGER COMPRESSION SPRING		2
45	229483	SNAP ACTION SWITCH		6
46	219811	NO8 X 1 INCH LONG POZI-PAN SELF TAP SCREW		2
47	903547	TRIGGER MOULDING (RED)		2
48	219819	TORSION SPRING		1
49	229669	LOLINE HANDLE CABLE CLAMP		2
50	303509	MODIFIED REAR COVER	STANDARD MACHINE	1
	303777	PROCESSED TRACTION DRIVE REAR HANDLE COVER (FLAME RETARDANT)	FLAME RETARDANT 120V	1
51	237692	HANDLE CABLE COVER L/H		1
52	237693	HANDLE CABLE COVER R/H		1
53	219764	M6 STAINLESS STEEL DOME NUT		4
54	219099	M6 HALF NUT		1
55	227584	INTERLOCK LEVER MOULDING		1
56	904030	240V EMI FILTER WITH SOCKET COVER ASSEMBLY (PROCESSED)	240V VERSION	1
	904031	120V EMI FILTER WITH SOCKET COVER ASSEMBLY (PROCESSED)	120V VERSION	1
57	206786	SWITCH		1
58	206785	SWITCH COVER C/W NUT		1
59	270316	POTENTIOMETER TYPE Pe30 22k OHMS 20% 3W (WITH PANEL SEAL) (ROUND SHAFT WITH FLAT / NO SLOT IN SHAFT END)		1
60	229346	SPACER		1
61	903498	SPEED ADJUSTMENT KNOB C/W INSERT (RED)		1
62	219744	M4 X 6MM LONG BLACKODISED GRUB SCREW		2
63	237315	TWINTec HANDLE REAR POD MOULDING (LESS SPEED CONTROL / DIRECTIONAL SWITCH HOLES)	STANDARD MACHINE	1
	237316	FLAME RETARDANT TWINTec HANDLE REAR POD MOULDING (LESS SPEED CONTROL / DIRECTIONAL SWITCH HOLES)	FLAME RETARDANT 120V	1
64	270291	GREEN LED INDICATOR 2V C/W 2.2K RESISTOR		1
65	270295	PUSH BUTTON SWITCH		1
66	219816	COMPRESSION SPRING		1
67	227683	EMERGENCY STOP BUTTON		1
68	219601	No8 X 3/8 INCH LONG POZI PAN PLASTITE SCREW		2
69	904159	LH DIRECTION TRIGGER (RED)		1
70	904158	RH DIRECTION TRIGGER (RED)		1
71	206579	SHOULDERED SPACER		2
72	329298	DIRECTION TRIGGER MOUNTING PLATE		1
73	219862	M4 X 16MM LONG POZI PAN STAINLESS STEEL SCREW		2
74	219501	M3 FORM A STAINLESS STEEL WASHER		4
75	902065	M3 X 16MM LONG POZI PAN SCREW STAINLESS STEEL		4
76	291154	M3 NYLON INSERT NUT STAINLESS STEEL		4
77	219639	M8 STAINLESS STEEL NYLON INSERT NUT		3
78	219578	M8 FORM A STAINLESS STEEL WASHER		6
79	903260	BOLT AND NUT CAP		2
80	219922	M8 X 50MM LONG SOCKET BUTTON HEAD STAINLESS STEEL BOLT		3
81	903557	TGB HANDLE FRONT COVER (TRACTION) TFPP	STANDARD MACHINE	1
	903561	TGB HANDLE FRONT COVER (TRACTION) FRPP	FLAME RETARDANT 120V	1
82	903603	TGB/TTG 430MM PROCESSED ALI HANDLE PAINT SILVER		1
83	907787	DMH TERMINAL BLOCK PCB ASSEMBLY (V2)		1

Numatic International Spare Parts

Model No: TGB4055T EXPLODED VIEW: HANDLE

NB: FOR WIRING SEE DRAWING: WD-0???

Internal Code: -
TBF DRAWING: DRW-23404 ISS:A03



Numatic International Spare Parts

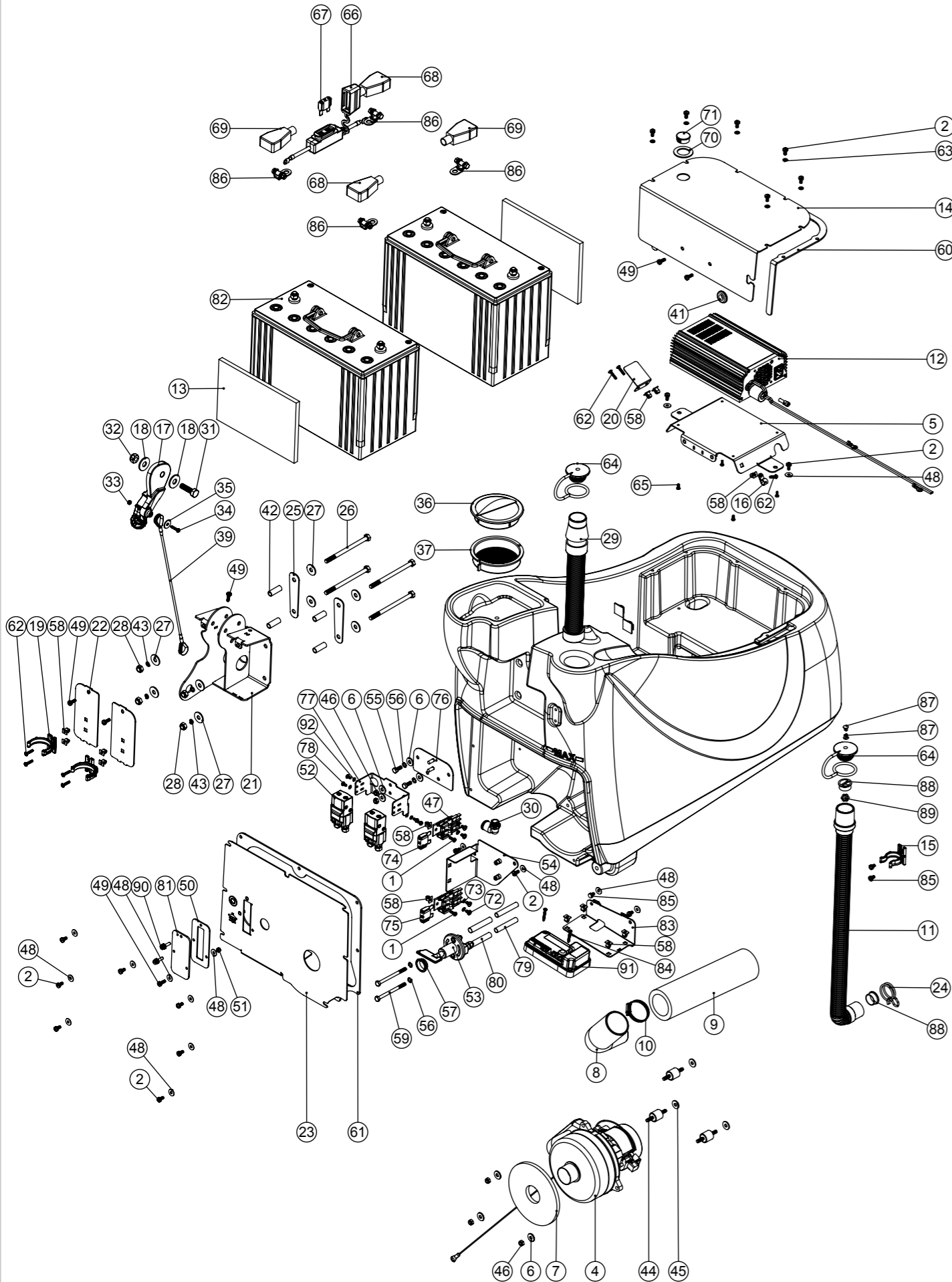
Model No: TGB4055T EXPLODED VIEW: HANDLE

ITEM:	PART No:	DESCRIPTION	COMMENTS:	QTY.
1	219569	NO8. 1/2 INCH. LG.POZI-PAN.SCREW.STAINLESS STEEL.PLASTITE		2
2	291131	M5 X 12MM LONG STAINLESS STEEL POZI PAN SEMS SCREW		3
3	219647	M6 FORM G STAINLESS STEEL WASHER		8
4	219687	M4 STAINLESS STEEL NYLON INSERT NUT		4
5	219642	M6 STAINLESS STEEL NYLON INSERT NUT		1
6	902353	M6 EXTERNAL SHAKEPROOF WASHER STAINLESS STEEL		4
7	291125	M6 X 40 LONG HEX BOLT STAINLESS STEEL		4
8	902532	BATTERY DISCHARGE INDICATOR + HOUR METER 24V		1
9	902235	SWITCH DPST RED ILLUMINATED WITH MEMBRANE 24V		2
10	903558	TGB HANDLE BOSS		2
11	903766	DMH Terminal Block PCB Assembly		1
12	903032	BULGIN PANEL MOUNT FUSEHOLDER		1
13	903066	FUSE 2.5A (6.3x32)		1
14	900397	MINI ADJUSTMENT GEAR		1
15	900396	ADJUSTMENT GEAR SPACER		2
16	291150	NO6 X 1 INCH LONG POZI PAN SCREW S/S		1
17	219370	NO8 X 5/8 INCH LONG PLASTITE STAINLESS STEEL SCREW		22
18	219688	M4 FORM A STAINLESS STEEL WASHER		12
19	900398	HANDLE CASTING MACHINED (MODIFIED 229081)		1
20	229099	25MM DIA HOLE PLUG		1
21	229009	BLANKING PLUG		1
22	338269	CROSS TUBE		1
23	227576	FRONT INNER HALF MOULDING	STANDARD MACHINE	1
	229508	FLAME RETARDANT FRONT INNER HALF MOULDING	FLAME RETARDENT 120V	1
24	227577	REAR INNER HALF MOULDING	STANDARD MACHINE	1
	229509	FLAME RETARDANT REAR INNER HALF MOULDING	FLAME RETARDENT 120V	1
25	903546	HANDLE PLUG MOULDING (RED)		1
26	903545	ADJUSTMENT LEVER MOULDING (RED)		1
27	219493	M6 NYLON WASHER		1
28	20638V	19MM BLACK TUBE END STOP		1
29	202105	SOCKET COVER SEALING GASKET		1
30	219914	NO6 X 5/8 INCH LONG POZI-PAN PLASTITE STAINLESS STEEL SCREW		5
31	219107	NO6.5/8 INCH LG.POZI-PAN.SCREW.STAINLESS STEEL.PLASTITE		1
32	227781	FLAP MOULDING		1
33	219832	3MM DIAMETER STARLOCK		2
34	390979	72MM LONG X 3MM DIAMETER STAINLESS STEEL BAR		1
35	229073	GEAR LOCKING PIN		1
36	229138	SPRING		1
37	229461	440MM HANDLE LOCKING ROD		1
38	227580	HAND GRIP MOULDING		2
39	219270	NO8 X 1/2 INCH LONG POZI PAN SELF TAP SCREW		2
40	227585	LEFT HAND SWITCH OPERATING LEVER MOULDING		1
41	227586	RIGHT HAND SWITCH OPERATING LEVER MOULDING		1
42	227587	CENTRE SWITCH OPERATING LEVER MOULDING		1
43	219805	4MM SPIREFIX		1
44	219804	SWITCH COMPRESSION SPRING		1
45	219803	TRIGGER COMPRESSION SPRING		2
46	229483	SNAP ACTION SWITCH		6
47	219811	NO8 X 1 INCH LONG POZI-PAN SELF TAP SCREW		2
48	903547	TRIGGER MOULDING (RED)		2
49	219819	TORSION SPRING		1
50	229669	LOLINE HANDLE CABLE CLAMP		2
51	903603	TGB/TTG 430MM PROCESSED ALI HANDLE PAINT SILVER		1
52	303509	MODIFIED REAR COVER	STANDARD MACHINE	1
	303777	PROCESSED TRACTION DRIVE REAR HANDLE COVER (FLAME RETARDENT)	FLAME RETARDENT 120V	1
53	237692	HANDLE CABLE COVER L/H		1
54	237693	HANDLE CABLE COVER R/H		1
55	219764	M6 STAINLESS STEEL DOME NUT		4
56	219099	M6 HALF NUT		1
57	227584	INTERLOCK LEVER MOULDING		1
58	904030	240V EMI FILTER WITH SOCKET COVER ASSEMBLY (PROCESSED)	240V VERSION	1
	904031	120V EMI FILTER WITH SOCKET COVER ASSEMBLY (PROCESSED)	120V VERSION	1
59	206786	SWITCH		1
60	206785	SWITCH COVER C/W NUT		1
61	270316	POTENTIOMETER TYPE Pe30 22k OHMS 20% 3W (WITH PANEL SEAL) (ROUND SHAFT WITH FLAT / NO SLOT IN SHAFT END)		1
62	229346	SPACER		1
63	903498	SPEED ADJUSTMENT KNOB C/W INSERT (RED)		1
64	219744	M4 X 6MM LONG BLACKODISED GRUB SCREW		2
65	237315	TWINTec HANDLE REAR POD MOULDING (LESS SPEED CONTROL / DIRECTIONAL SWITCH HOLES)	STANDARD MACHINE	1
	237316	FLAME RETARDENT TWINTec HANDLE REAR POD MOULDING (LESS SPEED CONTROL / DIRECTIONAL SWITCH HOLES)	FLAME RETARDENT 120V	1
66	270291	GREEN LED INDICATOR 2V C/W 2.2K RESISTOR		1
67	270295	PUSH BUTTON SWITCH		1
68	219816	COMPRESSION SPRING		1
69	227683	EMERGENCY STOP BUTTOn		1
70	219601	NO8 X 3/8 INCH LONG POZI PAN PLASTITE SCREW		2
71	904159	LH DIRECTION TRIGGER (RED)		1
72	904158	RH DIRECTION TRIGGER (RED)		1
73	206579	SHOULDERED SPACER		2
74	329298	DIRECTION TRIGGER MOUNTING PLATE		1
75	219862	M4 X 16MM LONG POZI PAN STAINLESS STEEL SCREW		2
76	219501	M3 FORM A STAINLESS STEEL WASHER		4
77	902065	M3 X 16MM LONG POZI PAN SCREW STAINLESS STEEL		4
78	291154	M3 NYLON INSERT NUT STAINLESS STEEL		4
79	219639	M8 STAINLESS STEEL NYLON INSERT NUT		3
80	219578	M8 FORM A STAINLESS STEEL WASHER		6
81	903260	BOLT AND NUT CAP		2
82	219922	M8 X 50MM LONG SOCKET BUTTON HEAD STAINLESS STEEL BOLT		3
83	903557	TGB HANDLE FRONT COVER (TRACTION) TFFP	STANDARD MACHINE	1
	903561	TGB HANDLE FRONT COVER (TRACTION) FRPP	FLAME RETARDENT 120V	1

Numatic International Spare Parts

Model No: TGB4055T EXPLODED VIEW: BOTTOM TANK

NB: FOR WIRING SEE DRAWING:
230V : DRW-24133
120V : DRW-24136



Internal Code: -
DRAWING: DRW-23403 ISS:A11
PRO 08/01/2018

Numatic International Spare Parts

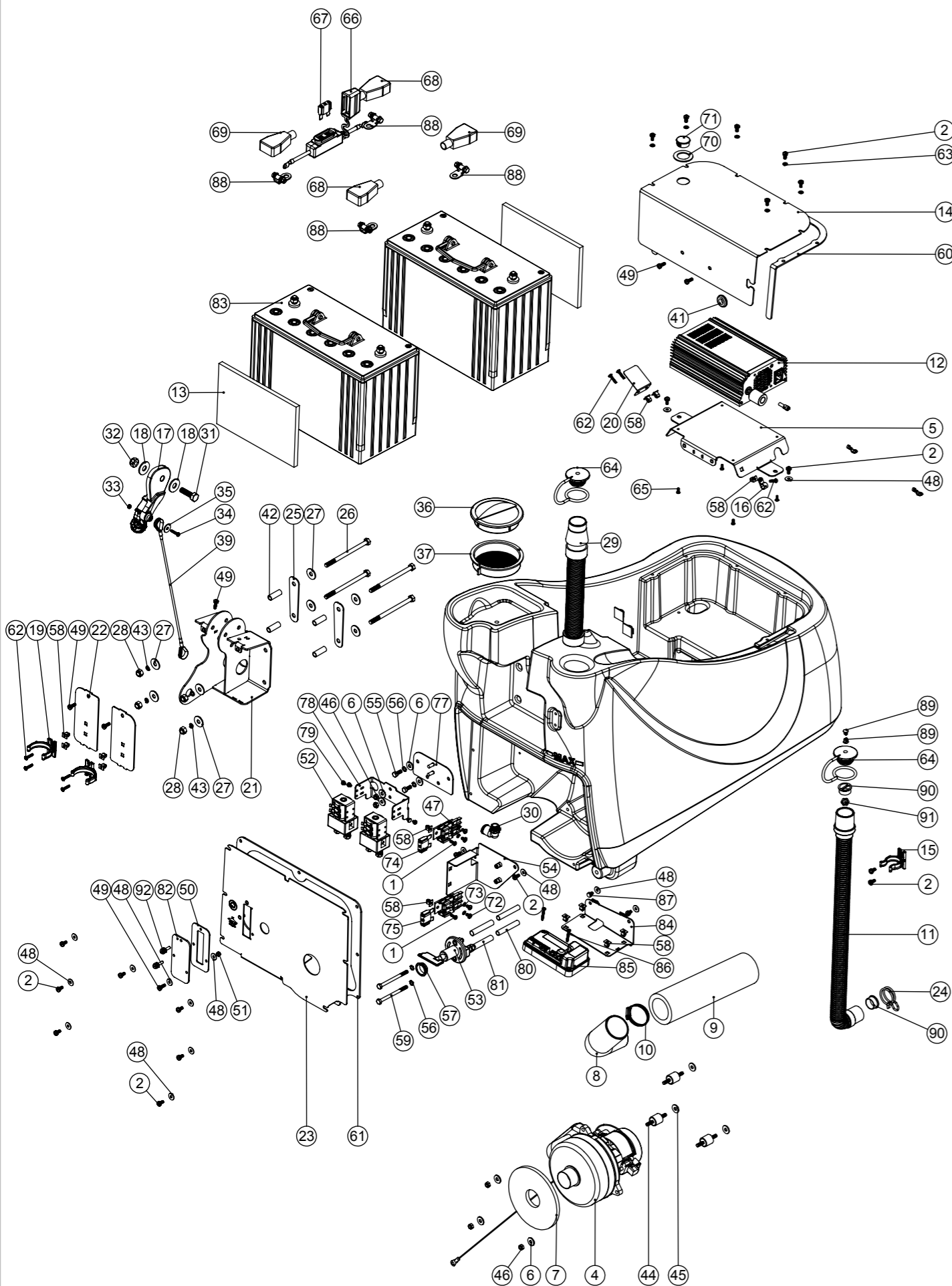
Model No: TGB4055T EXPLODED VIEW: BOTTOM TANK

ITEM:	PART No:	DESCRIPTION	COMMENTS:	QTY.
1	219569	NO8.1/2 INCH. LG.POZI-PAN.SCREW.STAINLESS STEEL.PLASTITE		2
2	291131	M5 X 12MM LONG STAINLESS STEEL POZI PAN SEMS SCREW		17
3	237741	TTB.4055 BOTTOM TANK MOULDING HD (GRAPHITE)		1
4	903473	24V TANGENTIAL DISCHARGE 2-STAGE VAC MOTOR ASSEMBLY		1
5	903537	CHARGER PLATE - PAINTED SILVER		1
6	219647	M6 FORM G STAINLESS STEEL WASHER		7
7	208477	MOTOR PAD		1
8	208571	DIP MOULDED ELBOW		1
9	208306	SILENCER FOAM TUBE		1
10	219529	STAINLESS STEEL HOSE CLAMP (45MM - 60MM)		1
11	213025	DUMP HOSE		1
12	903933	CHARGER ASSEMBLY NORD 230V 10A	230V VERSION	1
	903934	CHARGER ASSEMBLY NORD 120V 10A	120V VERSION	1
13	208645	FOAM BATTERY SPACER		2
14	903536	CHARGER COVER PLATE PAINTED SILVER		1
15	901916	28mm HOSE CLIP		1
16	219393	P CLIP		1
17	902324	RED SQUEEGEE LIFT HANDLE		1
18	291124	M10 PENNY WASHER STAINLESS STEEL		2
19	237754	35-38MM HOSE CLIP		2
20	392356	TTB NORD CHARGER MIRROR PLATE		1
21	903612	TGB 3045 HANDLE MOUNT WELD ASSEMBLY Z/PL		1
22	903539	HANDLE MOUNT COVER PAINTED SILVER		2
23	903538	TGB4045/55 BACK PLATE PAINTED SILVER		1
24	902133	SPRING WIRE CLAMP (YDNAC-Y8010356)		1
25	392449	HANDLE MOUNT LINK PLATE SILVER		2
26	291126	M8 X 120 LONG HEX BOLT STAINLESS STEEL		4
27	219716	M8 FORM G STAINLESS STEEL WASHER		8
28	219639	M8 STAINLESS STEEL NYLON INSERT NUT		4
29	208960	TTB/TT FILLING HOSE		1
30	901539	ELBOW ANGLE CONNECTOR 3/8 PARALLEL THREAD C/W O-RING TO 12MM PUSH IN		1
31	219895	M10 X 35MM LONG HEXAGONAL STAINLESS STEEL SCREW		1
32	219897	M10 STAINLESS STEEL NYLON INSERT NUT		1
33	219687	M4 STAINLESS STEEL NYLON INSERT NUT		1
34	219686	M4 X 20MM LONG STAINLESS STEEL POZI PAN MACHINE SCREW		1
35	291118	M5 STAINLESS STEEL WASHER 19MM OD		1
36	903544	FILLER CAP LID (RED)		1
37	903543	CLEAN TANK INLET FILTER (RED)		1
38	220403	CABLE CLIP		2
39	208961	TTB LIFTING WIRE		1
40	219558	M5 STAINLESS STEEL NUTSERT		3
41	219735	GROMMET		1
42	305046	30MM PVC HOSE ID 8.0MM X 11.0MM		4
43	219898	M8 SINGLE COIL STAINLESS STEEL WASHER		4
44	902006	AV MOUNT MALE TO MALE M6 X 18 (BODY Ø20X20 - REF.P2004.020-020)		3
45	219008	M6 FORM G WASHER		3
46	219642	M6 STAINLESS STEEL NYLON INSERT NUT		5
47	230102	FUSE HOLDER RATED AT 60 AMPS		2
48	219644	M5 FORM G STAINLESS STEEL WASHER		15
49	291132	M5 X 16MM LONG STAINLESS STEEL POZI PAN SEMS SCREW		6
50	903601	FUSE PLATE GASKET		1
51	219633	M5 STAINLESS STEEL NYLON INSERT NUT		1
52	903736	24V ALBRIGHT CONTACTOR (SU60-2009)		2
	230111	CONTACTOR		2
53	206746	MASTER KEY SWITCH & KEY	206813 SPARE KEY	1
54	903568	ISOLATOR SUPPORT BRACKET PAINTED SILVER		1
55	219719	M6 X 16MM LONG HEXAGONAL STAINLESS STEEL HEAD BOLT		2
56	902353	M6 EXTERNAL SHAKEPROOF WASHER STAINLESS STEEL		4
57	902331	QF PVC GROMMET (26MM X 22MM X 2MM)		1
58	900986	NYLON GROMMET NUT (PLASTIC INSERT TO SUIT No 8 PLASTITE SCREW)		13
59	219915	M6 X 80MM LONG STAINLESS STEEL HEXAGONAL HEAD BOLT		2
60	903541	CHARGER COVER GASKET		1
61	903540	BACK PLATE GASKET		1
62	219568	NO8.3/4 INCH LG.POZI-PAN.SCREW.STAINLESS STEEL.PLASTITE		7
63	219355	M5 FORM A STAINLESS STEEL WASHER		6
64	903341	32MM HOSE CAP RED (C/W 8MM HOLE)		2
65	902533	No6 X 3/8 INCH LONG POZI PAN SELF TAP SCREW STAINLESS STEEL		4
66	903172	WATERPROOF BATTERY FUSE HOLDER.210MM		1
67	221047	40 AMP MAXI FUSE		1
68	208936	BLACK BATTERY TERMINAL COVER (415N8V14)		2
69	208935	RED BATTERY TERMINAL COVER (415N8V02)		2
70	902328	WINDOW PLUG GASKET		1
71	206314	WINDOW PLUG		1
72	219864	M5 X 8MM LONG POZI-PAN SCREW Z/PL		4
73	219861	M5 SINGLE COIL STAINLESS STEEL WASHER		4
74	230104	30 AMP MAXI FUSE		1
75	221091	20 AMP MAXI FUSE		1
76	903571	CONTACTOR ADAPTER BRACKET ASSY PAINTED SILVER		1
77	903572	CONTACTOR BRACKET (TGB) PAINTED SILVER		1
78	219697	M4 X 8MM LONG POZI PAN STAINLESS STEEL SCREW		4
79	903663	10MM O/D X 1MM WALL THICKNESS S/STEEL TUBE CUT TO LENGTH (0.060)		2
80	903664	60MM LONG X 10MM I/D BLACK PVC SLEEVING		2
81	903602	FUSE COVER PLATE		1
82	230138	98 A/H STUD TERMINAL GEL TYPE BATTERY	100Ah (SALES USE 205112)	2
	220867	12V TRACTION BLOCK BATTERY	80Ah VERSION	2
83	904148	TGB4055T MOTOR CONTROLLER BRACKET PAINTED SILVER		1
84	219826	NO8 X 1 1/4 INCH LONG POZI DRIVE COUNTERSUNK HEAD SCREW		2
85	291135	M5 X 10MM LONG STAINLESS STEEL POZI PAN SEMS SCREW		4
86	902666	BATTERY CONNECTOR (M6 - M10)	100Ah VERSION	4
	220455	BATTERY TERMINAL NEGATIVE (-)	80Ah VERSION	2
	220454	BATTERY TERMINAL POSITIVE (+)	80Ah VERSION	2
87	904403	BARBED RIVET BLACK		2
88	904108	FLOAT STOP MOULDING		2
89	904109	FLOAT MOULDING		1
90	904491	M5 x16MM SLOT KNURLED THUMB SCREW NYLON (WHITE)		2
91	907788	PROGRAMMED 70A MOTOR CONTROLLER (TGB4055T)		1
92	291145	M4 SHAKEPROOF WASHER STAINLESS STEEL		4

Numatic International Spare Parts

Model No: TGB4055T EXPLODED VIEW: BOTTOM TANK

NB: FOR WIRING SEE DRAWING: WD-0???



Internal Code: -
TBF DRAWING: DRW-23403 ISS:A06

Numatic International Spare Parts

Model No: TGB4055T EXPLODED VIEW: BOTTOM TANK

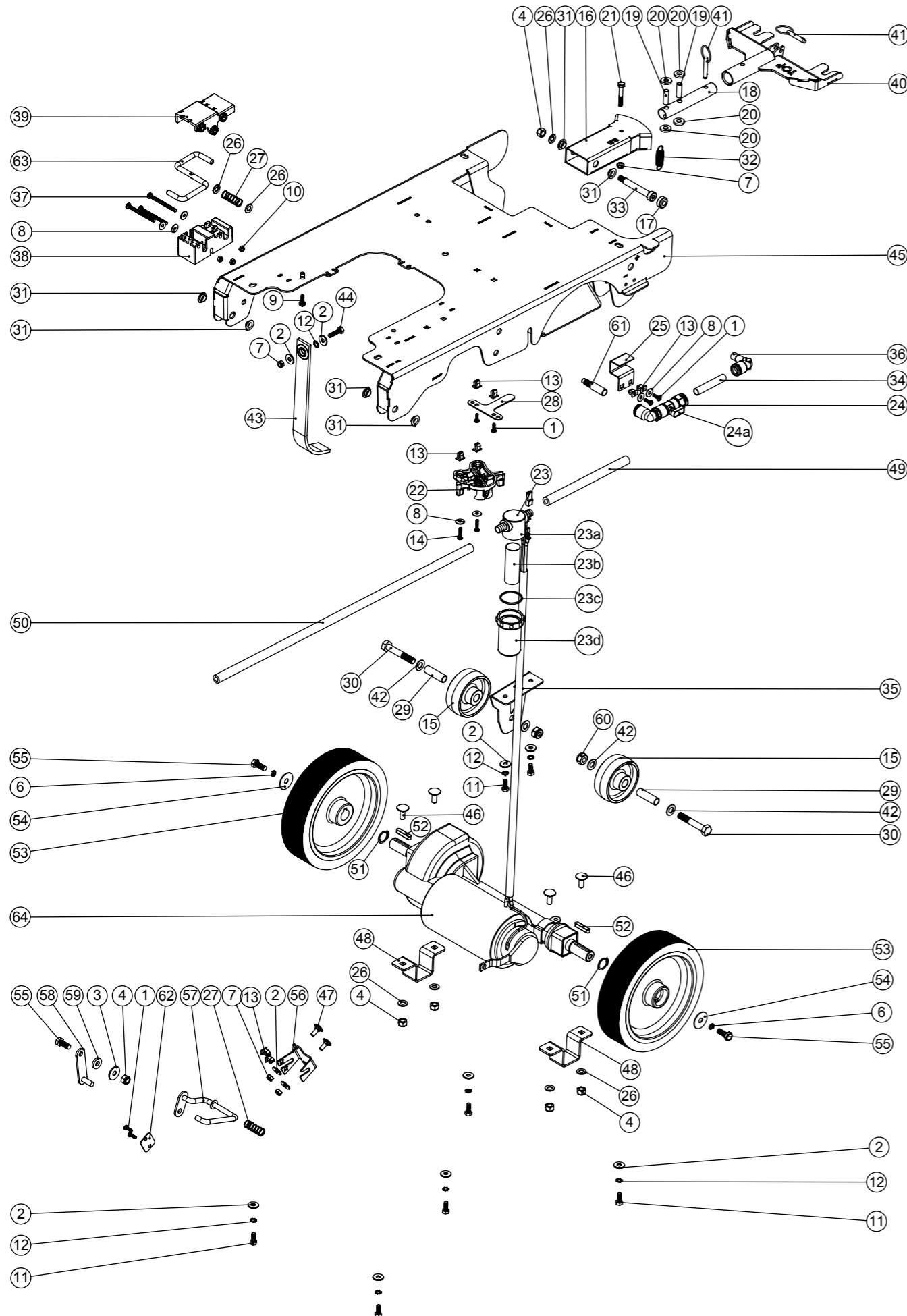
ITEM:	PART No:	DESCRIPTION	COMMENTS:	QTY.
1	219569	NO8.1/2 INCH. LG.POZI-PAN.SCREW.STAINLESS STEEL.PLASTITE		2
2	291131	M5 X 12MM LONG STAINLESS STEEL POZI PAN SEMS SCREW		19
3	237741	TTB 4055 BOTTOM TANK MOULDING HD (GRAPHITE)		1
4	903473	24V TANGENTIAL DISCHARGE 2-STAGE VAC MOTOR ASSEMBLY		1
5	903537	CHARGER PLATE - PAINTED SILVER		1
6	219647	M6 FORM G STAINLESS STEEL WASHER		7
7	208477	MOTOR PAD		1
8	208571	DIP MOULDED ELBOW		1
9	208306	SILENCER FOAM TUBE		1
10	219529	STAINLESS STEEL HOSE CLAMP (45MM - 60MM)		1
11	213025	DUMP HOSE		1
12	903933	CHARGER ASSEMBLY NORD 230V 10A	230V VERSION	1
	903934	CHARGER ASSEMBLY NORD 120V 10A	120V VERSION	1
13	208645	FOAM BATTERY SPACER		2
14	903536	CHARGER COVER PLATE PAINTED SILVER		1
15	901916	28mm HOSE CLIP		1
16	219393	P CLIP		1
17	902324	RED SQUEEGEE LIFT HANDLE		1
18	291124	M10 PENNY WASHER STAINLESS STEEL		2
19	237754	35-38MM HOSE CLIP		2
20	392356	TTB NORD CHARGER MIRROR PLATE		1
21	903612	TGB 3045 HANDLE MOUNT WELD ASSEMBLY Z/PL		1
22	903539	HANDLE MOUNT COVER PAINTED SILVER		2
23	903538	TGB4045/55 BACK PLATE PAINTED SILVER		1
24	902133	SPRING WIRE CLAMP (YDNAC-Y8010356)		1
25	392449	HANDLE MOUNT LINK PLATE PAINT SILVER		2
26	291126	M8 X 120 LONG HEX BOLT STAINLESS STEEL		4
27	219716	M8 FORM G STAINLESS STEEL WASHER		8
28	219639	M8 STAINLESS STEEL NYLON INSERT NUT		4
29	208960	TTB/TT FILLING HOSE		1
30	901539	ELBOW ANGLE CONNECTOR 3/8 PARALLEL THREAD C/W O-RING TO 12MM PUSH IN		1
31	219895	M10 X 35MM LONG HEXAGONAL STAINLESS STEEL SCREW		1
32	219897	M10 STAINLESS STEEL NYLON INSERT NUT		1
33	219687	M4 STAINLESS STEEL NYLON INSERT NUT		1
34	219686	M4 X 20MM LONG STAINLESS STEEL POZI PAN MACHINE SCREW		1
35	291118	M5 STAINLESS STEEL WASHER 19MM OD		1
36	903544	FILLER CAP LID (RED)		1
37	903543	CLEAN TANK INLET FILTER (RED)		1
38	220403	CABLE CLIP		2
39	208961	TTB LIFTING WIRE		1
40	219558	M5 STAINLESS STEEL NUTSERT		7
41	219735	GROMMET		1
42	305046	30MM PVC HOSE ID 8.0MM X 11.0MM		4
43	219898	M8 SINGLE COIL STAINLESS STEEL WASHER		4
44	902006	AV MOUNT MALE TO MALE M6 X 18 (BODY Ø20X20 - REF.P2004.020-020)		3
45	219008	M6 FORM G WASHER		3
46	219642	M6 STAINLESS STEEL NYLON INSERT NUT		5
47	230102	FUSE HOLDER RATED AT 60 AMPS		2
48	219644	M5 FORM G STAINLESS STEEL WASHER		15
49	291132	M5 X 16MM LONG STAINLESS STEEL POZI PAN SEMS SCREW		6
50	903601	FUSE PLATE GASKET		1
51	219633	M5 STAINLESS STEEL NYLON INSERT NUT		1
52	230111	CONTACTOR		2
53	206746	MASTER KEY SWITCH & KEY	206813 SPARE KEY	1
54	903568	ISOLATOR SUPPORT BRACKET PAINTED SILVER		1
55	219719	M6 X 16MM LONG HEXAGONAL STAINLESS STEEL HEAD BOLT		2
56	902353	M6 EXTERNAL SHAKEPROOF WASHER STAINLESS STEEL		4
57	902331	QF PVC GROMMET (26MM X 22MM X 2MM)		1
58	900986	NYLON GROMMET NUT (PLASTIC INSERT TO SUIT No 8 PLASTITE SCREW)		13
59	219915	M6 X 80MM LONG STAINLESS STEEL HEXAGONAL HEAD BOLT		2
60	903541	CHARGER COVER GASKET		1
61	903540	BACK PLATE GASKET		1
62	219568	NO8.3/4 INCH LG.POZI-PAN.SCREW.STAINLESS STEEL.PLASTITE		7
63	219355	M5 FORM A STAINLESS STEEL WASHER		6
64	903341	32MM HOSE CAP RED (C/W 8MM HOLE)		2
65	902533	No6 X 3/8 INCH LONG POZI PAN SELF TAP SCREW STAINLESS STEEL		4
66	903175	WATERPROOF BATTERY FUSE HOLDER.210.RING.RING		1
67	221047	40 AMP MAXI FUSE		1
68	208936	BLACK BATTERY TERMINAL COVER (415N8V14)		2
69	208935	RED BATTERY TERMINAL COVER (415N8V02)		2
70	902328	WINDOW PLUG GASKET		1
71	206314	WINDOW PLUG		1
72	219864	M5 X 8MM LONG POZI-PAN SCREW Z/PL		4
73	219861	M5 SINGLE COIL STAINLESS STEEL WASHER		4
74	230104	30 AMP MAXI FUSE		1
75	221091	20 AMP MAXI FUSE		1
76	219630	M6 STAINLESS STEEL NUTSERT		2
77	903571	CONTACTOR ADAPTER BRACKET ASSY PAINTED SILVER		1
78	903572	CONTACTOR BRACKET (TGB) PAINTED SILVER		1
79	219566	M4 X 6MM LONG POZI PAN SCREW		4
80	903663	10MM O/D X 1MM WALL THICKNESS S/STEEL TUBE CUT TO LENGTH (0.060)		2
81	903664	60MM LONG X 10MM I/D BLACK PVC SLEEVING		2
82	903602	FUSE COVER PLATE		1
83	230138	98 A/H STUD TERMINAL GEL TYPE BATTERY	100Ah (SALES USE 205112)	2
	220867	12V TRACTION BLOCK BATTERY	80Ah VERSION	2
84	904148	TGB4055T MOTOR CONTROLLER BRACKET PAINTED SILVER		1
85	330069	PROGRAMMED MOTOR CONTROLLER (TTV55653/200T C/W VARIABLE TRIGGER SPEED)		1
86	219826	NO8 X 1 1/4 INCH LONG POZI DRIVE COUNTERSUNK HEAD SCREW		2
87	291135	M5 X 10MM LONG STAINLESS STEEL POZI PAN SEMS SCREW		2
88	902666	BATTERY CONNECTOR (M6 - M10)	100Ah VERSION	4
	220455	BATTERY TERMINAL NEGATIVE (-)	80Ah VERSION	2
	220454	BATTERY TERMINAL POSITIVE (+)	80Ah VERSION	2
89	904403	BARBED RIVET BLACK		2
90	904108	FLOAT STOP MOULDING		2
91	904109	FLOAT MOULDING		1
92	904491	M5 x16MM SLOT KNURLED THUMB SCREW NYLON (WHITE)		2

Numatic International Spare Parts

Model No: TGB4055T EXPLODED VIEW: CHASSIS

NB: FOR WIRING SEE DRAWING: WD-0???

Internal Code: -
TBF DRAWING: DRW-23402 ISS:A06



Numatic International Spare Parts

Model No: TGB4055T EXPLODED VIEW: CHASSIS

ITEM:	PART No:	DESCRIPTION	COMMENTS:	QTY.
1	219569	NO8. 1/2 INCH. LG.POZI-PAN.SCREW.STAINLESS STEEL.PLASTITE		6
2	219647	M6 FORM G STAINLESS STEEL WASHER		11
3	219716	M8 FORM G STAINLESS STEEL WASHER		1
4	219639	M8 STAINLESS STEEL NYLON INSERT NUT		6
5	219558	M5 STAINLESS STEEL NUTSERT		1
6	219898	M8 SINGLE COIL STAINLESS STEEL WASHER		2
7	219642	M6 STAINLESS STEEL NYLON INSERT NUT		4
8	219644	M5 FORM G STAINLESS STEEL WASHER		7
9	291132	M5 X 16MM LONG STAINLESS STEEL POZI PAN SEMS SCREW		1
10	219633	M5 STAINLESS STEEL NYLON INSERT NUT		3
11	219719	M6 X 16MM LONG HEXAGONAL STAINLESS STEEL HEAD BOLT		7
12	902353	M6 EXTERNAL SHAKEPROOF WASHER STAINLESS STEEL		8
13	900986	NYLON GROMMET NUT (PLASTIC INSERT TO SUIT No 8 PLASTITE SCREW)		8
14	219568	NO8.3/4 INCH LG.POZI-PAN.SCREW.STAINLESS STEEL.PLASTITE		2
15	206713	80MM DIAMETER WHITE WHEEL		2
16	304359	TT/TTB/4045/4055 SQUEEGEE MOUNT WELD ASSEMBLY		1
17	237632	SHOULDER BOLT COVER		1
18	304356	FLOOR TOOL PIVOT TUBE		1
19	206954	SPIRO SPACER		2
20	206964	SLIDE NYLON SPACER		4
21	291125	M6 X 40 LONG HEX BOLT STAINLESS STEEL		1
22	901006	FILTER MOUNTING BRACKET		1
23	208888	EXTENDED STRAINER		1
23a	208827	STRAINER BLACK TOP	SPARE PART	1
23b	208889	EXTENDED STRAINER 50 MESH SCREEN	SPARE PART	1
23c	208830	STRAINER GASKET	SPARE PART	1
23d	208890	EXTENDED STRAINER CLEAR BOWL	SPARE PART	1
24	901541	12MM SWIVEL ELBOW PUSH FIT TO 12MM PUSH FIT BALL VALVE ASSEMBLY		1
24a	901544	TAP HANDLE C/W COVER AND M3X6MM SCREW (SPARE ITEM)	SPARE PART	1
25	392314	10MM TAP BRACKET		1
26	219578	M8 FORM A STAINLESS STEEL WASHER		7
27	208578	DECK LOCK SPRING		2
28	321902	SILENCER CLAMP		1
29	391440	1/2 INCH X 18G X 41MM LONG STAINLESS STEEL SPACER TUBE		2
30	219894	M10 X 60MM LONG HEXAGONAL STAINLESS STEEL BOLT		2
31	208312	IGUS BEARING (GFM 101205)		6
32	208619	FLOOR TOOL SPRING		1
33	208574	M8 X 10 X 60MM LONG HEX SOCKET SHOULDER BOLT		1
34	901553	NYLON TUBE 12MM OD X 10MM ID (65MM)		1
35	903611	TGB TRANSPORT WHEEL BRACKET WELD ASSEMBLY PAINT SILVER		1
36	901545	ELBOW ANGLE CONNECTOR 12MM PUSH IN TO 12MM STEM		1
37	901558	M5 X 60MM STAINLESS STEEL POZI PAN MACHINE SCREW		3
38	901280	LATCH BLOCK BOTTOM MOULDING		1
39	901279	LATCH BLOCK TOP MOULDING		1
40	304466	FLOOR TOOL BRACKET ASSEMBLY (TT/TTB4045/4055)		1
41	206953	DETENT PINS		2
42	219903	M10 FORM A STAINLESS STEEL WASHER		4
43	903683	ANTI-STATIC STRAP (CUT TO LENGHT: 270MM LONG)		1
44	219925	M6 x 25MM LONG STAINLESS STEEL HEX SCREW		1
45	904155	TGB4055T TRACTION CHASSIS WELD ASSY PAINTED SILVER		1
46	291104	M8 X 20 COACH BOLT S/S		4
47	291103	M6 X 16 COACH BOLT S/S		2
48	904156	TGB TRANSAXLE MOUNTING BRACKET		2
49	330230	SILICON TUBE 8MM I/D X 3.2MM WALL SECTION (CUT 400MM)		1
50	391216	SILICON TUBE 600MM LONG X 8MM I/D X 3.2MM WALL SECTION		1
51	219889	19MM HEAVY DUTY CIRCLIP		2
52	206744	6MM X 6MM X 32MM FEATHER KEY		2
53	204115	200MM X 50MM TRACTION WHEEL - GREY PU TREAD COMBED PROFILE		2
54	219877	M8 X 30 STAINLESS STEEL WASHER		2
55	219717	M8 X 20MM LONG HEXAGONAL STAINLESS STEEL BOLT		3
56	904157	TGB BRAKE BRACKET		1
57	304419	BRAKE BAR WELDED ASSEMBLY		1
58	304418	BRAKE LEVER LINK & PIN ASSEMBLY		1
59	219959	M8 PLASTIC WASHER		1
60	219897	M10 STAINLESS STEEL NYLON INSERT NUT		2
61	901534	PUSH IN BARBED CONNECTOR - 12MM OD 8MM ID		1
62	904323	BRAKE BAR LOCK PLATE (TGB)		1
63	904440	DECK LATCH BAR		1
64	321700	465MM LONG ASI TRANSAXLE C/W SHORTNED 850MM WIRES		1