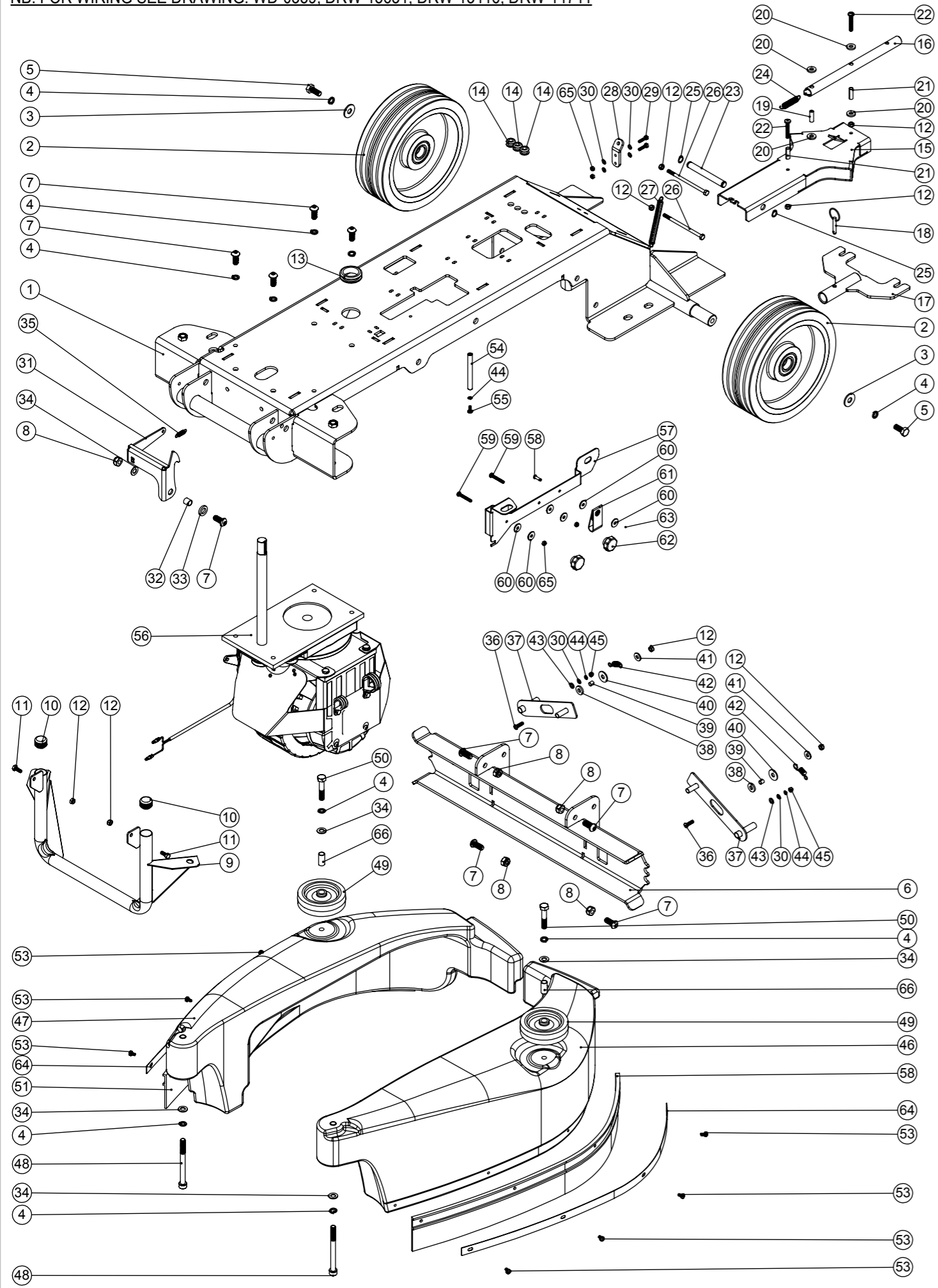


Numatic International Spare Parts

Model No: TTV678 & TRO650 CHASSIS / DRIVE MOTOR ASSEMBLY
EXPLODED DRAWING

Internal Code: 905585
DRAWING: DRW-24936 ISS:A11
21/03/2018

NB: FOR WIRING SEE DRAWING: WD-0359, DRW-15631, DRW-13416, DRW-14741



Numatic International Spare Parts

Model No: TTV678 & TRO650 CHASSIS / DRIVE MOTOR ASSEMBLY
EXPLODED DRAWING

POS.	ITEM NO.	DESCRIPTION	COMMENTS	QTY.
1	404038	CHASSIS WELDED ASSEMBLY (PAINTED ANTHRACITE GREY)		1
2	206939	254MM DIAMETER WHEEL		2
3	291124	M10 PENNY WASHER STAINLESS STEEL		2
4	219899	M10 SINGLE COIL STAINLESS STEEL WASHER		10
5	219909	M10 X 25MM LONG HEXAGONAL STAINLESS STEEL SCREW		2
6	901567	SIDE POD SLIDE PLATE ASSEMBLY ZINC PLATED	TTV678	1
	304457	TRO SIDE POD SLIDE PLATE ASSEMBLY ZINC PLATED	TRO650	1
7	219910	M10 X 25MM LONG SOCKET BUTTON HEAD STAINLESS STEEL SCREW		9
8	219897	M10 STAINLESS STEEL NYLON INSERT NUT		5
9	404161	VARIO BUMPER WELD ASSEMBLY PAINT ANTHRACITE GREY		1
10	20637V	25.4MM TUBE END STOP		2
11	219719	M6 X 16MM LONG HEXAGONAL STAINLESS STEEL HEAD BOLT		2
12	219642	M6 STAINLESS STEEL NYLON INSERT NUT		8
13	208144	38MM GROMMET X 6MM PANEL THICKNESS		1
14	229025	STANDARD GROMMET		3
15	303797	TOP/BOTTOM LIFTING PLATE WELDED ASSEMBLY		1
16	303799	PIVOT TUBE WELDED ASSEMBLY		1
17	303795	QUICK RELEASE TUBE/PLATE WELDED ASSEMBLY		1
18	206953	DETENT PINS		1
19	206963	VERTICAL NYLON SPACER		1
20	206964	SLIDE NYLON SPACER		4
21	206954	SPIRO SPACER		2
22	902522	M6 X 40MM LONG SOCKET BUTTON HEAD STAINLESS STEEL BOLT		2
23	206965	PIVOT AXLE		1
24	206955	RETURN SPRING		1
25	905551	12MM EXTERNAL CIRCLIP ST/ST		2
26	905559	M6 X 110MM LONG HEXAGONAL HEAD BOLT ST/ST		2
27	20695V	SPRING		1
28	404195	REAR CABLE PLATE PAINTED ANTHRACITE GREY		1
29	291029	M5.20MM LG.HEX.SCREW S/S		2
30	219355	M5 FORM A STAINLESS STEEL WASHER		6
31	329849	BRUSH DECK FOOT PEDAL LATCH		1
32	303810	12.7MM DIAMETER X 18G X 12.5MM LONG STAINLESS STEEL TUBE		1
33	229346	SPACER		1
34	219903	M10 FORM A STAINLESS STEEL WASHER		5
35	208019	BRUSH PEDAL LATCH SPRING		1
36	905556	M6 X 20MM LONG SOCKET BUTTON HEAD ST/ST BOLT		2
37	303813	SIDE POD ADJUSTER BRACKET WELDED ASSEMBLY	TTV678	2
	304458	TRO RH SIDE POD ADJUSTER BRACKET WELD ASSEMBLY	TRO650	1
	304459	TRO LH SIDE POD ADJUSTER BRACKET WELD ASSEMBLY	TRO650	1
38	219959	M8 PLASTIC WASHER		2
39	208475	8MM SPACER		2
40	219716	M8 FORM G STAINLESS STEEL WASHER		2
41	219647	M6 FORM G STAINLESS STEEL WASHER		2
42	208079	EXTENSION SPRING		2
43	219870	M6 FORM A WASHER STAINLESS STEEL		2
44	219016	M5 SHAKEPROOF WASHER		3
45	219645	M5 STAINLESS STEEL DOME NUT		2
46	229835	LEFT HAND SIDE POD MOULDING		1
47	229834	RIGHT HAND SIDE POD MOULDING		1
48	904944	M10 X 110 SOCKET CAP SCREW STAINLESS STEEL		2
49	329187	100MM WHEEL (MODIFIED)		2
50	905557	M10 X 50MM LONG HEX HEAD BOLT ST/ST		2
51	206947	SPLASH SKIRT		2
53	291135	M5 X 10MM LONG STAINLESS STEEL POZI PAN SEMS SCREW		8
54	208804	87MM LONG ALUMINIUM SPACER		1
55	219740	M5 X 12MM LONG STAINLESS STEEL POZI PAN SCREW		1
56	N/A	VARIO DRIVE WHEEL ASSEMBLY	SEE DRW-24377	1
57	904918	POWER PLUG BRACKET		1
58	904922	CLEVIS PIN 3/16 x 5/8 STAINLESS STEEL		1
59	219661	M5 X 35MM LONG POZI PAN STAINLESS STEEL SCREW		2
60	291118	M5 STAINLESS STEEL WASHER 19MM OD		6
61	904919	RETAINING STRAP		1
62	208455	TTB 1840 SQUEEGEE KNOB		2
63	904923	MINI R-CLIP STAINLESS STEEL		1
64	329843	VARIO SPLASH SKIRT FIXING STRIP		2
65	291035	M5 NYLON INSERT NUT (STAINLESS STEEL)		4
66	391224	1/2 INCH DIA X 18G S/S TUBE (0.026)		2