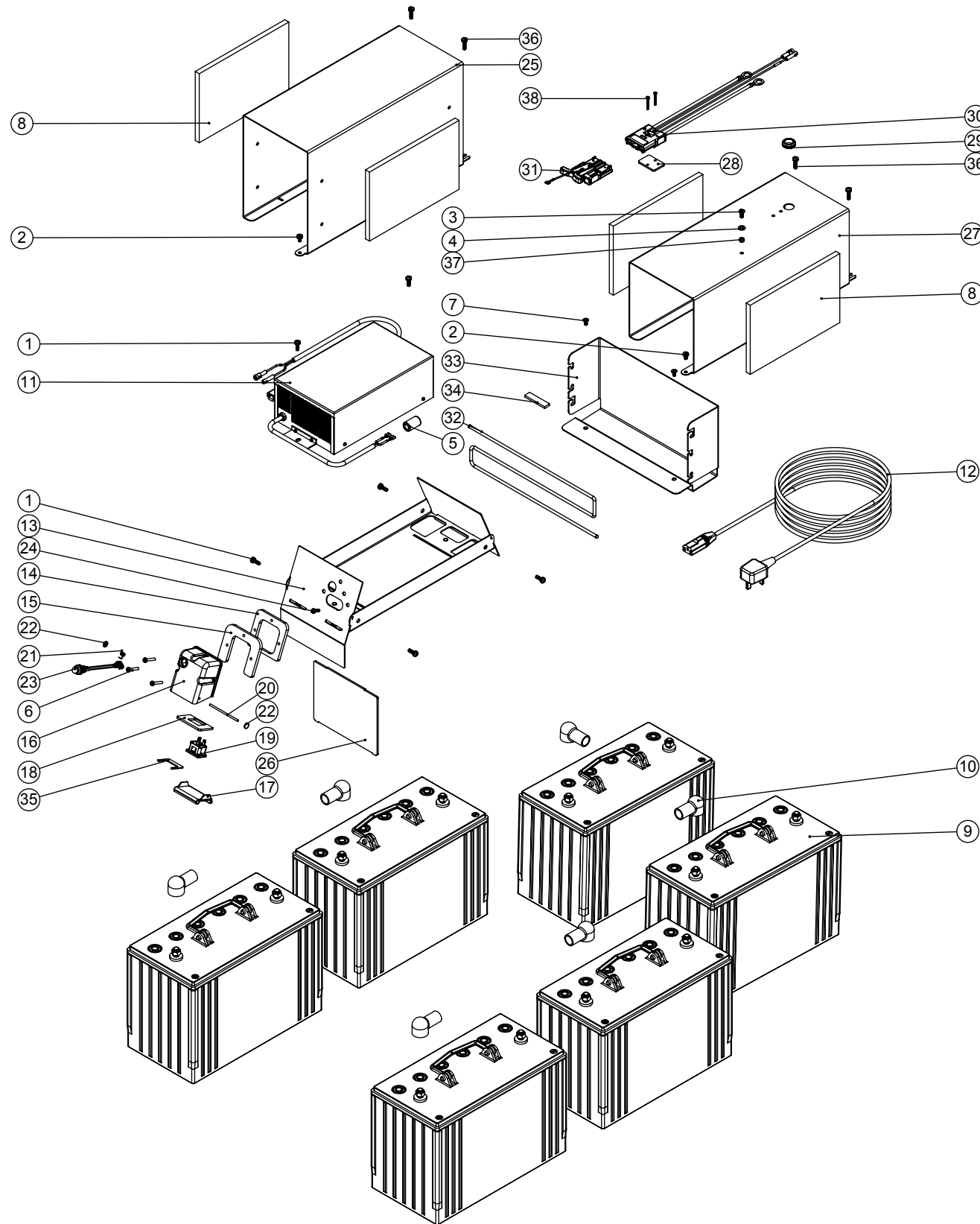


Numatic International Spare Parts

Model No: TTV678-300 CHARGER / CHARGER SPACER / BATTERIES ASSEMBLY EXPLODED DRAWING

Internal Code: 906732
 DRAWING: DRW-25880 ISS:A05
 PRO 15/09/2017

NB: FOR WIRING SEE DRAWING: WD-0359, DRW-15631, DRW-13416, DRW-14741



Numatic International Spare Parts

Model No: TTV678-300 CHARGER / CHARGER SPACER / BATTERIES ASSEMBLY EXPLODED DRAWING

| ITEM NO. | PART NO: | DESCRIPTION | COMMENTS: | QTY. |
|----------|----------|---|--------------------------|------|
| 1 | 291132 | M5 X 16MM LONG STAINLESS STEEL POZI PAN SEMS SCREW | | 6 |
| 2 | 291135 | M5 X 10MM LONG STAINLESS STEEL POZI PAN SEMS SCREW | | 2 |
| 3 | 219740 | M5 X 12MM LONG STAINLESS STEEL POZI PAN SCREW | CHARGERLESS MACHINE | 1 |
| 4 | 219493 | M6 NYLON WASHER | CHARGERLESS MACHINE | 1 |
| 5 | 230097 | AXIAL FERRITE BEAD | | 1 |
| 6 | 291165 | M4 X 25MM LONG POZI SCREW STAINLESS STEEL | | 3 |
| 7 | 291008 | M5 X 10MM LONG POZI PAN COUNTERSUNK STAINLESS STEEL SCREW | CHARGERLESS MACHINE | 2 |
| 8 | 208645 | FOAM BATTERY SPACER | | 4 |
| 9 | 205112 | 100 AMP/HOUR REPLACEMENT BATTERY (C/W PACKING FOR 230138 BATTERY) | | 6 |
| 10 | 206861 | RED PVC TERMINAL CAP | | 6 |
| 11 | 230189 | 220-240V MENTZER 30 AMP CHARGER (NO LIGHTS VERSION) | TTV678/300T | 1 |
| | 230187 | 110-120V MENTZER 30 AMP CHARGER (NOLIGHTS VERSION) | TTV678/300T | 1 |
| | 230143 | 220-240V MENTZER 35 AMP CHARGER | WITHOUT REMOTE INDICATOR | 1 |
| 12 | 220386 | UK TYPE CHARGING LEAD | | 1 |
| | 221079 | EURO TYPE CHARGING LEAD | | 1 |
| | 220389 | USA TYPE CHARGING LEAD | | |
| 13 | 404190 | NUTSERTED TOP CHARGER TRAY WELD ASSEMBLY PAINTED SILVER GREY | | 1 |
| 14 | 329595 | TOP SOCKET PLATE | | 1 |
| 15 | 392354 | IEC CONNECTOR BOX SPACER PLATE | | 1 |
| 16 | 329355 | SOCKET COVER MOULDING C/W LARGE MOULDED HOLE (WITH PROCESSED HOLES) | STANDARD MACHINE | 1 |
| | 303629 | SOCKET COVER MOULDING C/W LARGE MOULDED HOLE (WITH PROCESSED HOLES) | FLAME RETARDANT CSA SPEC | 1 |
| 17 | 227781 | FLAP MOULDING | | 1 |
| 18 | 329297 | SOCKET MOUNTING PLATE | | 1 |
| 19 | 220391 | 3 PIN APPLIANCE SOCKET | | 1 |
| 20 | 390979 | 72MM LONG X 3MM DIAMETER STAINLESS STEEL BAR | | 1 |
| 21 | 219819 | TORSION SPRING | | 1 |
| 22 | 219832 | 3MM DIAMETER STARLOCK | | 2 |
| 23 | 270193 | NEON INDICATOR RED LENS 230V C/W LINK WIRES | | 1 |
| | 270195 | NEON INDICATOR RED LENS 120V C/W LINK WIRES | | 1 |
| 24 | 219472 | M4 X 16MM LONG POZI PAN SEMS SCREW | | 1 |
| 25 | 404186 | CHARGER BOX | | 1 |
| 26 | 392346 | CHARGER DEFLECTOR PLATE | | 1 |
| 27 | 304497 | NUTSERTED CHARGER SPACER BOX PAINTED SILVER GREY | CHARGERLESS MACHINE | 1 |
| 28 | 392370 | 3MM BLACK SBS CONNECTOR SPACER | CHARGERLESS MACHINE | 1 |
| 29 | 219631 | 19MM GROMMET | CHARGERLESS MACHINE | 1 |
| 30 | 323178 | LOOM ASSEMBLY - 4 CIRCUIT - CHARGER/INHITIBT LEAD | CHARGERLESS MACHINE | 1 |
| 31 | 323177 | LOOM ASSEMBLY - 1 CIRCUIT - CHARGER/INHITIBT LEAD | CHARGERLESS MACHINE | 1 |
| 32 | 208598 | TTV678 POCKET BUNGEE CORD | CHARGERLESS MACHINE | 1 |
| 33 | 304454 | TTV678 POCKET PAINTED GREY - NUTSERTED | CHARGERLESS MACHINE | 1 |
| 34 | 212262 | 50mm LONG -12MM X 4MM X 1500MM V6 OPEN CELL NATURAL SPONGE | CHARGERLESS MACHINE | 1 |
| 35 | 901963 | SECONDARY SPACER | | 1 |
| 36 | 291133 | M5 X 20MM LONG STAINLESS STEEL POZI PAN SEMS SCREW | | 4 |
| 37 | 291035 | M5 NYLON INSERT NUT (STAINLESS STEEL) | | 1 |
| 38 | 904052 | M3 X 25MM LONG POZI PAN SCREW STAINLESS STEEL | | 2 |