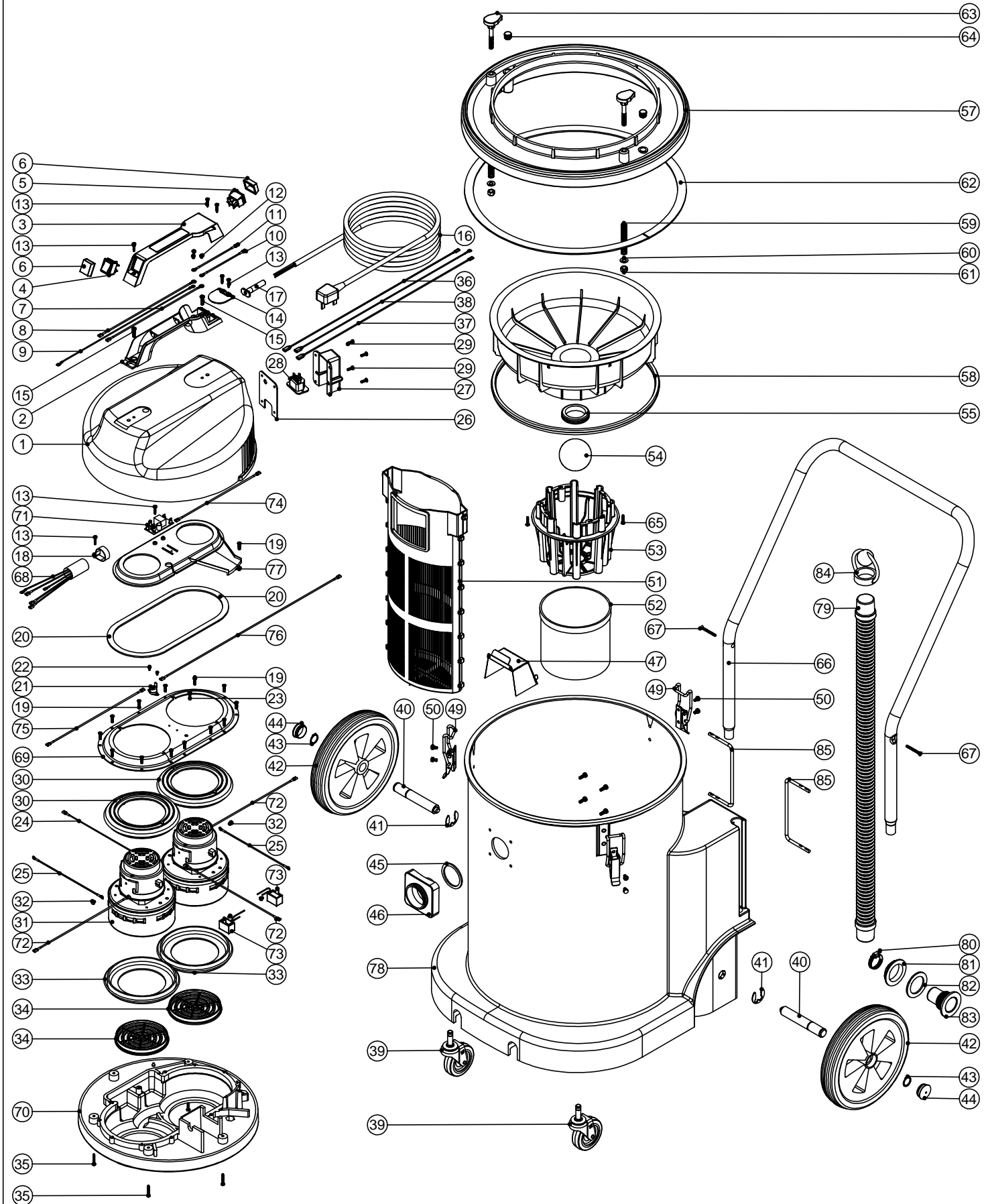


Numatic International Spare Parts

Model No: WVD1802DH (Dump Hose)

234102
DRAWING: EXP533 ISS:A01
19/09/2001



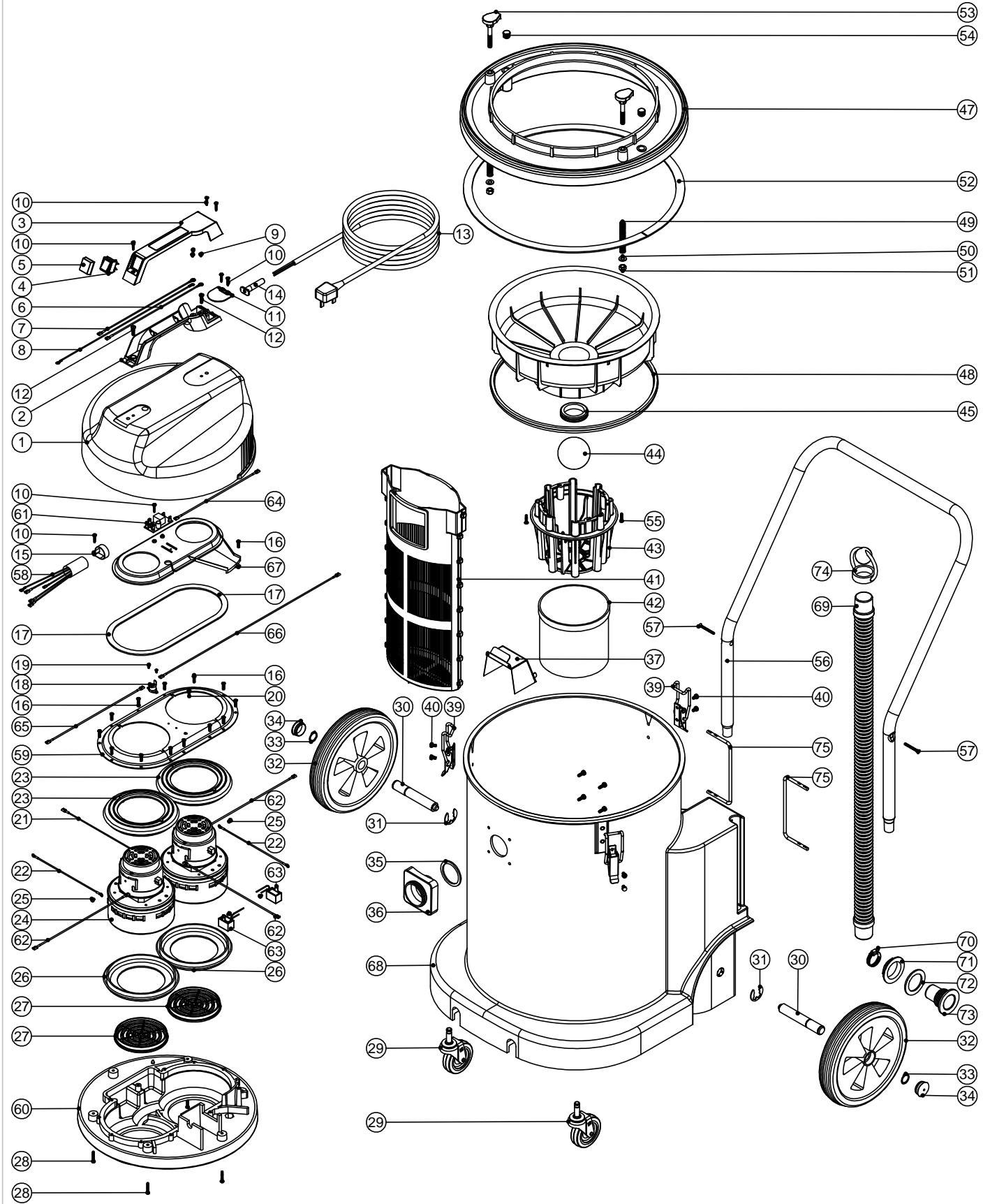
Numatic International Spare Parts

Model No: WVD1802DH (Dump Hose)

POS:	ITEM NO:	DESCRIPTION:	COMMENTS:
1	301092	PROCESSED HEAD TOP	
2	320007	HANDLE MOULDING	
3	206211	HANDLE COVER	
4	220843	BLUE ROCKER SWITCH	
5	220582	GREEN ROCKER SWITCH	
6	220238	SWITCH BOOT	
7	320003	200MM LONG BROWN LINK WIRE	230V MACHINES (1.0MM WIRE)
	320320	200MM LONG BROWN LINK WIRE	110/120V MACHINES (1.5MM WIRE)
8	320183	200MM LONG BLUE LINK WIRE	230V MACHINES (1.0MM WIRE)
	320322	200MM LONG BLUE LINK WIRE	110/120V MACHINES (1.5MM WIRE)
9	320093	400MM LONG GREEN/YELLOW LINK WIRE	
10	320090	100MM LONG BROWN LINK WIRE	
11	320325	100MM LONG BLUE LINK WIRE	
12	219090	M4 X 8MM LONG POZI PAN SEMS SCREW	
13	219107	No6 X 5/8 INCH LONG POZI PAN PLASTITE SCREW	
14	220131	CABLE CLAMP	
15	219546	M5 X 20MM LONG POZI PAN SEMS SCREW	
16	220232	MAINS CABLE (3 WIRE / UK PLUG)	
	220059	MAINS CABLE (3 WIRE / NO PLUG)	230V MACHINES
	220253	MAINS CABLE (3 WIRE / CEE PLUG)	
	220094	MAINS CABLE (3 WIRE / NO PLUG)	110/120V MACHINES
	220222	MAINS CABLE (3 WIRE / SWISS PLUG)	
	220839	MAINS CABLE (3 WIRE / CSA PLUG)	
	299039	MAINS CABLE (3 WIRE / AUSTRALIAN PLUG)	
	220468	MAINS CABLE (3 WIRE / 15 AMP SOUTH AFRICAN PLUG)	
17	220132	STRESS RELIEF SLEEVE	230V MACHINES
	220541	STRESS RELIEF SLEEVE	110/120V MACHINES
18	220288	30MM DIAMETER P-CLIP	230V MACHINES
19	219370	No8 X 5/8 INCH LONG PLASTITE STAINLESS STEEL SCREW	
20	202012	GASKET	
21	220532	THERMOSTAT	
	220659	THERMOSTAT	120V CSA SPEC MACHINES
22	219491	M5 X 3MM LONG POZI PAN TAPTITE SCREW	
23	219471	M4 X 12MM LONG POZI PAN SEMS SCREW	
24	320286	240MM LONG WHITE LINK WIRE	
25	320092	180MM LONG GREEN/YELLOW LINK WIRE	
26	202082	SOCKET COVER GASKET	
27	206511	SOCKET COVER	
28	229018	POWER TAKE OFF SOCKET	
29	219569	No8 X 1/2 INCH LONG POZI PAN STAINLESS STEEL TAPTITE SCREW	
30	202003	TOP MOTOR GASKET	
31	205060	230V BP MOTOR	
	206062	110/120V MOTOR	
32	219566	M4 X 6MM LONG POZI PAN SCREW	
33	202005	MOTOR BOTTOM GASKET	
34	206010	FAN GUARD	
35	219369	No8 X 1 INCH LONG POZI PAN STAINLESS STEEL PLASTITE SCREW	
36	320427	520MM LONG BROWN LINK WIRE	
37	320428	520MM LONG BLUE LINK WIRE	
38	320429	500MM LONG GREEN/YELLOW LINK WIRE	
39	204060	3 INCH CASTOR	
40	206452	STUB AXLE	
41	219306	E-CLIP	
42	204028	10 INCH WHEEL	
43	219308	CIRCLIP	
44	206131	BLACK PLASTIC CAP	
45	202027	HOSE FLANGE GASKET	
46	214001	DIE CAST FLANGE	
47	303482	WATER DEFLECTOR	
48	219045	M5 X 16MM LONG POZI PAN SEMS SCREW	
49	206135	TOGGLE FASTENER	
50	219047	M5 X 10MM LONG POZI PAN SEMS SCREW	
51	207110	FILTER ASSEMBLY	
52	207073	GAUZE FILTER	
53	225130	MOULDED FLOAT CAGE	
54	206026	POLYPROP BALL	
55	220235	FLOAT GROMMET	
56	225101	FLOAT MOULDING	
57	226021	BOTTOM PLATE MOULDING	
58	202036	FLOAT MOULD EXTRUSION SEAL	
59	219418	COMPRESSION SPRING	
60	219010	M8 FORM A WASHER	
61	219078	M8 NYLON INSERT NUT	
62	212024	INSEAL	
63	206242	HOOKED KNOB	
64	206243	RIBBED TUBE INSERT	
65	219568	No8 X 3/4 INCH LONG POZI PAN STAINLESS STEEL SCREW	
66	402100	BLACK HANDLE	
67	219316	No10 X 43MM LONG POZI PAN COUNTER SUNK PLASTITE SCREW	
68	220289	SUPPRESSOR	230V MACHINES
69	225063	TOP MOTOR HOUSING	
70	301048	PROCESSED BOTTOM MOTOR HOUSING	
71	220555	230V DELAY START MODULE	
	220556	110/120V DELAY START MODULE	
72	320294	WHITE LINK WIRE	
73	220682	SUPPRESSOR ASSEMBLY	110/120V MACHINES
74	320287	220MM LONG BROWN LINK WIRE	110/120V MACHINES
75	220575	260MM LONG BLUE LINK WIRE	110/120V MACHINES
76	320293	260MM LONG BROWN LINK WIRE	110/120V MACHINES
77	225154	AIR SEPARATOR DUPLEX	
78	300144	WV1800DH GREY PROCESSED DRUM	
	300145	WV1800DH RED PROCESSED DRUM	
	300146	WV1800DH BLUE PROCESSED DRUM	
	300147	WV1800DH GREEN PROCESSED DRUM	
	300148	WV1800DH YELLOW PROCESSED DRUM	
79	213039	DUMP HOSE	
80	219674	30/40MM DIAMETER STAINLESS STEEL JUBILEE CLIP	
81	206116	BLACK NUT	
82	219310	RUBBER WASHER	
83	206228	DRAIN HOSE CONNECTOR	
84	206111	HOSE CLOSURE	
85	302098	HOSE BRACKET	

Numatic International Spare Parts
Model No: WVD1802DH (Dump Hose)

234102
 DRAWING: EXP533 ISS:A02
 11/12/2002



Numatic International Spare Parts
Model No: WVD1802DH (Dump Hose)

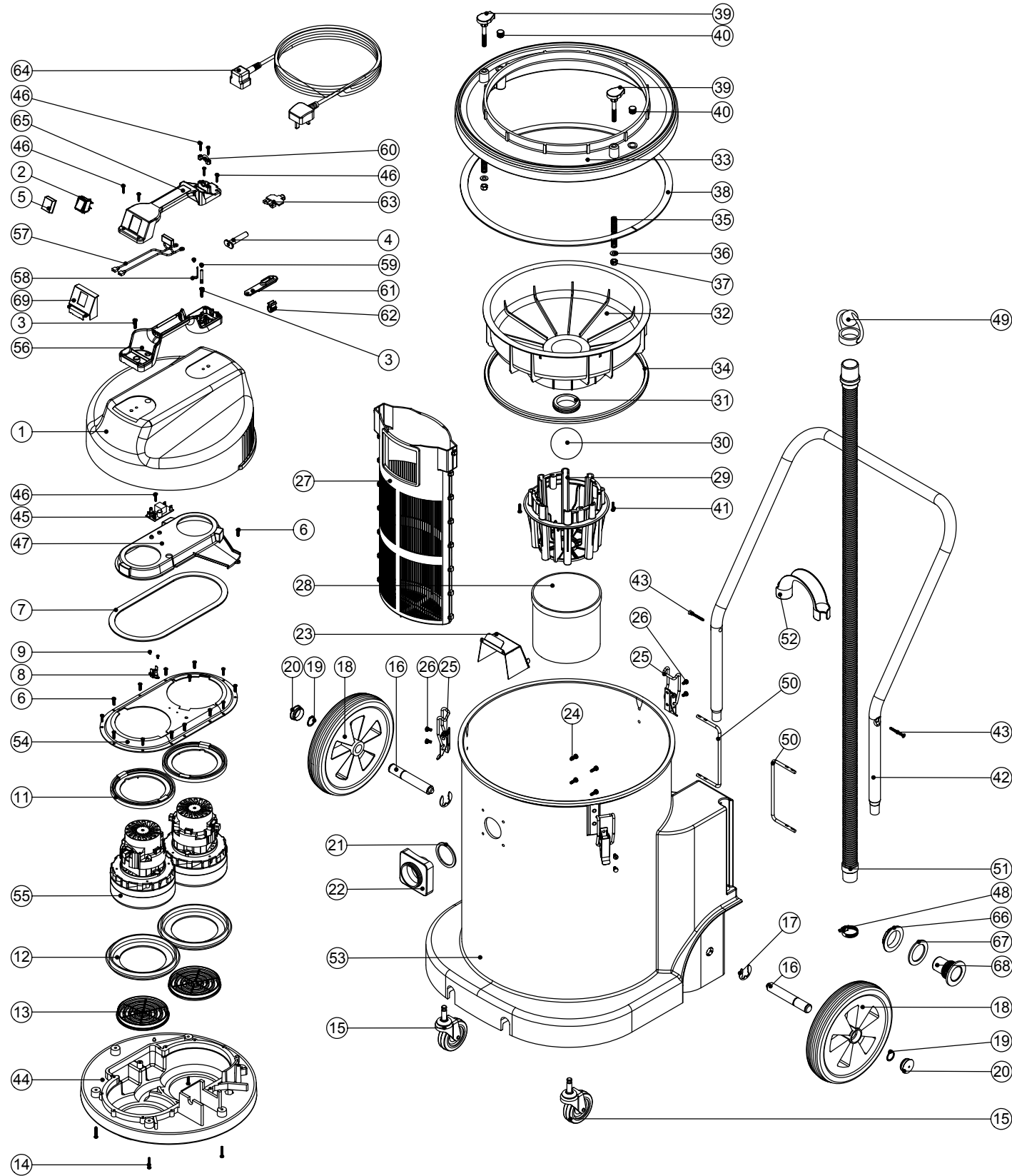
POS:	ITEM NO:	DESCRIPTION:	COMMENTS:
1	227043	COVER MOULDING	
2	320007	HANDLE MOULDING	
3	206213	HANDLE COVER	
4	220843	BLUE ROCKER SWITCH	
5	220238	SWITCH BOOT	
6	320003	200MM LONG BROWN LINK WIRE	230V MACHINES (1.0MM WIRE)
	320320	200MM LONG BROWN LINK WIRE	110/120V MACHINES (1.5MM WIRE)
7	320183	200MM LONG BLUE LINK WIRE	230V MACHINES (1.0MM WIRE)
	320322	200MM LONG BLUE LINK WIRE	110/120V MACHINES (1.5MM WIRE)
8	320093	400MM LONG GREEN/YELLOW LINK WIRE	
9	219090	M4 X 8MM LONG POZI PAN SEMS SCREW	
10	219107	No6 X 5/8 INCH LONG POZI PAN PLASTITE SCREW	
11	220131	CABLE CLAMP	
12	219546	M5 X 20MM LONG POZI PAN SEMS SCREW	
13	220232	MAINS CABLE (3 WIRE / UK PLUG)	
	220059	MAINS CABLE (3 WIRE / NO PLUG)	230V MACHINES
	220253	MAINS CABLE (3 WIRE / CEE PLUG)	
	220094	MAINS CABLE (3 WIRE / NO PLUG)	110/120V MACHINES
	220222	MAINS CABLE (3 WIRE / SWISS PLUG)	
	220839	MAINS CABLE (3 WIRE / CSA PLUG)	
	299039	MAINS CABLE (3 WIRE / AUSTRALIAN PLUG)	
	220468	MAINS CABLE (3 WIRE / 15 AMP SOUTH AFRICAN PLUG)	
	220468	MAINS CABLE (3 WIRE / CSA PLUG)	
14	220132	STRESS RELIEF SLEEVE	230V MACHINES
	220541	STRESS RELIEF SLEEVE	110/120V MACHINES
15	220288	30MM DIAMETER P-CLIP	230V MACHINES
16	219370	No8 X 5/8 INCH LONG PLASTITE STAINLESS STEEL SCREW	
17	202012	GASKET	
18	220532	THERMOSTAT	
	220659	THERMOSTAT	120V CSA SPEC MACHINES
19	219491	M5 X 3MM LONG POZI PAN TAPTITE SCREW	
20	219471	M4 X 12MM LONG POZI PAN SEMS SCREW	
21	320286	240MM LONG WHITE LINK WIRE	
22	320092	180MM LONG GREEN/YELLOW LINK WIRE	
23	202003	TOP MOTOR GASKET	
24	205060	230V BP MOTOR	
	206062	110/120V BP MOTOR	
25	219566	M4 X 6MM LONG POZI PAN SCREW	
26	202005	MOTOR BOTTOM GASKET	
27	206010	FAN GUARD	
28	219369	No8 X 1 INCH LONG POZI PAN STAINLESS STEEL PLASTITE SCREW	
29	204060	3 INCH CASTOR	
30	206452	STUB AXLE	
31	219306	E-CLIP	
32	204028	10 INCH WHEEL	
33	219308	CIRCLIP	
34	206131	BLACK PLASTIC CAP	
35	202027	HOSE FLANGE GASKET	
36	214001	DIE CAST FLANGE	
37	303482	WATER DEFLECTOR	
38	219045	M5 X 16MM LONG POZI PAN SEMS SCREW	
39	206135	TOGGLE FASTENER	
40	219047	M5 X 10MM LONG POZI PAN SEMS SCREW	
41	207110	FILTER ASSEMBLY	
42	207073	GAUZE FILTER	
43	225130	MOULDED FLOAT CAGE	
44	206026	POLYPROP BALL	
45	220235	FLOAT GROMMET	
46	225101	FLOAT MOULDING	
47	226021	BOTTOM PLATE MOULDING	
48	202036	FLOAT MOULD EXTRUSION SEAL	
49	219418	COMPRESSION SPRING	
50	219010	M8 FORM A WASHER	
51	219078	M8 NYLON INSERT NUT	
52	212024	INSEAL	
53	206242	HOOKED KNOB	
54	206243	RIBBED TUBE INSERT	
55	219568	No8 X 3/4 INCH LONG POZI PAN STAINLESS STEEL SCREW	
56	402100	BLACK HANDLE	
57	219316	No10 X 43MM LONG POZI PAN COUNTER SUNK PLASTITE SCREW	
58	220289	SUPPRESSOR	230V MACHINES
59	225063	TOP MOTOR HOUSING	
60	301048	PROCESSED BOTTOM MOTOR HOUSING	
61	220555	230V DELAY START MODULE	
	220556	110/120V DELAY START MODULE	
62	320294	WHITE LINK WIRE	
63	220682	SUPPRESSOR ASSEMBLY	110/120V MACHINES
64	320287	220MM LONG BROWN LINK WIRE	110/120V MACHINES
65	220575	260MM LONG BLUE LINK WIRE	110/120V MACHINES
66	320293	260MM LONG BROWN LINK WIRE	
67	225154	AIR SEPARATOR DUPLEX	
68	300144	WV1800DH GREY PROCESSED DRUM	
	300145	WV1800DH RED PROCESSED DRUM	
	300146	WV1800DH BLUE PROCESSED DRUM	
	300147	WV1800DH GREEN PROCESSED DRUM	
	300148	WV1800DH YELLOW PROCESSED DRUM	
69	213039	DUMP HOSE	
70	219674	30/40MM DIAMETER STAINLESS STEEL JUBILEE CLIP	
71	206116	BLACK NUT	
72	219310	RUBBER WASHER	
73	206228	DRAIN HOSE CONNECTOR	
74	206111	HOSE CLOSURE	
75	302098	HOSE BRACKET	

Numatic International Spare Parts

Model No:WVD 1800DH-2 EXPLODED DRAWING

234294

DRAWING: EXP-0725 ISS:A01
16/11/2004



Numatic International Spare Parts

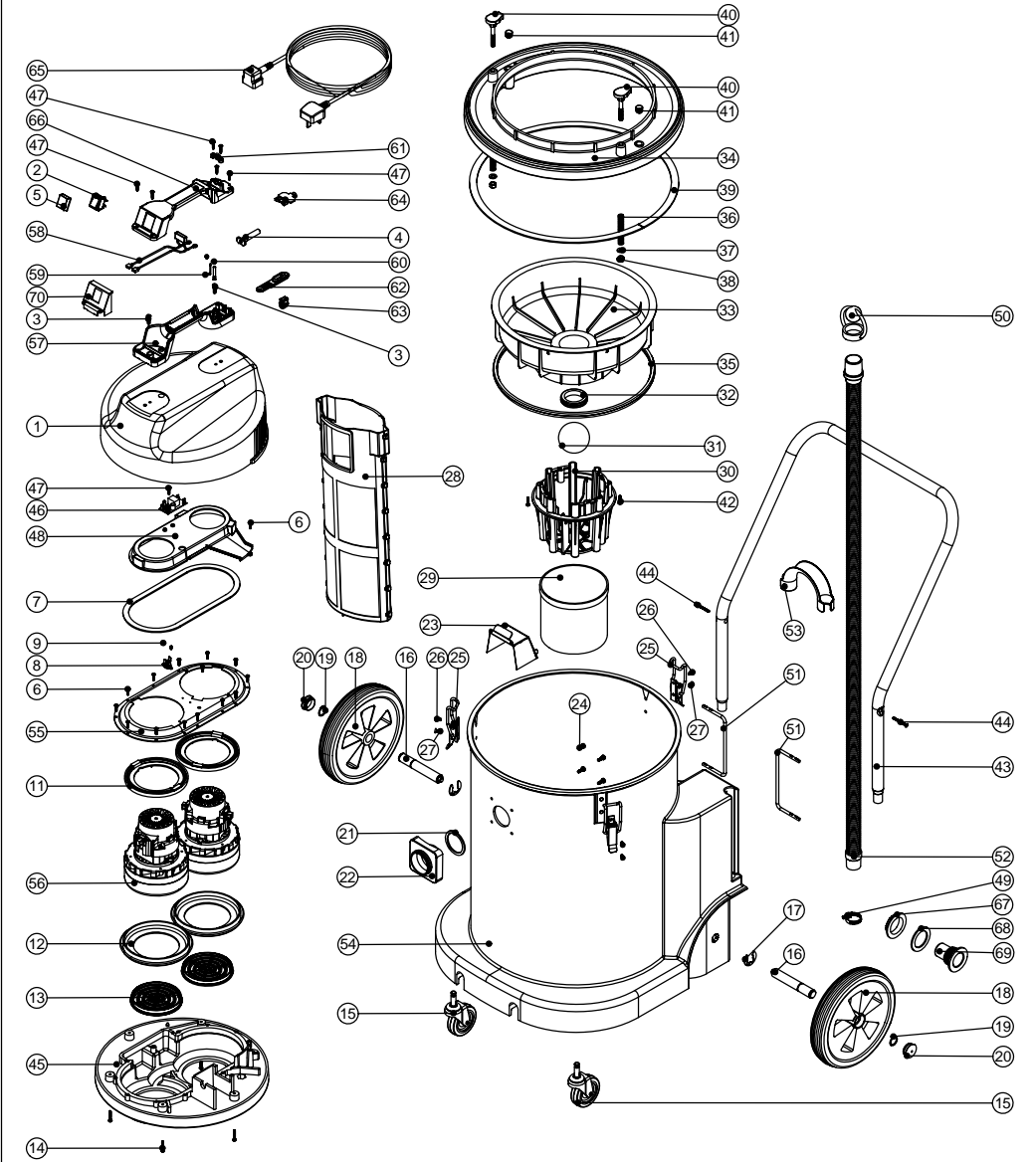
Model No: WVD 1800DH-2 EXPLODED DRAWING

POS:	ITEM NO:	DESCRIPTION:	COMMENTS:
1	227043	COVER MOULDING	
2	220843	BLUE ROCKER SWITCH	
3	219546	M5 X 20MM LONG POZI PAN SEMS SCREW	
4	220132	STRESS RELIEF SLEEVE	
5	220238	SWITCH BOOT	
6	219370	No8 X 5/8 INCH LONG PLASTITE STAINLESS STEEL SCREW	
7	202012	GASKET	
8	220532	THERMOSTAT	
9	219491	M5 X 3MM LONG POZI PAN TAPTITE SCREW	
10	219471	M4 X 12MM LONG POZI PAN SEMS SCREW	
11	227925	TOP MOTOR GASKET	
12	202005	MOTOR BOTTOM GASKET	
13	206010	FAN GUARD	
14	219369	No8 X 1 INCH LONG POZI PAN STAINLESS STEEL PLASTITE SCREW	
15	204060	3 INCH CASTOR	
16	206452	STUB AXLE	
17	219306	E-CLIP	
18	204028	10 INCH WHEEL	
19	219308	CIRCLIP	
20	206131	BLACK PLASTIC CAP	
21	202027	HOSE FLANGE GASKET	
22	214001	DIE CAST FLANGE	
23	303482	WATER DEFLECTOR	
24	219045	M5 X 16MM LONG POZI PAN SEMS SCREW	
25	206135	TOGGLE FASTENER	
26	219047	M5 X 10MM LONG POZI PAN SEMS SCREW	
27	207110	FILTER ASSEMBLY	
28	207073	GAUZE FILTER	
29	225130	MOULDED FLOAT CAGE	
30	206026	POLYPROP BALL	
31	220235	FLOAT GROMMET	
32	225101	FLOAT MOULDING	
33	226021	BOTTOM PLATE MOULDING	
34	202036	FLOAT MOULD EXTRUSION SEAL	
35	219418	COMPRESSION SPRING	
36	219010	M8 FORM A WASHER	
37	219078	M8 NYLON INSERT NUT	
38	212024	INSEAL	
39	206242	HOOKED KNOB	
40	206243	RIBBED TUBE INSERT	
41	219568	No8 X 3/4 INCH LONG POZI PAN STAINLESS STEEL SCREW	
42	402100	BLACK HANDLE	
43	219316	No10 X 43MM LONG POZI PAN COUNTER SUNK PLASTITE SCREW	
44	301048	PROCESSED BOTTOM MOTOR HOUSING	
45	220555	230V DELAY START MODULE	
	220556	115V DELAY START MODULE	
46	219107	No6 X 5/8 INCH LONG POZI PAN PLASTITE SCREW	
47	227928	570 AIR SEPERATOR (LAMB BYPASS MOTOR DUPLEX)	
48	219674	30/40MM DIAMETER STAINLESS STEEL JUBILEE CLIP	
49	206111	HOSE CLOSURE	
50	302098	HOSE BRACKET	
51	213038	1400MM LONG DUMP HOSE	
52	206512	HOSE HOOK	
53	300227	WV/D1800PH GREY PROCESSED DRUM	
	300228	WV/D1800PH RED PROCESSED DRUM	
	300229	WV/D1800PH BLUE PROCESSED DRUM	
	300230	WV/D1800PH GREEN PROCESSED DRUM	
	300231	WV/D1800PH YELLOW PROCESSED DRUM	
54	325526	TOP MOTOR HOUSING (DUPLEX)	
55	205411	240V 2 STAGE D.I BYPASS ACUSTEK MOTOR (BL21104)(MARKED 230V)	
	205409	120V 2 STAGE D.I BYPASS ACUSTEK MOTOR (BL21101)	
56	320835	HANDLE BASE MOULDING + INSERTS	
57	220142	SUPPRESSOR ASSEMBLY	
	220558	SUPPRESSOR ASSEMBLY	
58	206562	CONTACT PIN	
59	219090	M4 X 8MM LONG POZI PAN SEMS SCREW	
60	227564	PLUG LOCATION CLAMP	
61	227636	STRAIN RELIEF	
62	227637	CABLE CLIP	
63	227632	TERMINAL COVER & CLAMP	
64	236009	10.0M X 1.00MM X 2 CORE NUCABLE (UK PLUG)	
	236013	10.0M X 1.00MM X 2 CORE NUCABLE (EURO PLUG)	
	236017	10.0M X 1.00MM X 2 CORE NUCABLE (SWISS PLUG)	
	236021	10.0M X 1.00MM X 2 CORE NUCABLE (SOUTH AFRICA PLUG)	
	236029	10.0M X 1.00MM X 2 CORE NUCABLE (AUSTRALIA PLUG)	
	236065	10M X 2CORE X 2.5MM CABLE PLUS 32AMP INDUSTRIAL PLUG	
65	227625	HANDLE COVER (10AMP / 2 PIN / 1 SWITCH)	
	227627	HANDLE COVER HARD WIRE 1 SWITCH	
66	206116	BLACK NUT	
67	219310	RUBBER WASHER	
68	206228	DRAIN HOSE CONNECTOR	
69	227635	SWITCH MOUNTING BRACKET (1 SWITCH)	

Numatic International Spare Parts

Model No:WVD 1800DH-2 EXPLODED DRAWING

234294
DRAWING: EXP-0725 ISS:A03
30/10/2007



Numatic International Spare Parts

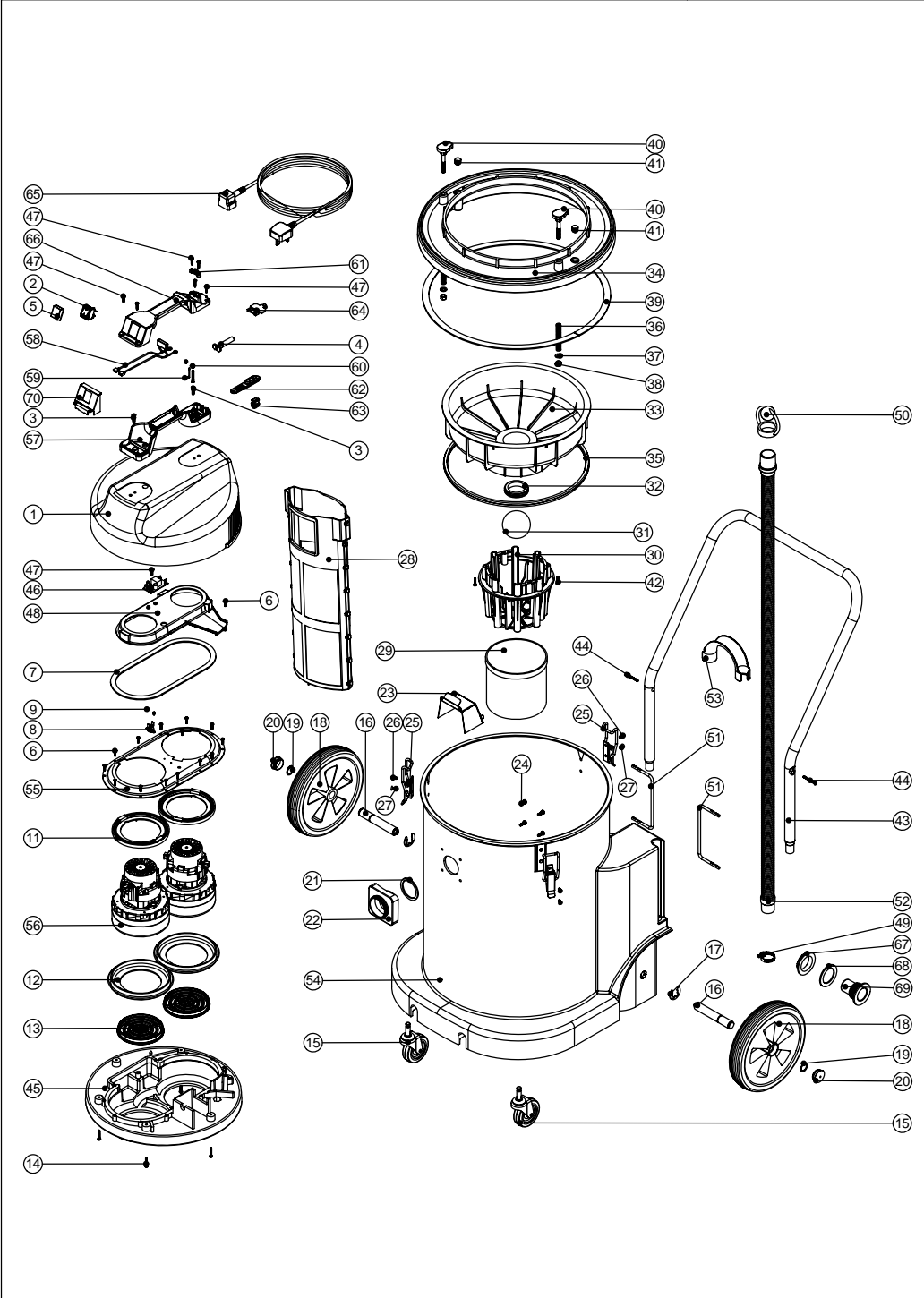
Model No: WVD 1800DH-2 EXPLODED DRAWING

POS:	ITEM NO:	DESCRIPTION:	COMMENTS:
1	227043	COVER MOULDING	
2	220843	BLUE ROCKER SWITCH	
3	219546	M5 X 20MM LONG POZI PAN SEMS SCREW	
4	220132	STRESS RELIEF SLEEVE	
5	220238	SWITCH BOOT	
6	219370	No8 X 5/8 INCH LONG PLASTITE STAINLESS STEEL SCREW	
7	202012	GASKET	
8	220532	THERMOSTAT	
9	219491	M5 X 3MM LONG POZI PAN TAPTITE SCREW	
10	219471	M4 X 12MM LONG POZI PAN SEMS SCREW	
11	227925	TOP MOTOR GASKET	
12	202005	MOTOR BOTTOM GASKET	
13	206010	FAN GUARD	
14	219369	No8 X 1 INCH LONG POZI PAN STAINLESS STEEL PLASTITE SCREW	
15	204060	3 INCH CASTOR	
16	206452	STUB AXLE	
17	219306	E-CLIP	
18	204028	10 INCH WHEEL	
19	219308	CIRCLIP	
20	206131	BLACK PLASTIC CAP	
21	202027	HOSE FLANGE GASKET	
22	214001	DIE CAST FLANGE	
23	303482	WATER DEFLECTOR	
24	219045	M5 X 16MM LONG POZI PAN SEMS SCREW	
25	206135	TOGGLE FASTENER	
26	219047	M5 X 10MM LONG POZI PAN SEMS SCREW	
27	219330	M5 X 12MM LONG POZI PAN COUNTRSUNK SCREW	
28	207110	FILTER ASSEMBLY	
29	207073	GAUZE FILTER	
30	225130	MOULDED FLOAT CAGE	
31	206026	POLYPROP BALL	
32	220235	FLOAT GROMMET	
33	225101	FLOAT MOULDING	
34	226021	BOTTOM PLATE MOULDING	
35	202036	FLOAT MOULD EXTRUSION SEAL	
36	219418	COMPRESSION SPRING	
37	219010	M8 FORM A WASHER	
38	219078	M8 NYLON INSERT NUT	
39	212024	INSEAL	
40	206242	HOOKEK NOB	
41	206243	RIBBED TUBE INSERT	
42	219568	No8 X 3/4 INCH LONG POZI PAN STAINLESS STEEL SCREW	
43	402100	BLACK HANDLE	
44	219316	No10 X 43MM LONG POZI PAN COUNTER SUNK PLASTITE SCREW	
45	301048	PROCESSED BOTTOM MOTOR HOUSING	
46	220555	230V DELAY START MODULE	
	220556	115V DELAY START MODULE	
47	219107	No6 X 5/8 INCH LONG POZI PAN PLASTITE SCREW	
48	227928	570 AIR SEPERATOR (LAMB BYPASS MOTOR DUPLEX)	
49	219674	30/40MM DIAMETER STAINLESS STEEL JUBILEE CLIP	
50	206111	HOSE CLOSURE	
51	302098	HOSE BRACKET	
52	213038	1400MM LONG DUMP HOSE	
53	206512	HOSE HOOK	
54	300144	WV/D1800DH GREY PROCESSED DRUM	
	300145	WV/D1800PH RED PROCESSED DRUM	
	300146	WV/D1800PH BLUE PROCESSED DRUM	
	300147	WV/D1800PH GREEN PROCESSED DRUM	
	300148	WV/D1800PH YELLOW PROCESSED DRUM	
55	325526	TOP MOTOR HOUSING (DUPLX)	
56	205411	240V 2 STAGE D.I BYPASS ACUSTEK MOTOR (BL21104)(MARKED 230V)	
	205409	120V 2 STAGE D.I BYPASS ACUSTEK MOTOR (BL21101)	
57	320835	HANDLE BASE MOULDING + INSERTS	
58	220142	SUPPRESSOR ASSEMBLY	
	220558	SUPPRESSOR ASSEMBLY	
59	206562	CONTACT PIN	
60	219090	M4 X 8MM LONG POZI PAN SEMS SCREW	
61	227564	PLUG LOCATION CLAMP	
62	227636	STRAIN RELIEF	
63	227637	CABLE CLIP	
64	227632	TERMINAL COVER & CLAMP	
65	236009	10.0M X 1.00MM X 2 CORE NUCABLE (UK PLUG)	
	236013	10.0M X 1.00MM X 2 CORE NUCABLE (EURO PLUG)	
	236017	10.0M X 1.00MM X 2 CORE NUCABLE (SWISS PLUG)	
	236021	10.0M X 1.00MM X 2 CORE NUCABLE (SOUTH AFRICA PLUG)	
	236029	10.0M X 1.00MM X 2 CORE NUCABLE (AUSTRALIA PLUG)	
	236065	10M X 2CORE X 2.5MM CABLE PLUS 32AMP INDUSTRIAL PLUG	
	227627	HANDLE COVER HARD WIRE 1 SWITCH	
66	227625	HANDLE COVER (10AMP / 2 PIN / 1 SWITCH)	
67	206116	BLACK NUT	
68	219310	RUBBER WASHER	
69	206228	DRAIN HOSE CONNECTOR	
70	227635	SWITCH MOUNTING BRACKET (1 SWITCH)	

Numatic International Spare Parts

Model No:WVD 1800DH-2 EXPLODED DRAWING

234294
DRAWING: EXP-0725 ISS:A04
26/06/2008



Numatic International Spare Parts

Model No: WVD 1800DH-2 EXPLODED DRAWING

POS:	ITEM NO:	DESCRIPTION:	COMMENTS:
1	227043	COVER MOULDING	
2	220843	BLUE ROCKER SWITCH	
3	219546	M5 X 20MM LONG POZI PAN SEMS SCREW	
4	220132	STRESS RELIEF SLEEVE	
5	220238	SWITCH BOOT	
6	219370	No8 X 5/8 INCH LONG PLASTITE STAINLESS STEEL SCREW	
7	202012	GASKET	
8	220532	THERMOSTAT	
9	219491	M5 X 3MM LONG POZI PAN TAPTITE SCREW	
10	219471	M4 X 12MM LONG POZI PAN SEMS SCREW	
11	227925	TOP MOTOR GASKET	
12	202005	MOTOR BOTTOM GASKET	
13	206010	FAN GUARD	
14	219369	No8 X 1 INCH LONG POZI PAN STAINLESS STEEL PLASTITE SCREW	
15	204060	3 INCH CASTOR	
16	206452	STUB AXLE	
17	219306	E-CLIP	
18	204028	10 INCH WHEEL	
19	219308	CIRCLIP	
20	206131	BLACK PLASTIC CAP	
21	202027	HOSE FLANGE GASKET	
22	214001	DIE CAST FLANGE	
23	303482	WATER DEFLECTOR	
24	219045	M5 X 16MM LONG POZI PAN SEMS SCREW	
25	206135	TOGGLE FASTENER	
26	219047	M5 X 10MM LONG POZI PAN SEMS SCREW	
27	219330	M5 X 12MM LONG POZI PAN COUNTRSUNK SCREW	
28	207110	FILTER ASSEMBLY	
29	207073	GAUZE FILTER	
30	225130	MOULDED FLOAT CAGE	
31	206026	POLYPROP BALL	
32	220235	FLOAT GROMMET	
33	225101	FLOAT MOULDING	
34	226021	BOTTOM PLATE MOULDING	
35	202036	FLOAT MOULD EXTRUSION SEAL	
36	219418	COMPRESSION SPRING	
37	219010	M8 FORM A WASHER	
38	219078	M8 NYLON INSERT NUT	
39	212024	INSEAL	
40	206242	HOOKEK NOB	
41	206243	RIBBED TUBE INSERT	
42	219568	No8 X 3/4 INCH LONG POZI PAN STAINLESS STEEL SCREW	
43	402100	BLACK HANDLE	
44	219316	No10 X 43MM LONG POZI PAN COUNTER SUNK PLASTITE SCREW	
45	301048	PROCESSED BOTTOM MOTOR HOUSING	
46	220555	230V DELAY START MODULE	
	220556	115V DELAY START MODULE	
47	219107	No6 X 5/8 INCH LONG POZI PAN PLASTITE SCREW	
48	227928	570 AIR SEPERATOR (LAMB BYPASS MOTOR DUPLEX)	
49	219674	30/40MM DIAMETER STAINLESS STEEL JUBILEE CLIP	
50	206111	HOSE CLOSURE	
51	302098	HOSE BRACKET	
52	213038	1400MM LONG DUMP HOSE	
53	206512	HOSE HOOK	
54	300144	WV/D1800DH GREY PROCESSED DRUM	
	300145	WV/D1800PH RED PROCESSED DRUM	
	300146	WV/D1800PH BLUE PROCESSED DRUM	
	300147	WV/D1800PH GREEN PROCESSED DRUM	
	300148	WV/D1800PH YELLOW PROCESSED DRUM	
55	325526	TOP MOTOR HOUSING (DUPLX)	
56	205411	240V 2 STAGE D.I BYPASS ACUSTEK MOTOR (BL21104)(MARKED 230V)	
	205409	120V 2 STAGE D.I BYPASS ACUSTEK MOTOR (BL21101)	
57	320835	HANDLE BASE MOULDING + INSERTS	
58	220142	SUPPRESSOR ASSEMBLY	
	220558	SUPPRESSOR ASSEMBLY	
59	206562	CONTACT PIN	
60	219090	M4 X 8MM LONG POZI PAN SEMS SCREW	
61	227564	PLUG LOCATION CLAMP	
62	227636	STRAIN RELIEF	
63	227637	CABLE CLIP	
64	227632	TERMINAL COVER & CLAMP	
65	236009	10.0M X 1.00MM X 2 CORE NUCABLE (UK PLUG)	
	236013	10.0M X 1.00MM X 2 CORE NUCABLE (EURO PLUG)	
	236017	10.0M X 1.00MM X 2 CORE NUCABLE (SWISS PLUG)	
	236021	10.0M X 1.00MM X 2 CORE NUCABLE (SOUTH AFRICA PLUG)	
	236029	10.0M X 1.00MM X 2 CORE NUCABLE (AUSTRALIA PLUG)	
	236065	10M X 2CORE X 2.5MM CABLE PLUS 32AMP INDUSTRIAL PLUG	HARDWIRED VERSION
	236063	10.0MT X 3CORE X 14AWG (YELLOW) SJTW 5-15P PLUG CSA	HARDWIRED VERSION
	227627	HANDLE COVER HARD WIRE 1 SWITCH	
66	227625	HANDLE COVER (10AMP / 2 PIN / 1 SWITCH)	
67	206116	BLACK NUT	
68	219310	RUBBER WASHER	
69	206228	DRAIN HOSE CONNECTOR	
70	227635	SWITCH MOUNTING BRACKET (1 SWITCH)	