

Numatic International Spare Parts

Model No: HEAD STYLE 4 ASSEMBLY 1/2 STAGE 1/2-SPEED EXPLODED

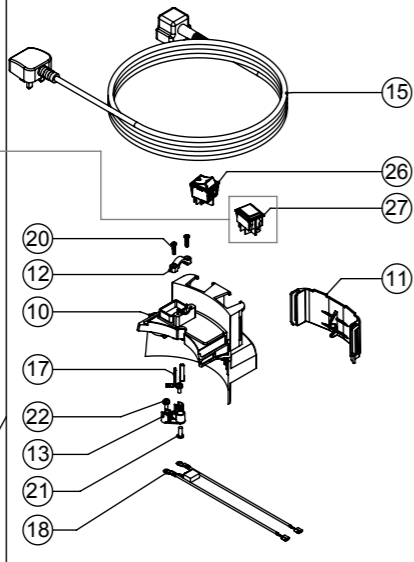
N/A
DRAWING: DRW-16814 ISS:A20
25/01/2018

Models: JVP, JVH, PSP, PSH, VNP
(NUV, NVP, NVH (EU))

FOR USE WITH SINGLE SWITCH ONLY



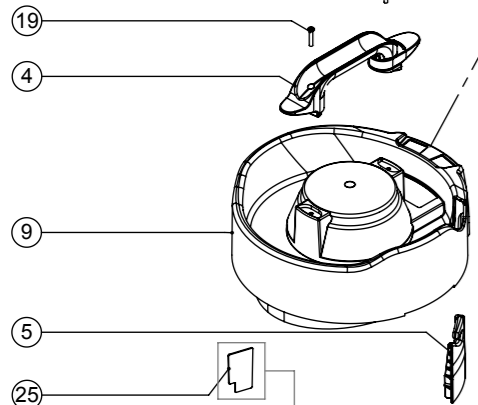
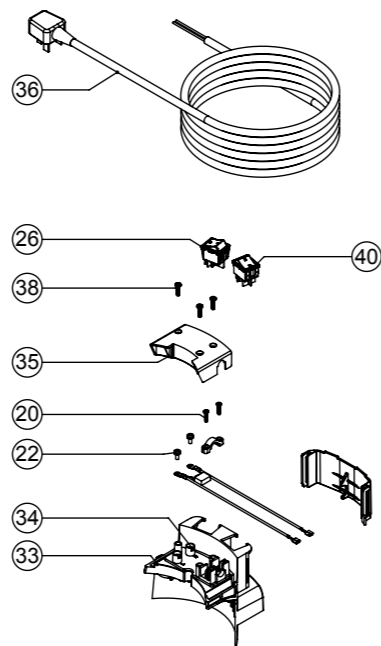
PLUGGED - SINGLE SPEED



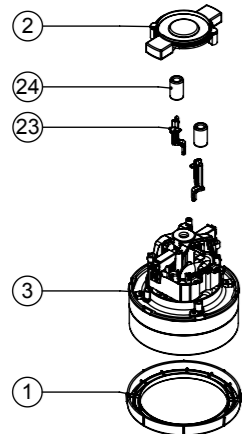
FOR USE WITH 2-SPEED



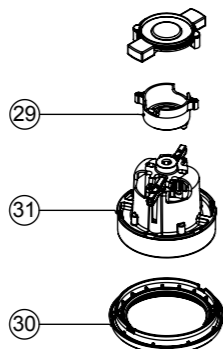
HARD WIRED - 2 SPEED



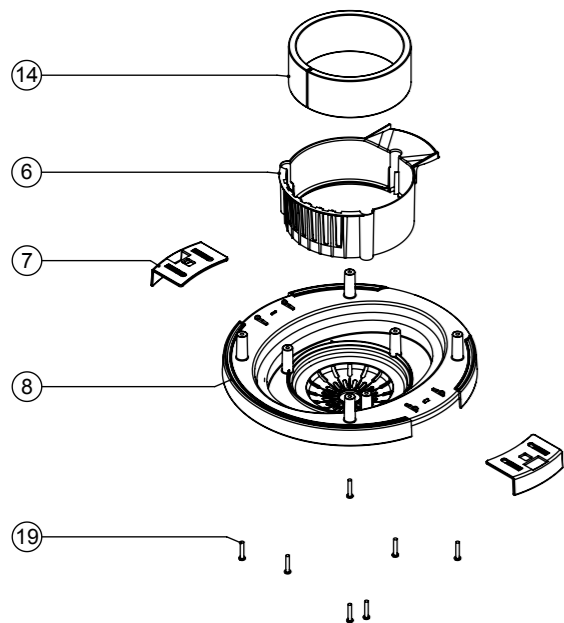
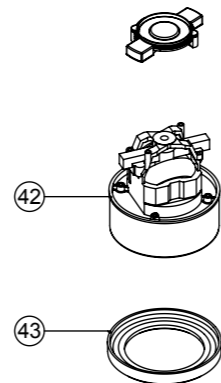
DT2603T/DT2803T MOTORS



DL1653T/DL1423T MOTORS



DL21104T MOTORS



Numatic International Spare Parts

Model No: HEAD STYLE 4 ASSEMBLY 1/2 STAGE 1/2-SPEED EXPLODED

ITEM:	PART No:	Description	QTY.	Comments
1	237675	MOTOR GASKET 2 STAGE ECO	1	
2	229614	MOTOR PLATE BI -MATERIAL	1	
3	205740	230V 2 STAGE 600W ECO THRO FLOW FAN MOTOR (DL2603T) TCO	1	
4	906074	CABLE MANAGEMENT HANDLE	1	
5	237079	CABLE EXIT NPV/NHV	1	
6	229621	AIR GUIDE	1	
7	237115	NRV HARD EDGE TOGGLE	2	
8	908879	NRV BOTTOM MOTOR HOUSING	1	
9	-	TOP MOTOR HOUSING (HEAD STYLE 4) 2 SWITCH - INC. PCB	1	Contact Numatic for details
10	237076	SWITCH HOUSING PLUGGED	1	
11	229623	SWITCH COVER	1	
12	227564	PLUG LOCATION CLAMP	1	
13	325912	NPV / NHV TERMINAL BLOCK PLUS INSERTS	1	
14	203020	POD SIDE FELT	1	
15	236009	10.0M X 1.00MM X 2 CORE NUCABLE (UK PLUG)	1	CONTACT NUMATIC FOR MORE DETAILS
	236013	10.0MT X 1MM X 2 CORE CABLE (SOCKET + PLUG) EURO		
17	206562	CONTACT PIN	2	
18	230170	SUPPRESSOR WIRE ASSY NPV/NHV	1	
19	291082	#8 SCREW 1"L T20 PAN HEAD P/L THREAD FORMING	9	
20	219107	NO6.5/8 INCH LG.POZI-PAN.SCREW.Z/PL.PLASTITE	2	
21	291152	NO8.1/2 INCH LG.T20.SCREW.Z/PL.PLASTITE	1	
22	291151	M4 X 10MM LONG T20 SEMS SCREW Z/PL - PRODUCT CODE 8.8 - TX20 HEAD	2	
23	208955	CLIP RETAINER FERRITE BEAD (DL2 MOTOR)	2	
24	230097	AXIAL FERRITE BEAD	2	
25	208951	PCB BLANKING PLATE	1	
26	230253	EVEREL ROCKER SWITCH	1	
27	208885	NEON INDICATOR (EVEREL, B71121G000000)	1	
28	227957	BLANKING PLATE	1	
29	237480	ADAPTOR MOTOR (DL1 603T)	1	
30	237089	BOTTOM MOTOR GASKET - CUP MOTOR	1	
31	205840	230V SINGLE STAGE THRO FLOW FAN MOTOR (DL1 653T) TCO (620)	1	
	901792	230V SINGLE STAGE THRO FLOW FAN MOTOR (DL1 423T) TCO (420)		
33	237077	SWITCH HOUSING HARD-WIRED	1	
34	219009	M4 BRASS TAPPEX INSERT	2	
35	237080	NHV HARDWIRED SWITCH HOUSING COVER (BLACK)	1	
36	236033	10.0M X 1.00MM X 2 CORE CABLE (UK PLUG)	1	CONTACT NUMATIC FOR MORE DETAILS
	236034	10.0MT X 1.0MM X 2 CORE EURO PLUG		
38	219105	No8 X 5/8 INCH LONG POZI PAN PLASTITE SCREW	3	
39	237082	BLANKING PLUG - ROCKER SWITCH	1	
40	220243	SWITCH.SPDT.RKR.HV	1	
41	324064	NUMATIC 2 SPEED CONTROL PCB (230V) RED BOARD DRILLED 4MM	1	
42	205403	230V 2 STAGE THRO FLOW TAPER FAN MOTOR (DL21104T) TCO	1	
43	227882	BOTTOM MOTOR GASKET	1	