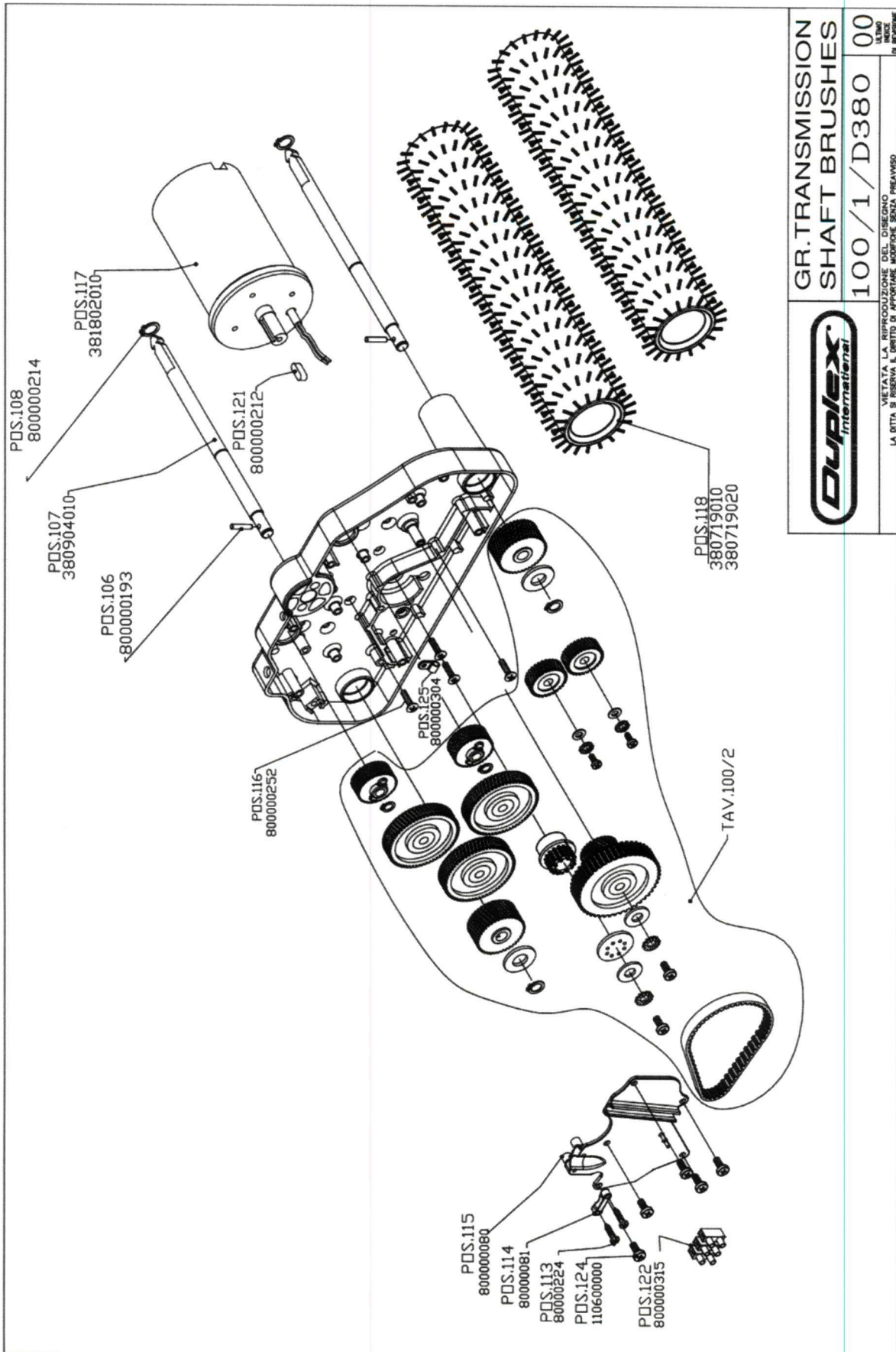


Table 380100 012018 00380 100 1

Model TURBO 380 122017



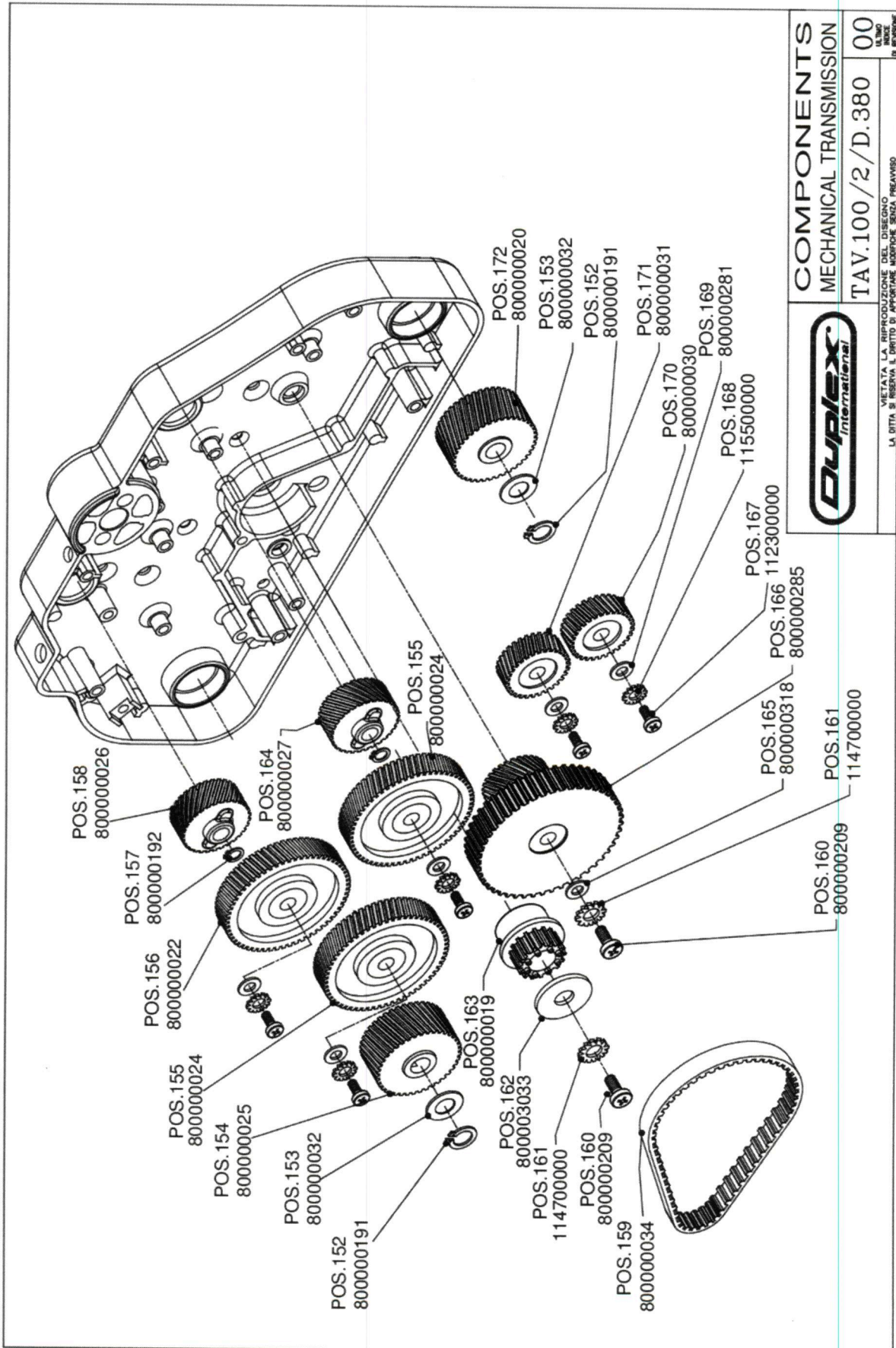
	GR. TRANSMISSION	100 / 1 / D380	00
	SHAFT BRUSHES		
<small>VIETATA LA RIPRODUZIONE DEL CONTENUTO LA DITTA SI RISERVA IL DIRITTO DI APPORTARE MODIFICHE SENZA PREAVVISO</small>			

**Table 380100 012018 00380 100 1****Model TURBO 380 122017**

Pos.	Article Code	Description
106	800000193	CYLINDRIC PIN 4X20
107	380904010	BRUSH SHAFT 380
108	800000214	SEEGER D 12 (BRUSHES SHAFT)
113	800000224	SCREW TCB 3,9X16
114	800000081	CABLE STAY
115	800000080	INSIDE SUMP 280/380
116	800000252	SCREW TSP CROSS M5X16
117	381802010	MOTOR 200W 36V
118	380719010	GREY BRUSH
118	380719020	BLACK BRUSH
121	800000212	MOTOR KEY 5X5X12 UNI6607 A
122	800000315	3 POLES TERMINAL BLOCK
124	110600000	SCREW T.T. 5X12

Table 380102 012018 00380 100 2

Model TURBO 380 122017



	COMPONENTS	00
	MECHANICAL TRANSMISSION	00
TAV.100/2/D.380		00
<small>VIETATA LA RIPRODUZIONE DEL DISEGNO LA DITTA SI RISERVA IL DIRITTO DI APPORTARE MODIFICHE SENZA PREAVVISO</small>		



**Table 380102 012018 00380 100 2**

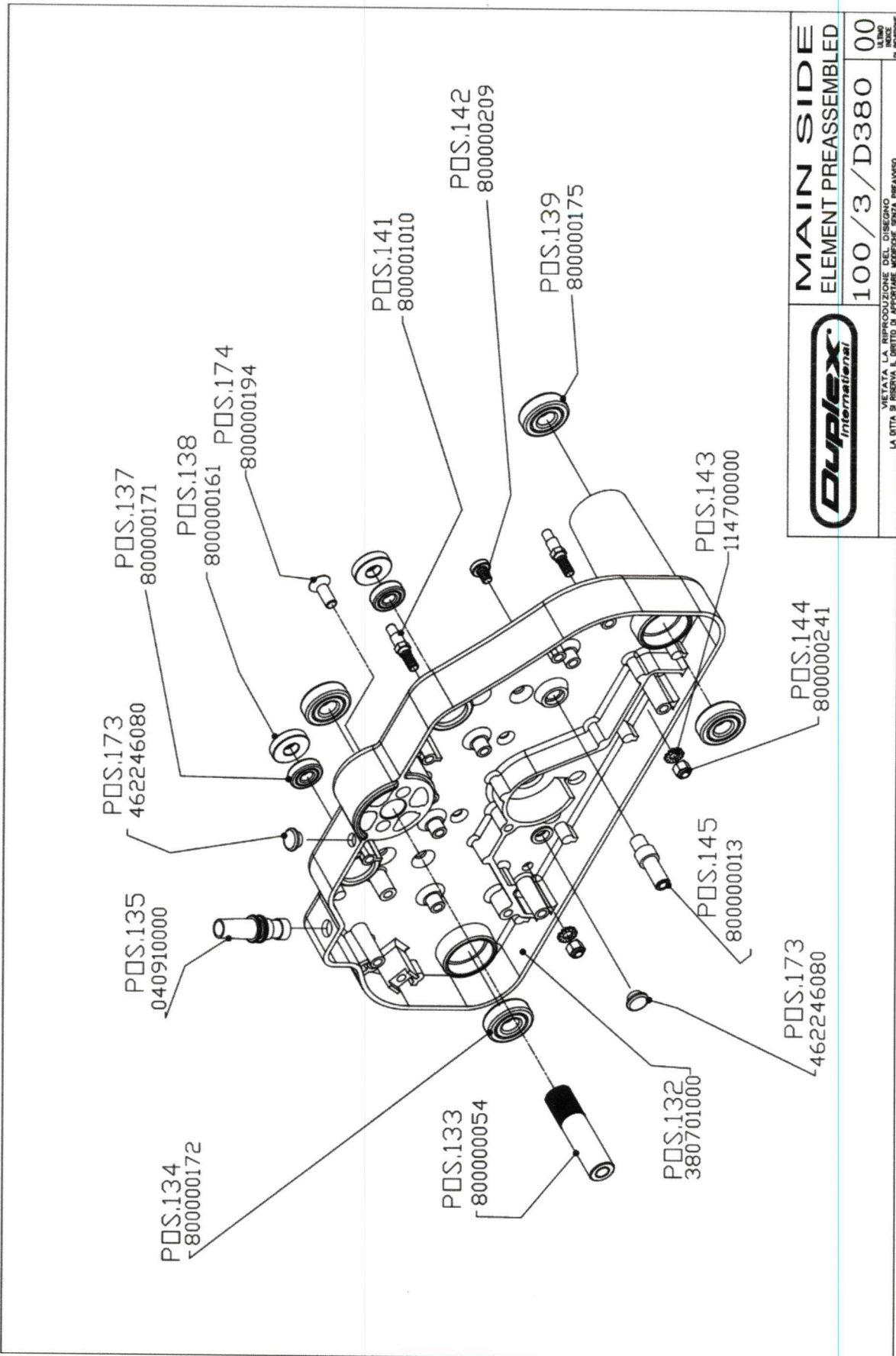
**Model TURBO 380 122017**

Pos.	Article Code	Description
152	800000191	SEEGER D.10 (SHAFT)
153	800000032	WASHER 10X16X0,5
154	800000025	GEAR RIGHT (BRUSH)
155	800000024	GEAR Z60 G. LEFT
156	800000022	GEAR Z60 G. RIGHT
157	800000192	SEEGER D 8
158	800000026	GEAR LEFT (CYLINDER)
159	800000034	BELT HTD 305 5M 9 O.HP
160	800000209	SCREW TB CROSS M5X12
161	114700000	WASHER THTD D5
162	800003033	WASHER 380
163	800000019	PULLEY HTD Z16 5M
164	800000027	GEAR RIGHT (CYLINDER) Z32
165	800000318	WASHER 5X10X1
166	800000285	PULLEY Z48 WITH GEAR Z 30
167	112300000	TC SCREW 4X10 ZINC
168	115500000	WASHER THTD D.4
169	800000281	WASHER D 4X12
170	800000030	GEAR RIGHT Z30
171	800000031	GEAR LEFT Z30
172	800000020	GEAR LEFT (BRUSH)



Table 380103 012018 00380 100 3

Model TURBO 380 122017



	<b>MAIN SIDE</b>	
	ELEMENT PREASSEMBLED	
100/3/D380		00
<small>VIETATA LA RIPRODUZIONE DEL DISEGNO SENZA IL CONSENSO DELLA DITTA LA DITTA SI RISERVA IL DIRITTO DI APPORTARE MODIFICHE SENZA PREAVVISO</small>		

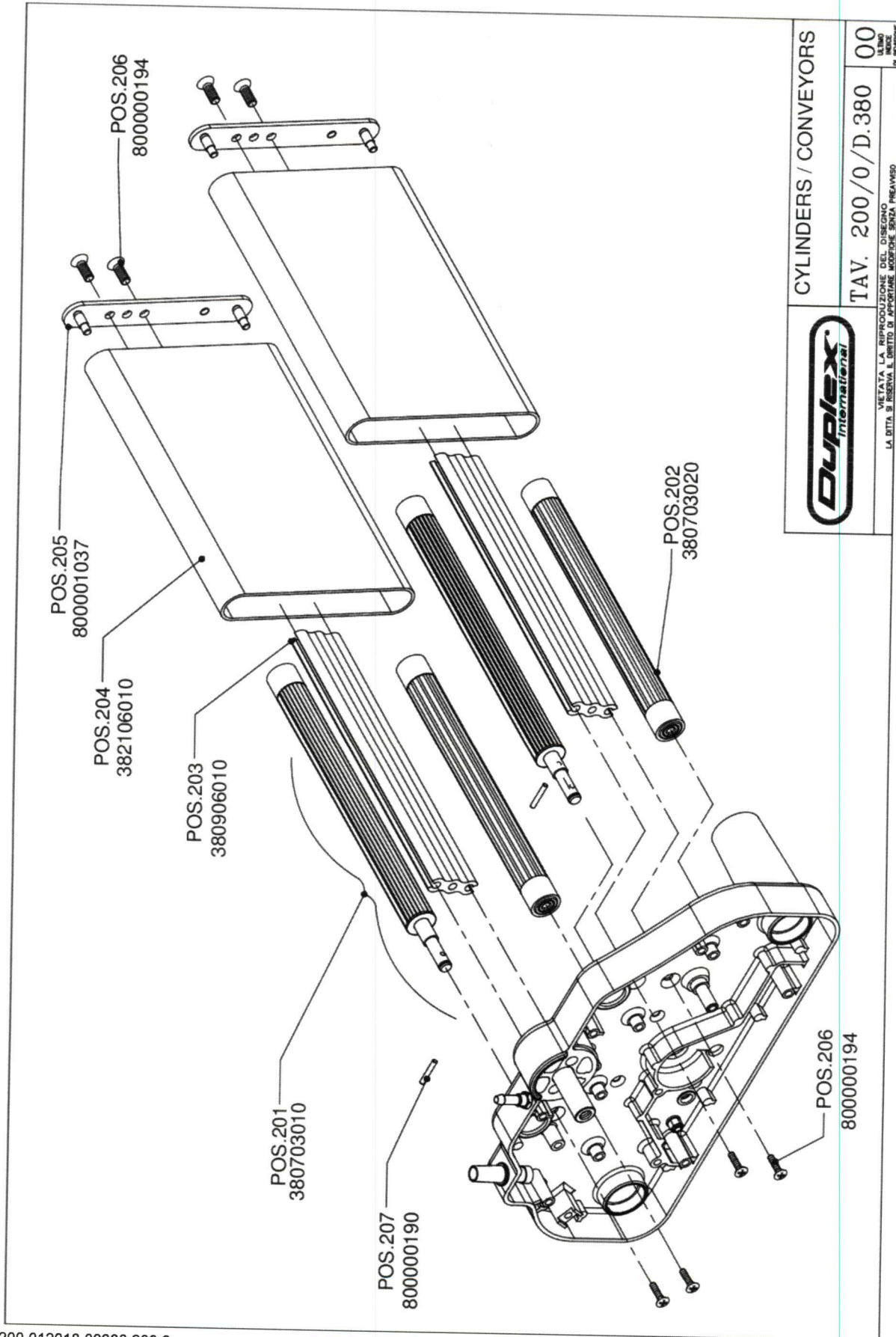
**Table 380103 012018 00380 100 3**


**Model TURBO 380 122017**

Pos.	Article Code	Description
132	380701000	MAIN SIDE ELEMENT ASSEMBL 380
133	800000054	PIN HANDLE SUPPORT
134	800000172	BEARING 6000 ZZ 26X10X8
135	040910000	FAIRLEAD BLACK 11078.1.2 PVC
137	800000171	BEARING 608 ZZ 22X8X7
138	800000161	GASKET 10X22X7 MOTOR CYLINDER
139	800000175	BEARING 6001 2RS FOR BRUSH SHAFT
141	800001010	CYLINDER SHAFT D18 from serial 3030
142	800000209	SCREW TB CROSS M5X12
143	114700000	WASHER THTD D5
144	800000241	NUT M5
145	800000013	SHAFT FOR PULLEY
173	462246080	POLYCAP BLK FOR HOLE
174	800000194	SCREW TS PH M6X16

Table 380200 012018 00380 200 0

Model TURBO 380 122017



	CYLINDERS / CONVEYORS	
	TAV. 200/0/D.380	00
VIETATA LA RIPRODUZIONE DEL DISEGNO LA BTTA E' OBBLIGATA A PORTARE SEMPRE SENZA PREAVVISO		

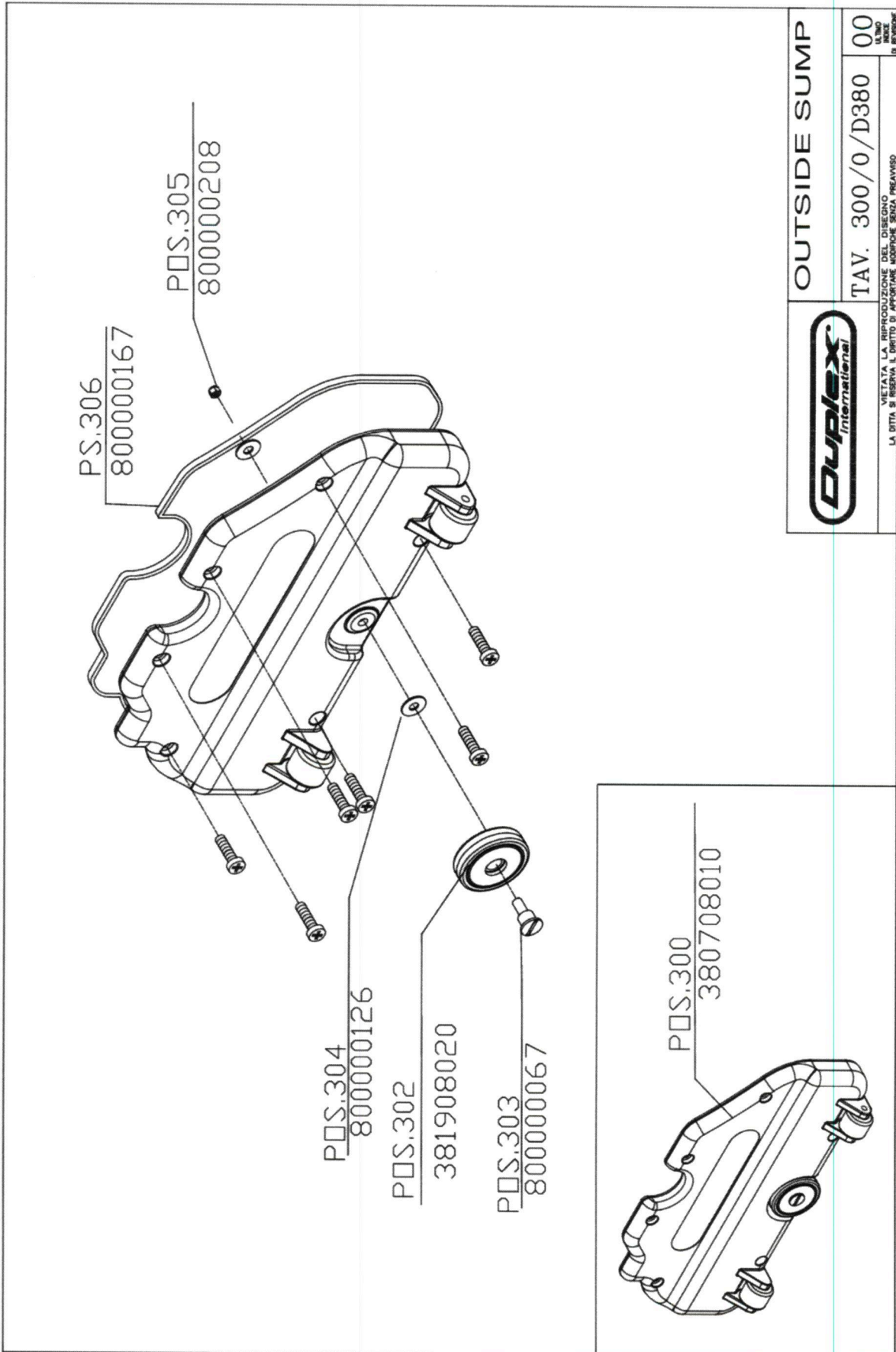


**Table 380200 012018 00380 200 0****Model TURBO 380 122017**

Pos.	Article Code	Description
201	380703010	MOTOR CYLINDER COMPLETE 380
202	380703020	IDLE CYLINDER COMPLETE 380
203	380906010	SPACER 380 L =321,5
204	382106010	CONVEYOR BELT 380 NBR 60ShA
205	800001037	CYLINDER SUPPORT COMPL D8 from serial 3030
206	800000194	SCREW TS PH M6X16
207	800000190	PIN CYLINDRIC D 3X20

Table 380300 012018 00380 300 0

Model TURBO 380 122017



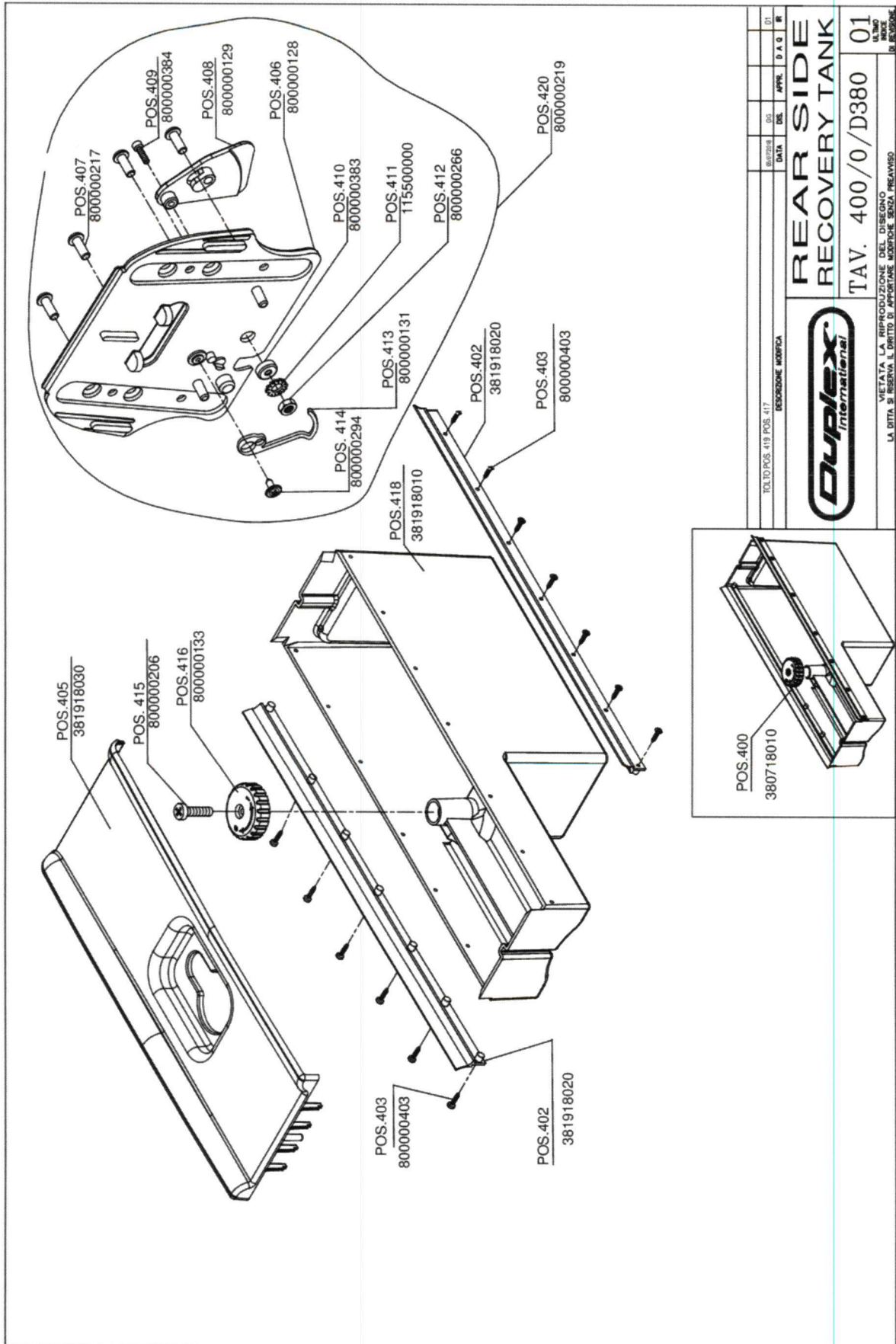
**Table 380300 012018 00380 300 0****Model TURBO 380 122017**

Pos.	Article Code	Description
300	380708010	OUTSIDE SUMP 380 COMPLETE
302	381908020	WHEEL CENTRAL OUTS. SUMP 380
303	800000067	SHAFT FOR CENTRAL WHEEL
304	800000126	WASHER 6X16X1 FOR CENTR WHEEL 6X15X1 ZN
305	800000208	NUT M6 FOR WHEEL
306	800000167	SEAL PERIMETER (OUTSIDE SUMP)



Table 380400 012018 00380 400 0

Model TURBO 380 122017



TITOLO POS. 419 POS. 417		DESCRIZIONE MODIFICA	
DATA	DES.	APPR.	D.A.O.
REVISIONI	ES.	RE	RE
REAR SIDE RECOVERY TANK			01
TAV. 400/0/D380			01
VIETATA LA RIPRODUZIONE DEL DISEGNO SENZA IL CONSENSO DELLA DITTA. LA DITTA SI RISERVA IL DIRITTO DI APPORTARE MODIFICHE SENZA PREAVVISO. IN BREVETTO.			



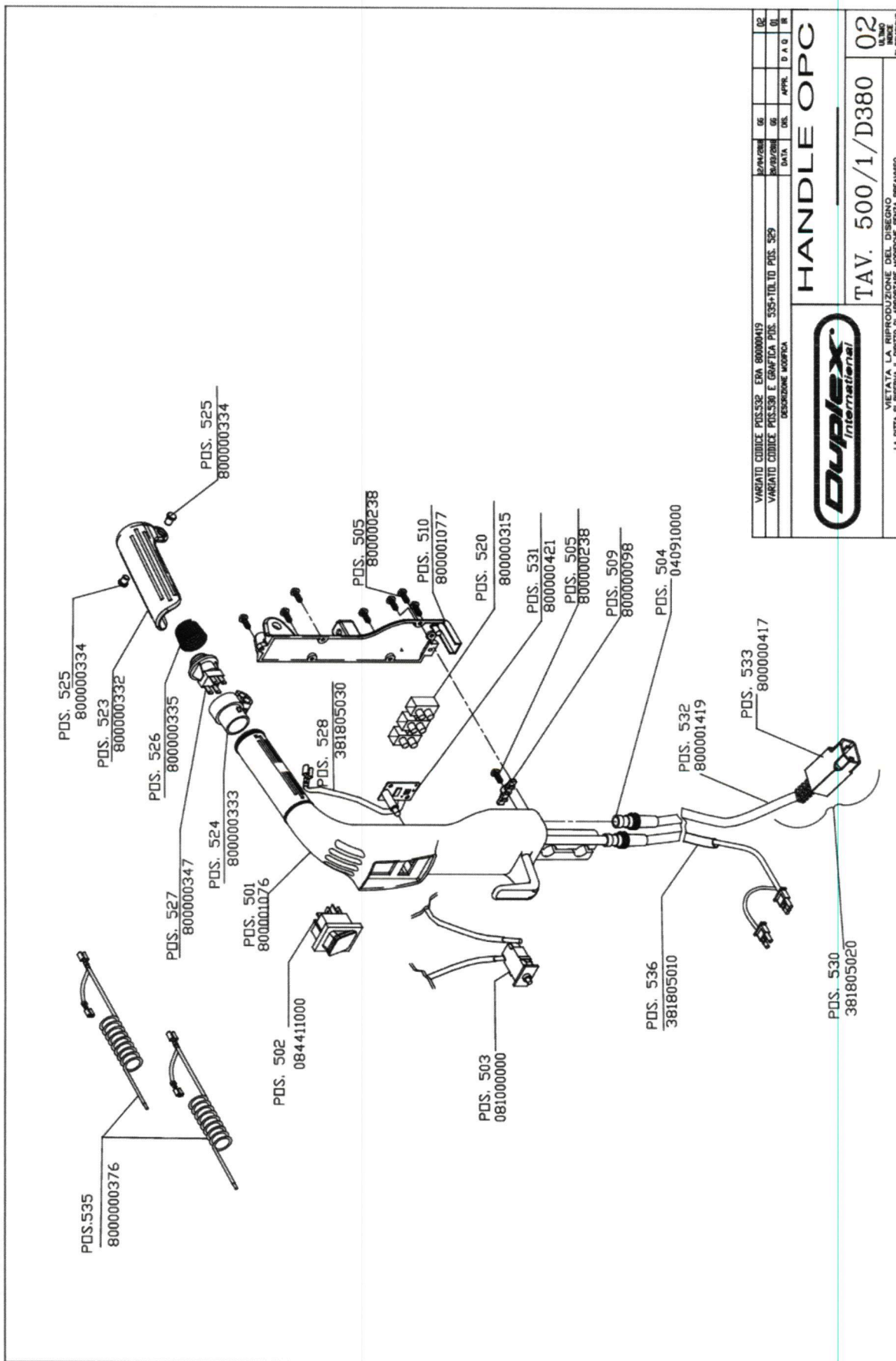
**Table 380400 012018 00380 400 0**

**Model TURBO 380 122017**

Pos.	Article Code	Description
400	380718010	RECOVERY TANK W/TRIMMERS
402	381918020	TRIMMER 380
403	800000403	SCREW TSP 2,9X6,5 A2 DIN7982F
405	381918030	REC.TANK COVER 380
406	800000128	REAR SIDE 280/380
407	800000217	SCREW TB M6X16 ZN
408	800000129	LIFTING JACK 280/380
409	800000384	SCREW TC PH M4X12 ZN BLK
410	800000383	WASHER 4,3X16X1,5 DIN9021 ZN
411	115500000	WASHER THTD D.4
412	800000266	NUT LOW M4
413	800000131	SPRING FOR LIFTING JACK
414	800000294	SCREW TBL RAN PZ M4X7
415	800000206	SCREW TC 4,9X13 A2 DIN7981 C
416	800000133	BLACK KNOB / REC.TANK
417	800000155	SPRING FOR REC. TANK
418	381918010	RECOVERY TANK 380
419	800000132	LIFTING ROD BLACK / REC.TANK
420	800000219	REAR SIDE ASSEMBLED 280/380

Table 380501 012018 00380 500 1

Model TURBO 380 122017



VARIANTE CODICE PDS.532 ERA 800000419		OR	OR
VARIANTE CODICE PDS.530 E GRAFICA PDS. 535+TITOLO PDS. 529		OR	OR
DESCRIZIONE MODIFICA		DATA	APPR. D.A.G. BR
		<b>HANDLE OPC</b> TAV. 500/1/D380 02	



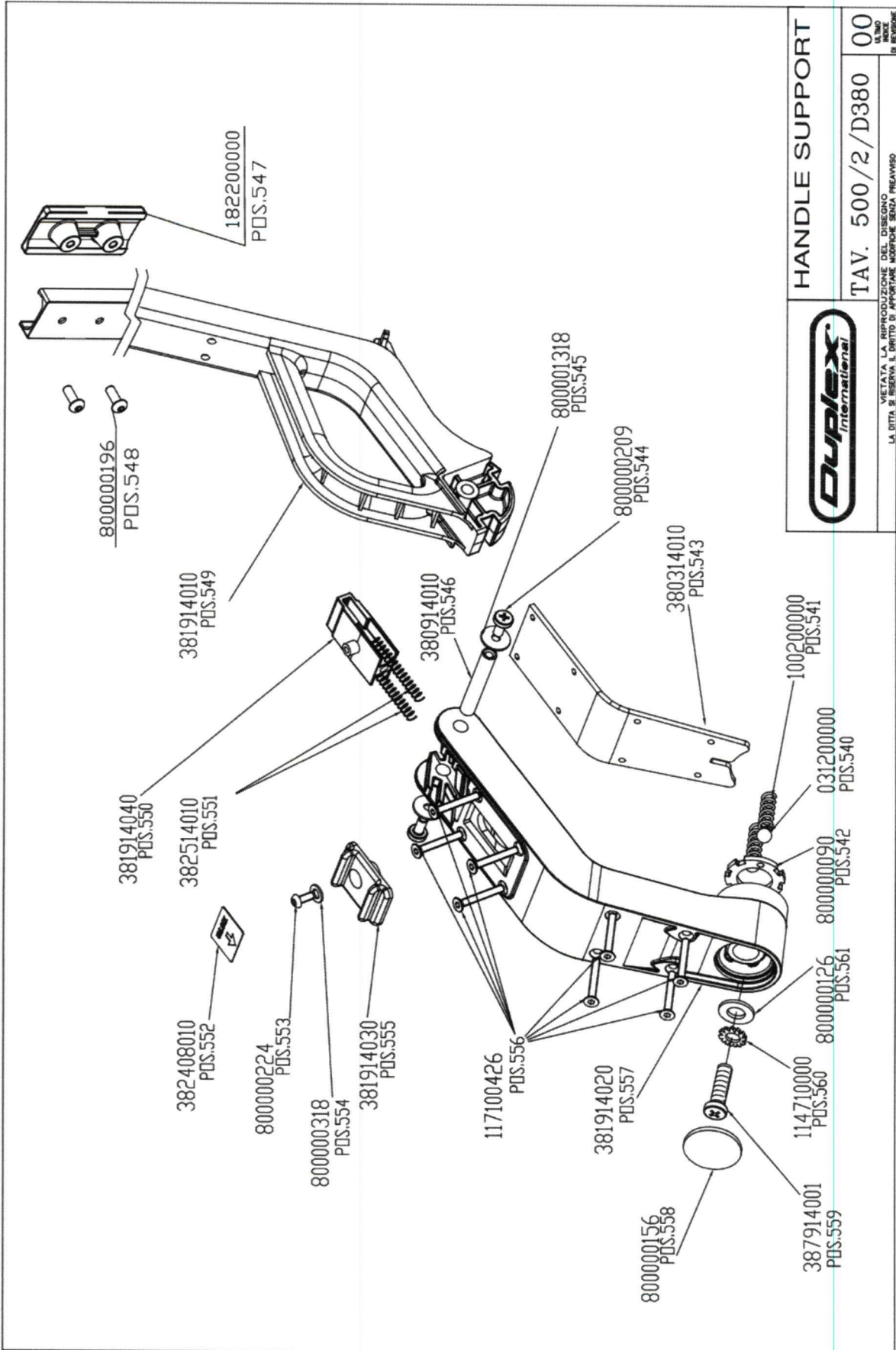
**Table 380501 012018 00380 500 1**

**Model TURBO 380 122017**

Pos.	Article Code	Description
501	800001076	BLACK HANDLE 280/380
502	084411000	MASK4 RED SWITCH
503	081000000	MOTOR PROTECTOR 1140 F111 P1M1 16A
504	040910000	FAIRLEAD BLACK 11078.1.2 PVC
505	800000238	SCREW TB CROSS 2,9X16
509	800000098	CABLE STOPPER FOR HANDLE
510	800001077	BLACK COVER FOR HANDLE
520	800000315	3 POLES TERMINAL BLOCK
523	800000332	OPERATING SAFETY LEVER
524	800000333	INSERT OPC
525	800000334	JOINT PIN OPC
526	800000335	VOLUTE SPRING OP.SAFT.HANDLE
527	800000347	PUSHBUTTON 2 POLES 16A
528	381805030	LIGHT CABLE 1 CONNECTION TO LEDBOARD 380
530	381805020	CABLE W/PLUG BATT 380
531	800000421	E BOARD LED 36V
532	800001419	CABLE CONNECT. BATTERY 380
533	800000417	3 POLES PLUG PX0686 FOR BATTERY
535	800000376	WIRING PUSHBUTTON SHORT
536	381805010	LIGHT CABLE 2 CONNECT. HANDLE MOTHERBOAR TO BRUSH MOTOR 380

Table 380502 012018 00380 500 2

Model TURBO 380 122017



	HANDLE SUPPORT	
	TAV. 500/2/D380	00
<small>VIETATA LA RIPRODUZIONE DEL DISEGNO ULTIMO SENZA IL CONSENSO DELLA DITTA. LA DITTA SI RISERVA IL DIRITTO DI APPORTARE MODIFICHE SENZA PREAVVISO.</small>		

**Table 380502 012018 00380 500 2**

**Model TURBO 380 122017**

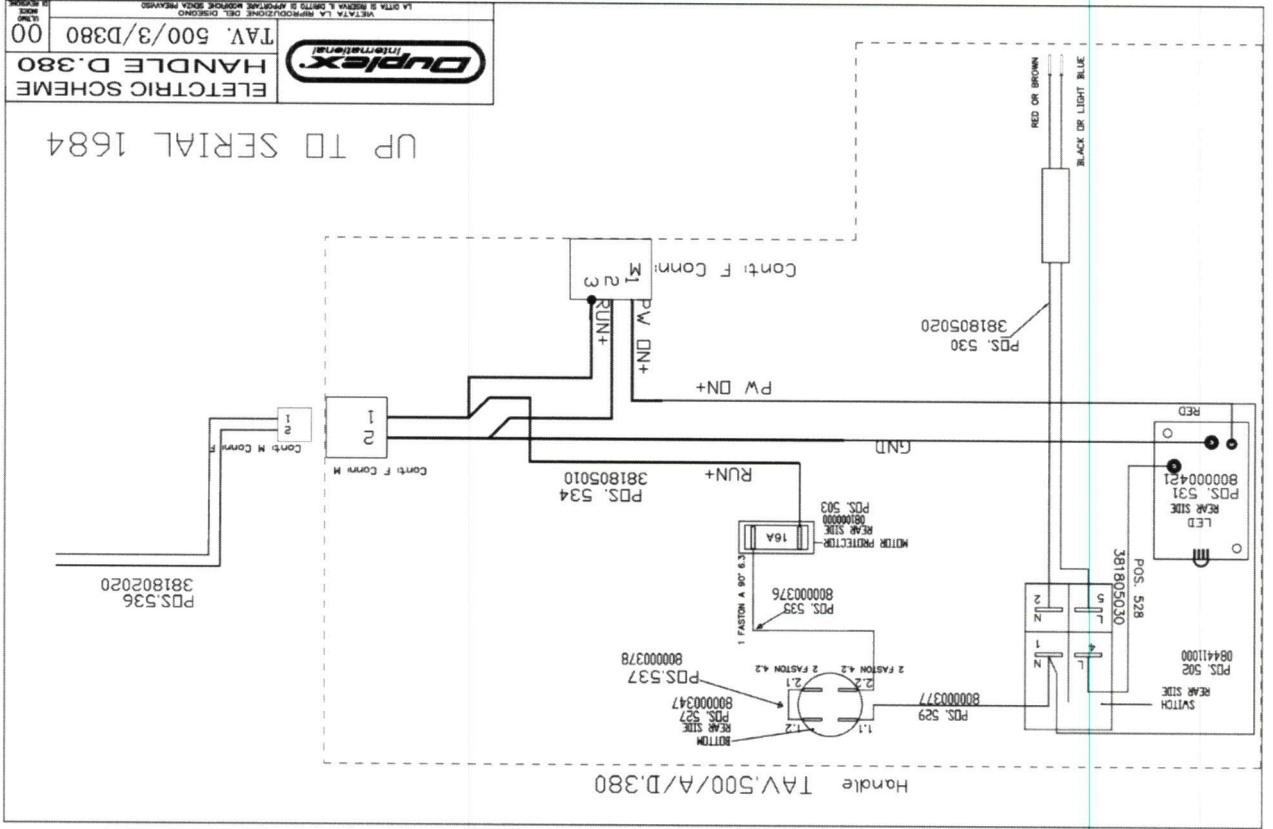
Pos.	Article Code	Description
540	031200000	SPRING LATCH BALL
541	100200000	SPRING LATCH SPRING
542	800000090	LATCH DISK 280
543	380314010	PLATE FOR HANDLE SUPPORT 380
544	800000209	SCREW TB CROSS M5X12
545	800001318	WASHER 5,3 X 15 X 1
546	380914010	PIN FOR HANDLE SUPPORT 380
547	182200000	CLAMPING PLATE
548	800000196	SCREW TC M5X16 ZN BLACK
549	381914010	HANDLE 380
550	381914040	LATCH FOR HANDLE 380
551	382514010	LATCH SPRING 380
552	382408010	"UNLOCK" LABEL 380
553	800000224	SCREW TCB 3,9X16
554	800000318	WASHER 5X10X1
555	381914030	KNOB HANDLE 380
556	117100426	SCREW TSP M4X25 DIN 965 ZN
557	381914020	HANDLE SUPPORT 380
558	800000156	SCREW COVER HANDLE SUPPORT
559	387914001	SCREW TE M6X16 ZN 10.8 DIN933
560	114700000	WASHER THTD D5
561	800000126	WASHER 6X16X1 FOR CENTR WHEEL 6X15X1 ZN



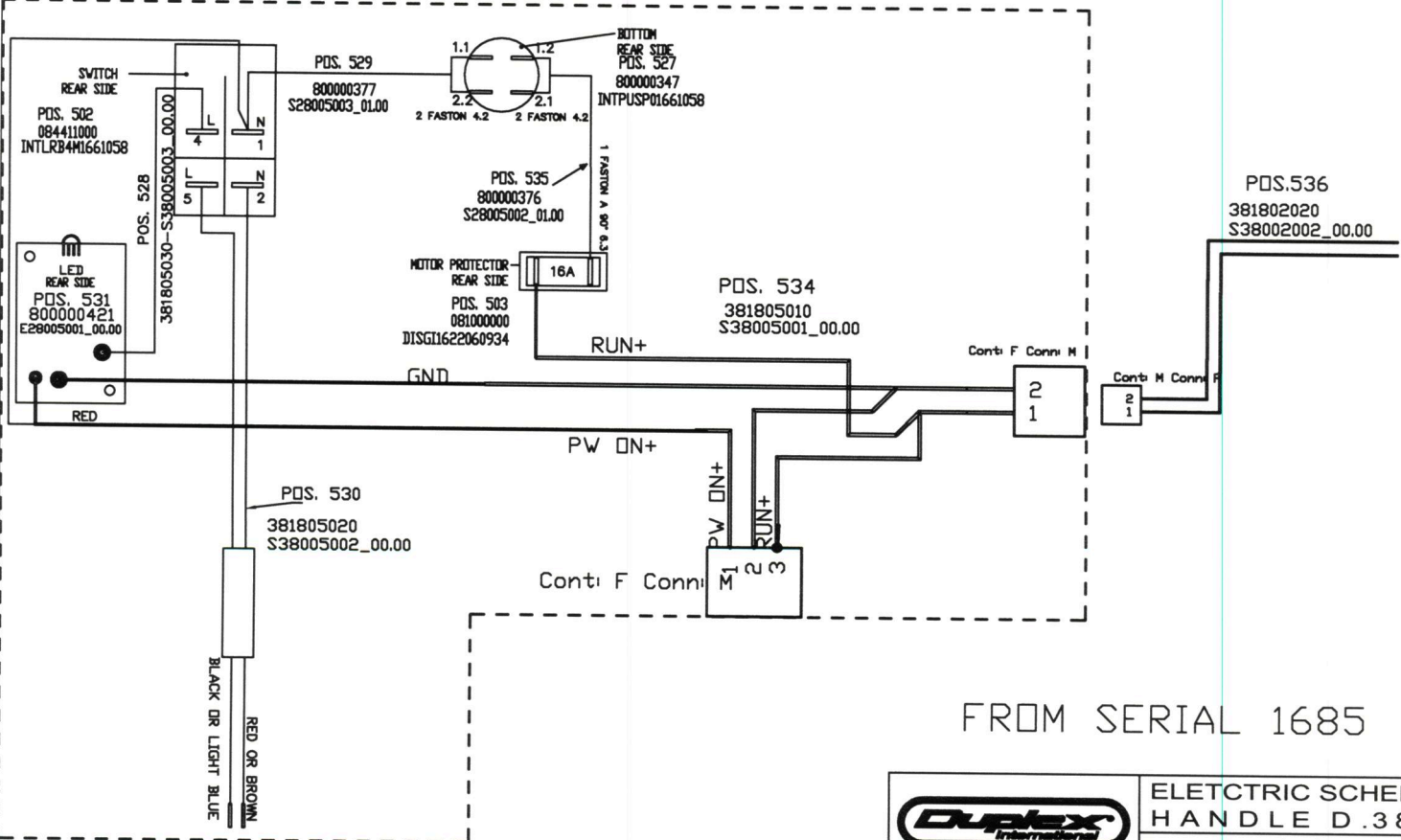


Model TURBO 380 122017

Table 380503 052018 00380 500 3



Handle TAV.500/A/D.380



POS.536  
381802020  
S38002002\_00.00

FROM SERIAL 1685



ELETCTRIC SCHEME  
HANDLE D.380

TAV. 500/3/D380

01

VIETATA LA RIPRODUZIONE DEL DISEGNO  
LA CITTA SI RISERVA IL DIRITTO DI APPORTARE MODIFICHE SENZA PREAVVISO

ULTRAVISIO  
DE BENEDETTI

**Table 380503 052018 00380 500 3**

**Model TURBO 380 122017**

Pos.	Article Code	Description
502	084411000	MASK4 RED SWITCH
503	081000000	MOTOR PROTECTOR 1140 F111 P1M1 16A
527	800000347	PUSHBUTTON 2 POLES 16A
528	381805030	LIGHT CABLE 1 CONNECTION TO LEDBOARD 380
529	800000377	WIRING PUSHBUTTON LONG
530	381805020	CABLE W/PLUG BATT 380
531	800000421	E BOARD LED 36V
534	381805010	LIGHT CABLE 2 CONNECT. HANDLE MOTHERBOAR TO BRUSH MOTOR 380
535	800000376	WIRING PUSHBUTTON SHORT
536	381802020	LIGHT CABLE 13AWG 2X1.5 CONNECT.HANDL- -BRUSH MOTOR