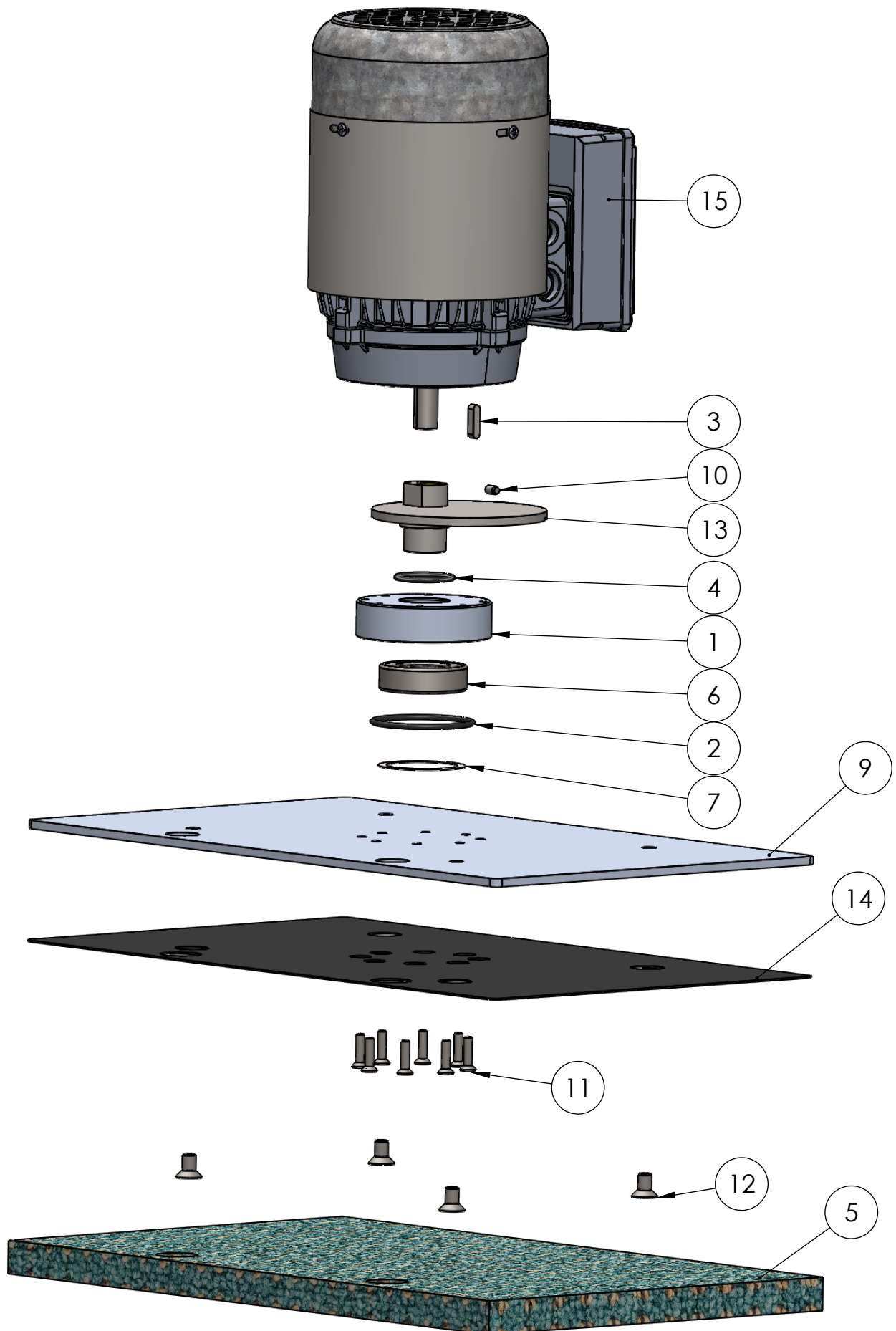


ITEM NO.	EXC. NO.	DESCRIPTION	Description ENG	QTY.
1	SUB	MOTOR+EXCENTRIEK+VOETPLAAT	MOTOR + ECCENTRIC + SCRUB PLATE	1
2	NUMATIC	STEEL NUMATIC	HANDLE NUMATIC	1
3	610005	WIEL Ø200X42 (RES)	WHEEL Ø200X42	2
4	610006	WIELDOP	HUB CUP GREY G48	2
5	650004	TRILRUBBER M8 D=40 L=40	VIBRATION DAMPER M8 40X40	4
6	608011	STERKNOP Ø40 M8	STAR KNOB Ø40 M8	2
7	X10518	T-STUK SLANGTULE Ø6	TEE FOR HOSE Ø6 MALE	1
8	800048	LEIDINGKLEM	TUBE CLAMP Ø7.9-12.7MM	5
9	X10432	90° BOCHT SLANGTULE Ø6	KNEE FOR HOSE Ø6 MALE	3
10	608002	HANDVAT ZWART	U-HANDLES BLACK	1
11	X	C14 WALL SOCKET	C14 WALL SOCKET	1
12	X10572	SINUSRING Ø17XØ8.5	DISC SPRING Ø17XØ8.5	2
13	800144	SLUITRING M6	WASHER M6	2
14	800067	SLUITRING M8 PA	WASHER M8 PA	4
15	800023	SLUITRING M8	WASHER M8	16
16	800049	MOER M8	NUT M8	4
17	800064	IMBUSSCHROEF VK M5X12	COUNTERSUNK HEAD SCREW M5X12	2
18	800111	CARROSSERIERING M5	FENDER WASHER M5	5
19	800070	IMBUSSCHROEF CK M8X20	SOCKET CAP SCREWM8X20	2
20	800041	BOUT ZK M8X12	HEX HEAD BOLT M8X12	8
21	800063	BORGMOER M5	LOCK NUT M5	5
22	800063	BORGMOER M6	LOCK NUT M6	2
23	800022	BORGMOER M8	LOCK NUT M8	8
24	800040	CARROSSERIERING M10	FENDER WASHER M10	2
25	800012	BORGMOER M10	LOCK NUT M10	2
26	801530	BOUT ZK M10X60	HEX BOLT M10X60	2
27	800190	BOUT MET FLENS ZK M06X12	HEX FLANGE BOLT M6X12	8
28	X10811	BOUT MET FLENS ZK M08X50	HEX FLANGE BOLT M8X50	4
29	801531	PASSCHROEF IMBUS M6X12-Ø8	SHOULDER SCREW M6X12-Ø8	2
30	800133	IMBUSSCHROEF BK M5X12	BUTTON HEAD SCREW M5X12	3
31	540044	40/29-45 BF 43sh M8X15/M8i	WAISTED BOBBIN	4
32	X10785	BUMPER 4025	WALL PROTECTION BUMPER 40-25	1
33	800086	TAPEIND Ø12 M8 L=70	DOUBLE THREADED ROD M8 L=67	2
34	X10740	WIELAS Ø17	WHEEL AXLE Ø17	2
35	X10742	TUSSEBUS FRAME NUMATIC	SPACER FOR THE FRAME PLATES	1
36	X10623	HOEKPROFIEL MOTORPLAAT	BRACKET FOR MOTOR PLATE	2
37	X10617	MOTORPLAAT 40-25 (36-230V)	MOTOR MOUNTING PLATE	1
38	X10622	ACHERTERPLAAT FRAME	BACK PLATE FRAME	1
39	X10658	ZIJPLAAT BRUG R NUMATIC	SIDE PLATE FRAME (R)	1
40	X10659	ZIJPLAAT BRUG L NUMATIC	SIDE PLATE FRAME (L)	1
41	X10715	MASSABLOK 10 KG 4025	MASS BLOCK 10KG	2
42	210028	SLANG Ø8X1 (1)	HOSE FOR WATER DRIP (1)	2
43	210028	SLANG Ø8X1 (2)	HOSE FOR WATER DRIP (2)	1
44	X	HAAKSE PLUG C13	ANGLE PLUG C13	1
45	205720	PAD VOOR 4025 ROOD	RED PAD 40-25	1
46	X11148	BORGBEUGEL HAAKSESTEKKER	LOCKING PLATE FOR PLUG C13	1
47	210029	SLANGTULE Ø10 MM 1/8" BUI	HOSE PILLAR Ø10MM G1/8" MALE	1
48	X10793	KNIE G1/8" BIN-BIN	KNEE G1/8" 2X FEMALE	1
49	800042	SLANGTULE Ø6 MM 1/8" BUI	HOSE PILLAR Ø6MM - G1/8" FEMALE	1
50	210028	SLANG Ø8X1 (3)	HOSE FOR WATER DRIP (3)	1

MOTOR + EXCENTRIEK + VOETPLAAT



0768 EV - MOTOR + EXCENTRIEK + VOETPLAAT 230VAC R1.1

ITEM NO.	EXC. NO.	DESCRIPTION	Description ENG	QTY.
1	707018	LAGERHUIS KLEINE MACHINES	BEARING HOUSE SMALL	1
2	800054	O-RING NBR ZW 36624 56X3	O-RING Ø56X3	1
3	540011	VLAKKE INLEGSPIE 30X6X6	AXLE KEY 30X6X6	1
4	800056	O-RING NBR ZW 36624 30X3	O-RING Ø30X3	1
5	205720	PAD VOOR 4025 ROOD	RED PAD 40-25	1
6	801514	KOGELLAGER	GROOVE BALL BEARING	1
7	801515	GOLFRING 52X42X0.5	WAVE SPRING WASHER Ø52	1
8	705038	RING Ø24X14X3	WASHER Ø25X14X3	1
9	X10618	VOETPLAAT 42-25	FOOD PLATE 40-25	1
10	800104	STELSCHROEF M6X8	SOCKET SET SCREW M6X8	1
11	800183	IMBUSSCHROEF VK M5X20	COUNTERSUNK HEAD SCREW M5X20	8
12	800053	IMBUSSCHROEF VK M8X14	COUNTERSUNK HEAD SCREW M8X14	4
13	902012	EXCENTRIEK 4025 GELAST	ECCENTRIC 40-25 WELDED	1
14	X10618	PADHOUDER 4225	PAD FIXATION TAPE	1
15	540041	MOTOR 0.55KW 230VAC	MOTOR 0.55KW 230VAC	1