

Table 100280 012018 280

Model 280 i DC

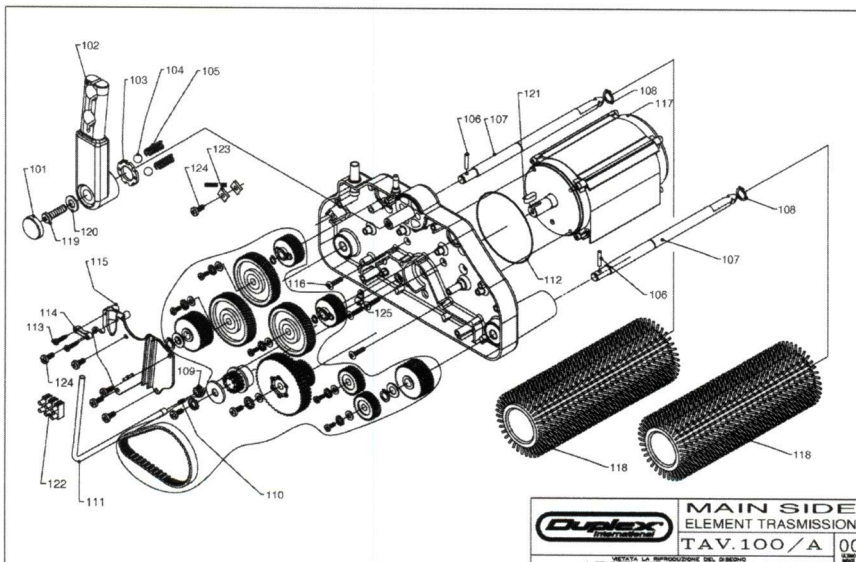
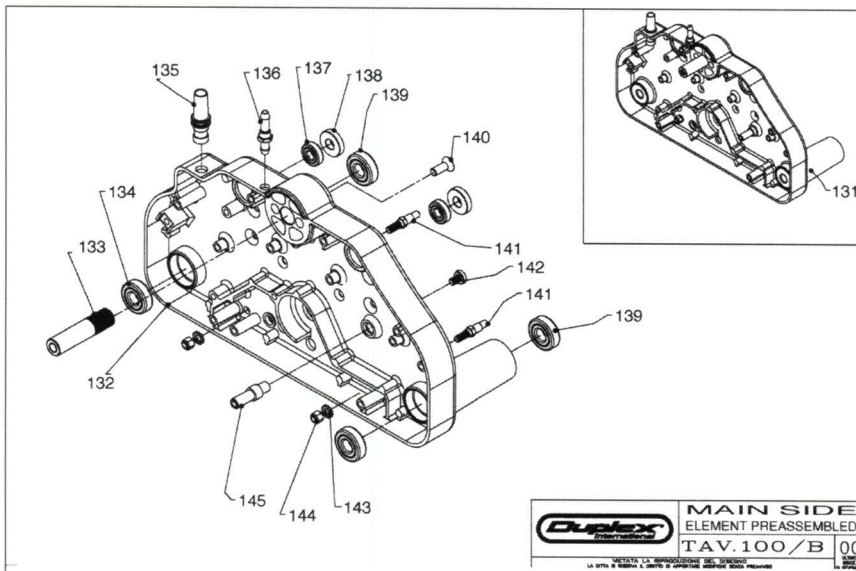
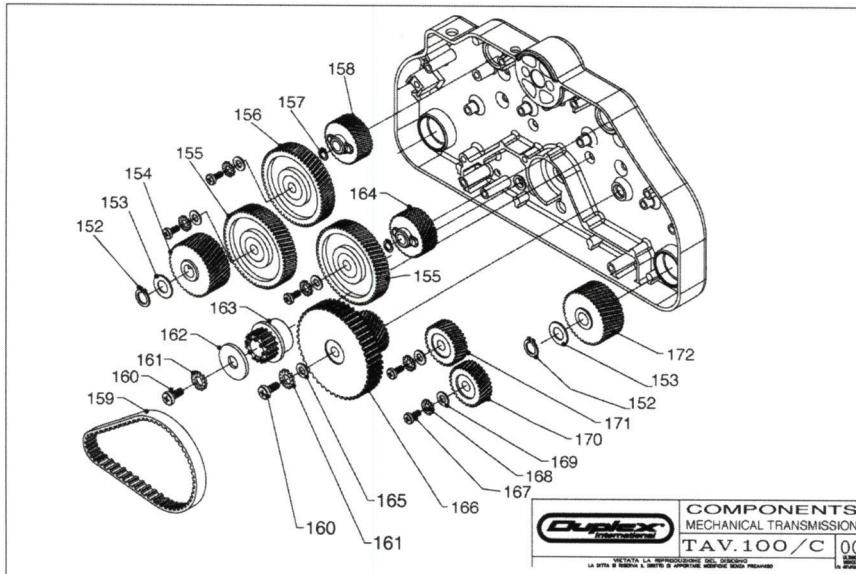


Table 100280 012018 280

Model 280 i DC

Pos.	Article Code	Description
100	510000090	KIT OF GEARS 280
101	800001156	SCREW COVER 280
102	800001053	HANDLE SUPPORT 280
103	800000090	LATCH DISK 280
104	031200000	SPRING LATCH BALL
105	100200000	SPRING LATCH SPRING
106	800000193	CYLINDRIC PIN 4X20
107	800000062	BRUSHES SHAFT
108	800000214	SEEGER D 12 (BRUSHES SHAFT)
109	800000165	FAIRLEAD
110	800000254	SCREW STCE M5X8 INOX
111	800000307	WATER DISTRIBUTION PIPE WITH SCREW
112	800000158	GASKET FOR MOTOR
113	800000224	SCREW TCB 3,9X16
114	800000081	CABLE STAY
115	800000080	INSIDE SUMP 280/380
116	800000252	SCREW TSP CROSS M5X16
117	800000288	MOTOR D 280I DC
118	800000340	GREY BRUSH 280
118	800000336	BROWN BRUSH 280
118	800000338	YELLOW BRUSH 280
118	800000400	BLACK BRUSH 280
119	800000217	SCREW TB M6X16 ZN
120	800000157	WASHER HANDLE SUPPORT
121	800000212	MOTOR KEY 5X5X12 UNI6607 A
122	800000315	3 POLES TERMINAL BLOCK
123	113901000	TERMINAL CONTACT
124	110600000	SCREW T.T. 5X12
125	800000304	FASTENER RING FOR CABLE
131	800000295	MAINSIDE ELEMENT 280 ASSEMBLED
132	800000352	MAIN SAID ELEMENT 280

Table 100280 012018 280

Model 280 i DC

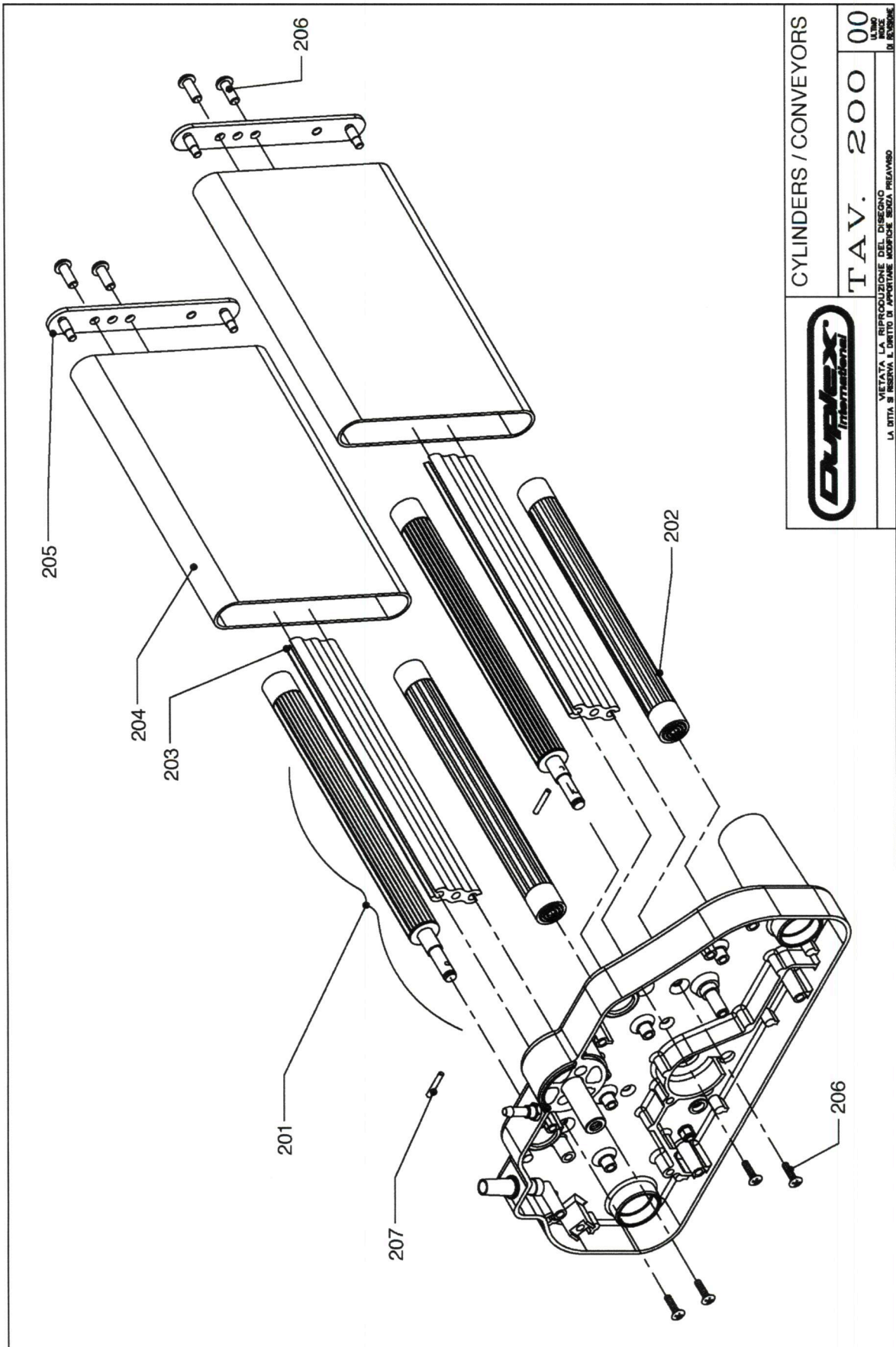
Pos.	Article Code	Description
133	800000054	PIN HANDLE SUPPORT
134	800000172	BEARING 6000 ZZ 26X10X8
135	040910000	FAIRLEAD BLACK 11078.1.2 PVC
136	800000179	WATER CONNECTION
137	800000171	BEARING 608 ZZ 22X8X7
138	800000161	GASKET 10X22X7 MOTOR CYLINDER
139	800000175	BEARING 6001 2RS FOR BRUSH SHAFT
140	800000194	SCREW TS PH M6X16
141	800001010	CYLINDER SHAFT
141	800000010	CYLINDER SHAFT
142	800000209	SCREW TB CROSS M5X12
143	114700000	WASHER THTD D5
144	800000241	NUT M5
145	800000013	SHAFT FOR PULLEY
152	800000191	SEEGER D.10 (SHAFT)
153	800000032	WASHER 10X16X0,5
154	800000025	GEAR RIGHT (BRUSH)
155	800000024	GEAR Z60 G. LEFT
156	800000022	GEAR Z60 G. RIGHT
157	800000192	SEEGER D 8
158	800000026	GEAR LEFT (CYLINDER)
159	800000034	BELT HTD 305 5M 9 O.HP
160	800000209	SCREW TB CROSS M5X12
161	114700000	WASHER THTD D5
162	800000033	WASHER
163	800000019	PULLEY HTD Z16 5M
164	800000027	GEAR RIGHT (CYLINDER) Z32
165	800000318	WASHER 5X10X1
166	800000285	PULLEY Z48 WITH GEAR Z 30
167	112300000	TC SCREW 4X10 ZINC
168	115500000	WASHER THTD D.4

Table 100280 012018 280**Model 280 i DC**

Pos.	Article Code	Description
169	800000281	WASHER D 4X12
170	800000030	GEAR RIGHT Z30
171	800000031	GEAR LEFT Z30
172	800000020	GEAR LEFT (BRUSH)

Table 200280 012018 280

Model 280 i DC



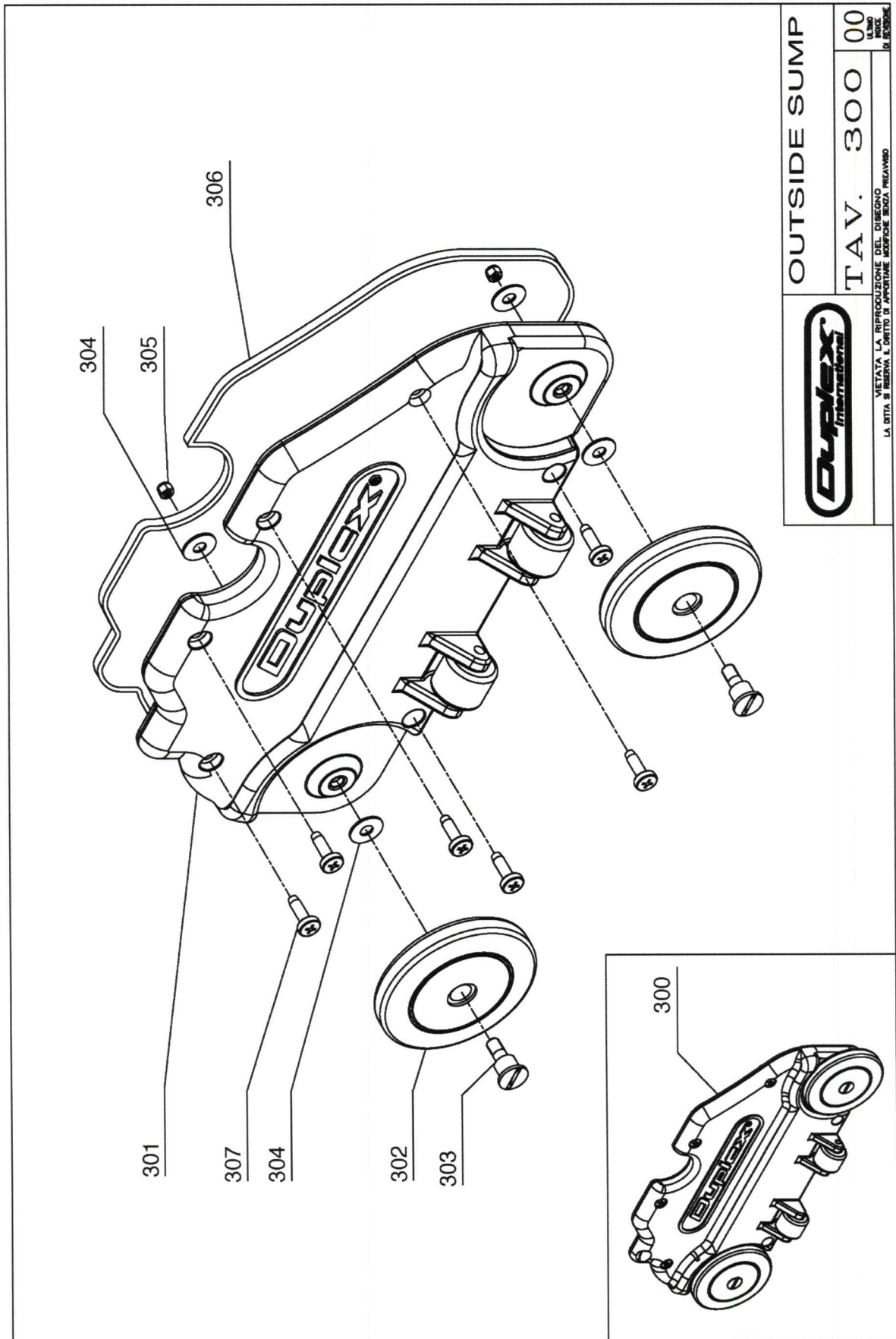
	CYLINDERS / CONVEYORS	
	T.A.V. 200	00
<small>VIETATA LA RIPRODUZIONE DEL DISEGNO SENZA IL CONSENSO DELLA DUPLEX INTERNATIONAL LA DITTA SI RISERVA IL DIRITTO DI APPORTARE MODIFICHE SENZA PREAVVISO DI PRESSIONE</small>		

Table 200280 012018 280**Model 280 i DC**

Pos.	Article Code	Description
201	800001210	MOTOR CYLINDER ASSEMBLED 8X16X7
201	800000210	MOTOR CYLINDER ASSEMBLED 6X16X7
202	800001211	IDLE CYLINDER ASSEMBLED
202	800000211	IDLE CYLINDER ASSEMBLED
203	800000149	SPACER
204	800000017	CONVEYOR BELT 280
205	800001037	CYLINDER SUPPORT COMPL D8
205	800000037	CYLINDER SUPPORT COMPL D6
206	800000194	SCREW TS PH M6X16
207	800000190	PIN CYLINDRIC D 3X20

Table 300280 012018 280

Model 280 i DC



OUTSIDE SUMP	
TAV. 300	00
VIETATA LA RIPRODUZIONE DEL DISEGNO SENZA IL CONSENSO DELLA DITTA LA DITTA SI RISERVA IL DIRITTO DI ADOPTARE MODIFICHE SENZA PREAVVISO	

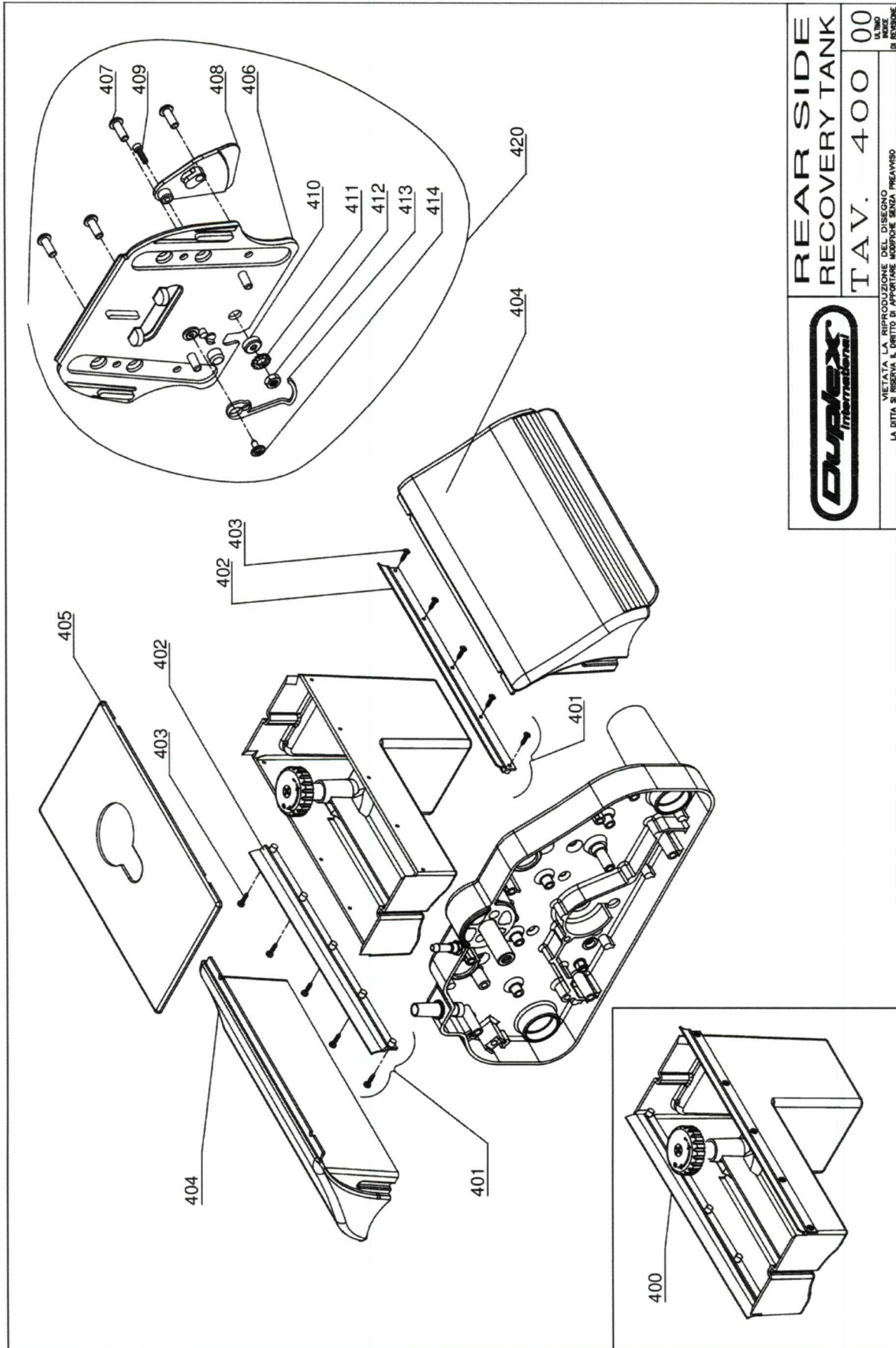


Table 300280 012018 280**Model 280 i DC**

Pos.	Article Code	Description
300	800000207	OUTSIDE SUMP COMPLETE
301	800001275	OUTSIDE SUMP 280 W/SMALL WHEEL
302	800001099	WHEEL TRANSLATION D.280
303	800000067	SHAFT FOR CENTRAL WHEEL
304	800000126	WASHER 6X16X1 FOR CENTR WHEEL 6X15X1 ZN
305	800000208	NUT M6 FOR WHEEL
306	800000167	SEAL PERIMETER (OUTSIDE SUMP)
307	800000209	SCREW TB CROSS M5X12

Table 400280 012018 280

Model 280 i DC



	REAR SIDE RECOVERY TANK
	TAV. 400 00
LA DITTA SI RISERVA IL DIRITTO DI APPORTARE MODIFICHE SENZA PREAVVISO	

Table 400280 012018 280

Model 280 i DC

Pos.	Article Code	Description
400	800000272	RECOVERY TANK 280
401	800001273	TRIMMER 280 + 5 SCREWS
402	800000055	TRIMMER 280
403	110800000	SCREW 2,9X6,5 TSP FOR TRIMMER
404	800000051	BRUSH COVER 280 ABS
405	800000058	RECOVERY TANK COVER 280
406	800000128	REAR SIDE 280/380
407	800000217	SCREW TB M6X16 ZN
408	510000055	LIFTING JACK COMPLETE
409	800000265	SCREW TB CROSS M4X14 CROSS
410	800000383	WASHER 4,3X16X1,5 DIN9021 ZN
411	115500000	WASHER THTD D.4
412	800000266	NUT LOW M4
413	800000131	SPRING FOR LIFTING JACK
414	800000294	SCREW TBL RAN PZ M4X7
420	800000219	REAR SIDE ASSEMBLED 280/380

Table 600280 012018 280

Model 280 i DC

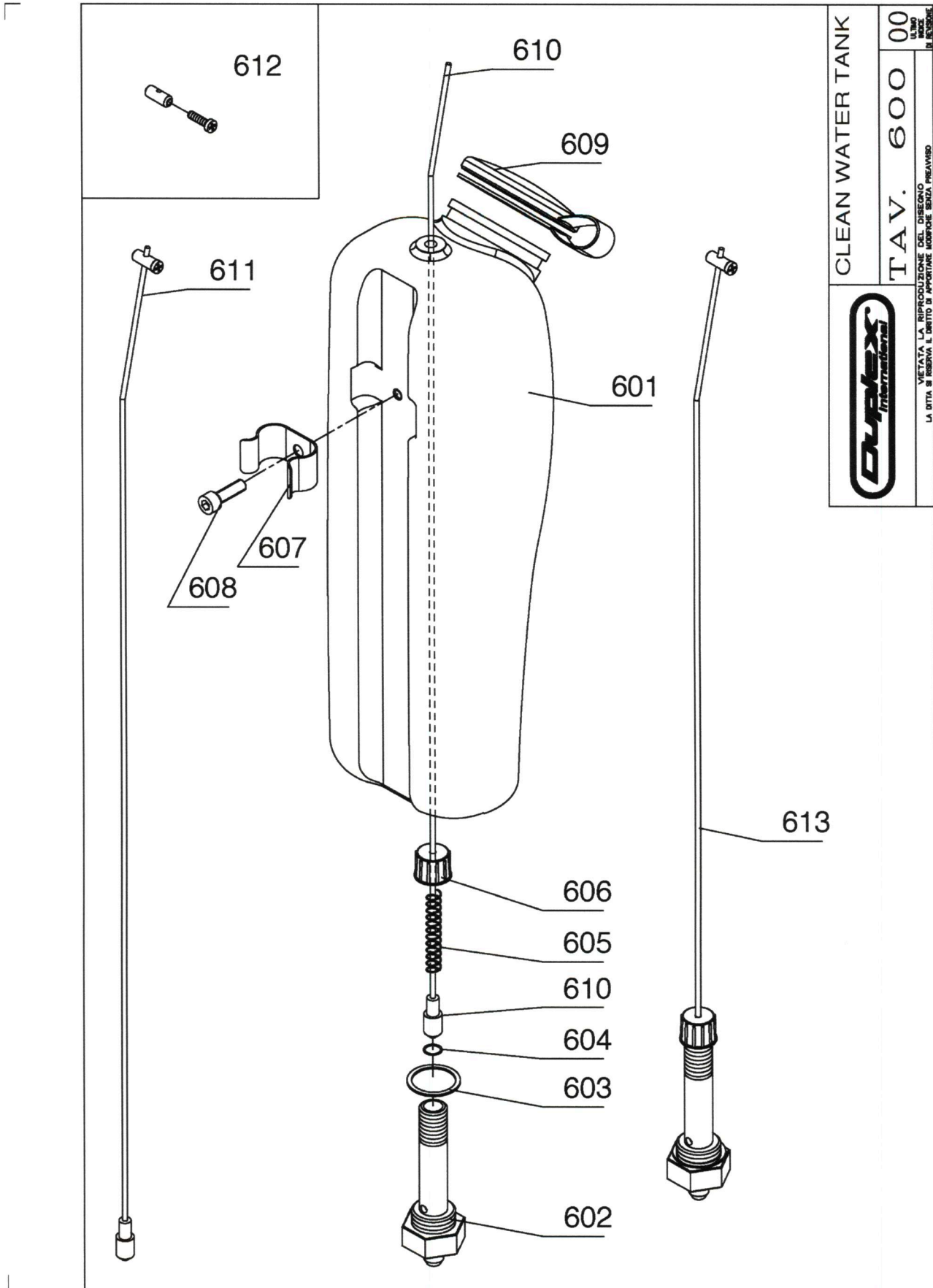
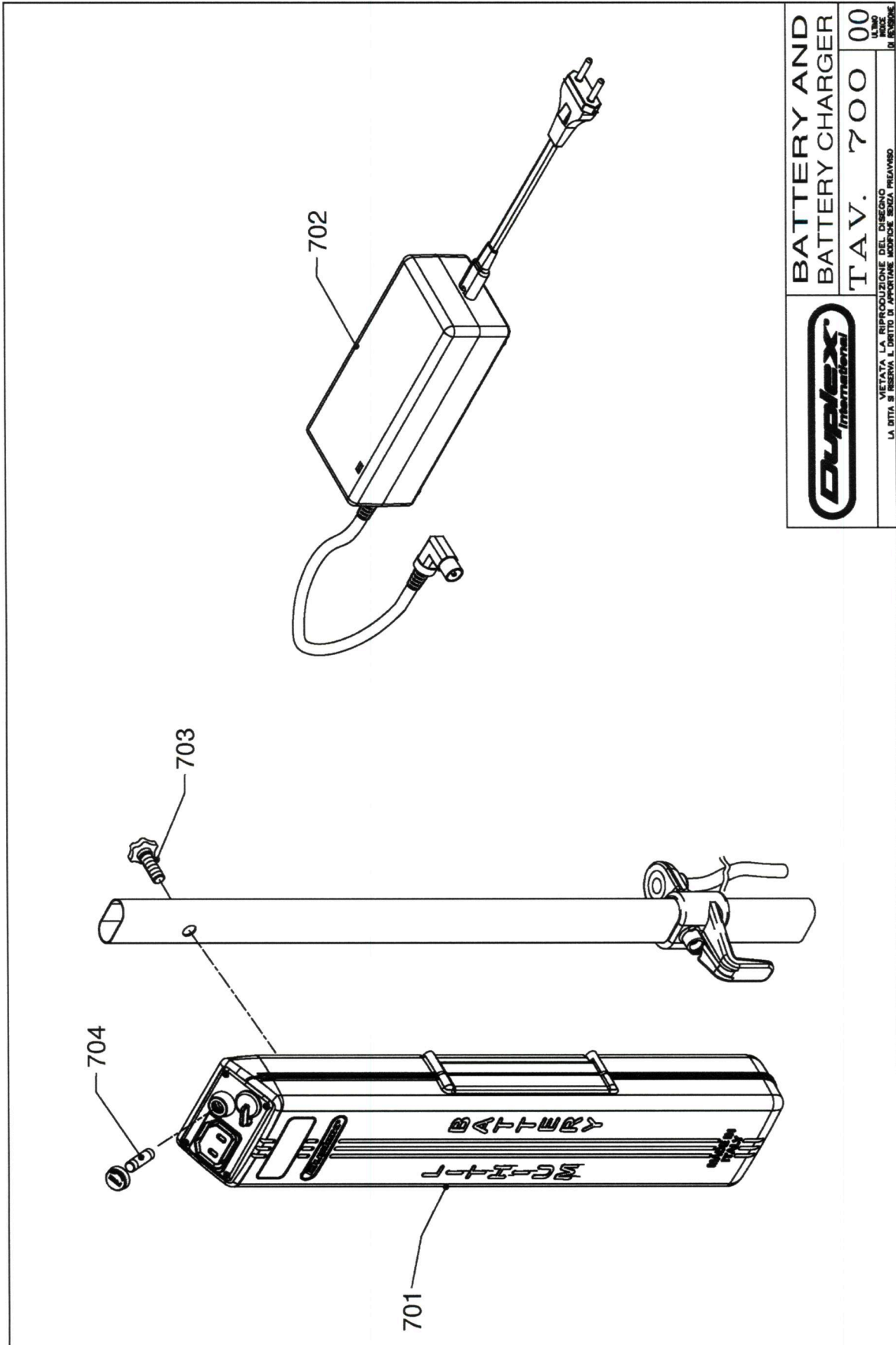


Table 600280 012018 280**Model 280 i DC**

Pos.	Article Code	Description
600	800000236	CLEAN WATER TANK COMPLETE 280
601	800000059	CLEAN WATER TANK 280
602	800001079	VALVE CONNECTION (BLACK)
603	800000186	GASKET (VALVE CONNECTOR)
604	800000108	GASKET FOR VALVE
605	800000130	SPRING FOR VALVE
606	800000107	COVER FOR VALVE
607	800000092	SPRING HOLDER FOR TANK 280
608	800000229	SCREW TCE M6X10
609	456011666	BLACK CAP WATER TANK 280
610	800000278	VALVE WITH CABLE
611	800000084	TERMINAL, INOX CABLE ASSEMBLY
612	800000276	TERMINAL WITH SCREW
613	800001084	ASSEMBLY VALVE SOLUT.TANK 280

Table 700280 012018 280

Model 280 i DC



BATTERY AND
BATTERY CHARGER
TAV. 700 00

VIETATA LA RIPRODUZIONE DEL DISEGNO
ALTRIMENTI LA DITTA SI RISERVA IL DIRITTO DI APPORTARE MODIFICHE SENZA PREAVVISO
IL SERVIZIO



Table 700280 012018 280

Model 280 i DC

Pos.	Article Code	Description
700	800000364	ASSEMBLED BATTERY 36V
702	800000401	BATTERY CHARGER
703	800000395	FIXING KNOB
704	800000356	FUSE 5X20 16A

Table 5002804 012018 280

Model 280 i DC

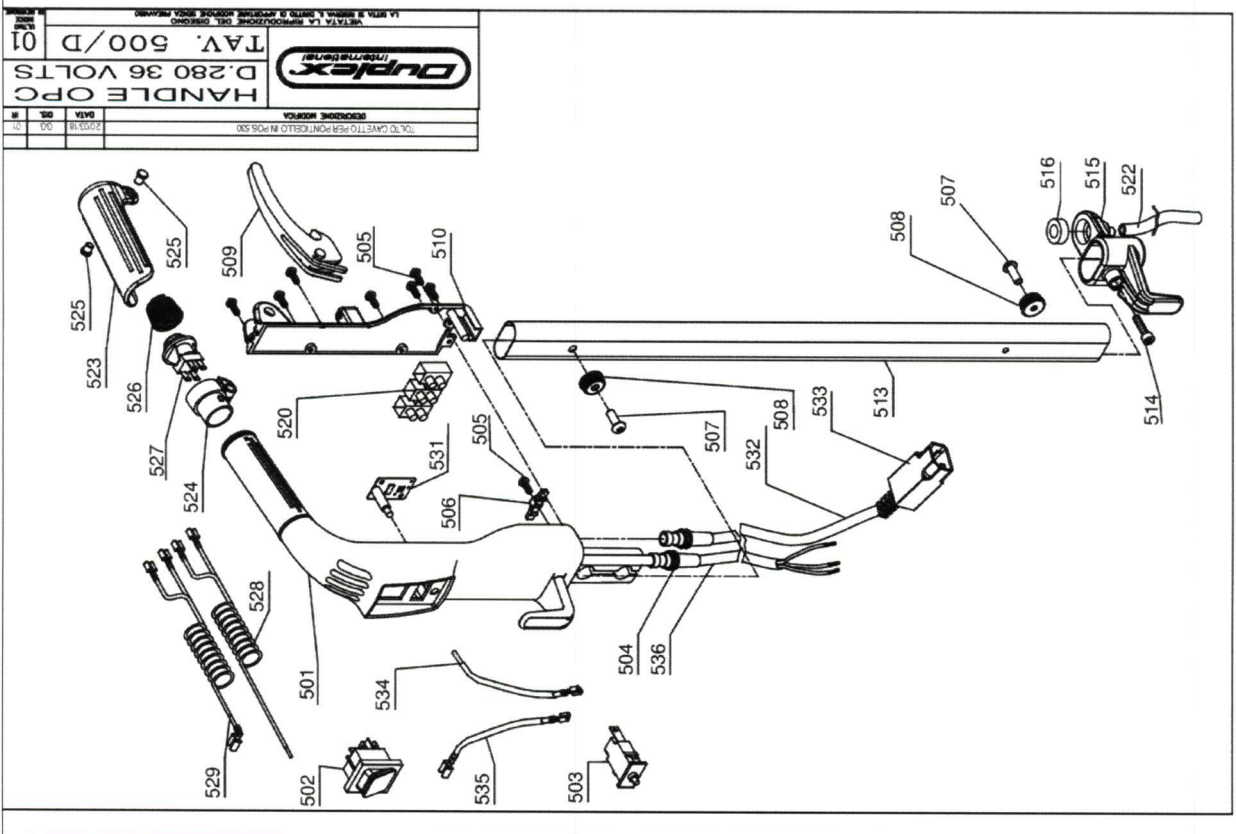
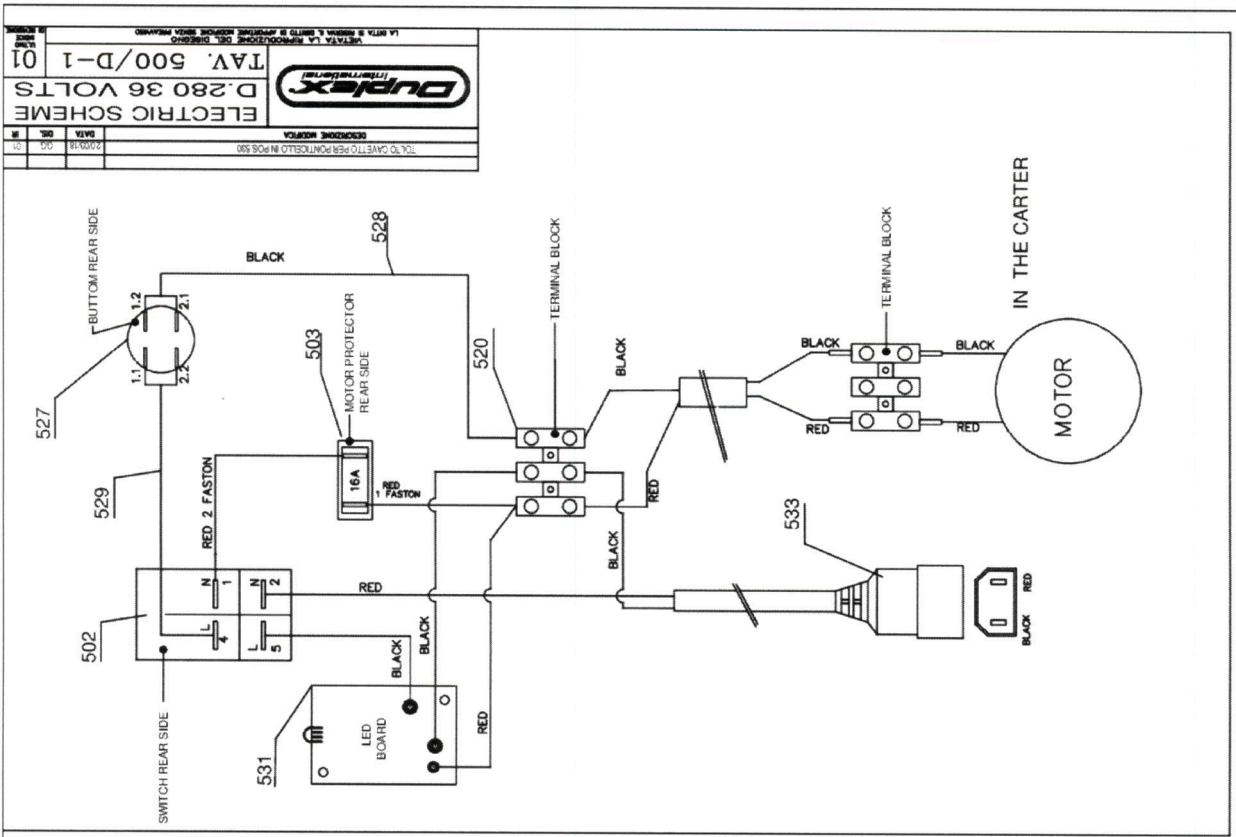


Table 5002804 012018 280

Model 280 i DC

Pos.	Article Code	Description
501	800000500	BLACK HANDLE 280I DC
502	084411000	MASK4 RED SWITCH
503	800001442	MOTOR PROTECTOR 16A W/WIRING D 280 DC
504	040910000	FAIRLEAD BLACK 11078.1.2 PVC
505	800000238	SCREW TB CROSS 2,9X16
506	800001098	CABLE STAY
507	800000217	SCREW TB M6X16 ZN
508	800000065	TAPERED INSERT FOR HANDLE 280
509	800001078	FLUID RELEASE TRIGGER 280
510	800001077	BLACK COVER FOR HANDLE
513	800000166	METAL OVALTUBE (HANDLE 280)
514	800000328	SCREW TCCE 6,3X19
515	800001075	WATER TANK SUPPORT
516	800000164	GASKET FOR WATER TANK SUPPORT
520	800000315	3 POLES TERMINAL BLOCK
522	800000282	TUBE FOR CLEANING SOLUTION 280
523	800000332	OPERATING SAFETY LEVER
524	800000333	INSERT OPC
525	800000334	JOINT PIN OPC
526	800000335	VOLUTE SPRING OP.SAFT.HANDLE
527	800000347	PUSHBUTTON 2 POLES 16A
528	800000377	WIRING PUSHBUTTON LONG
529	800000376	WIRING PUSHBUTTON SHORT
530	800000297	WIRING BRIDGE HANDLE 280 DC
531	800000389	LED WITH ELECTR.RESISTANCE 36V 280 DC
532	800000419	CABLE CONNECT. BATTERY
533	800000417	3 POLES PLUG PX0686 FOR BATTERY
534	800000441	WIRE 36 V (MOTOR PROTECT TO TERMINAL)
535	800000436	LIGHT CABLE 36 V (MOTOR PROTECT. TO SWITCH)
536	800000420	CABLE MOTOR 280 36V