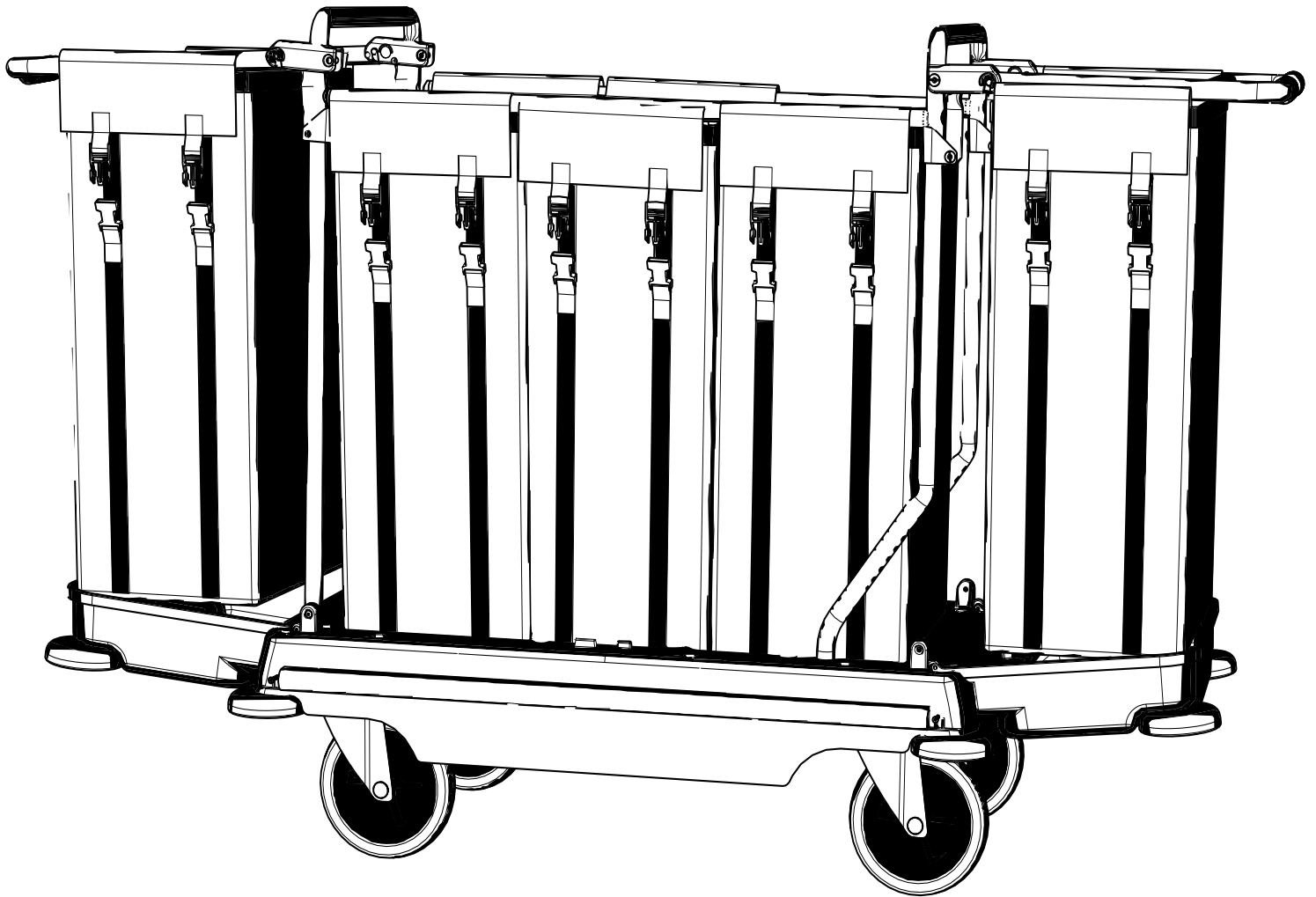


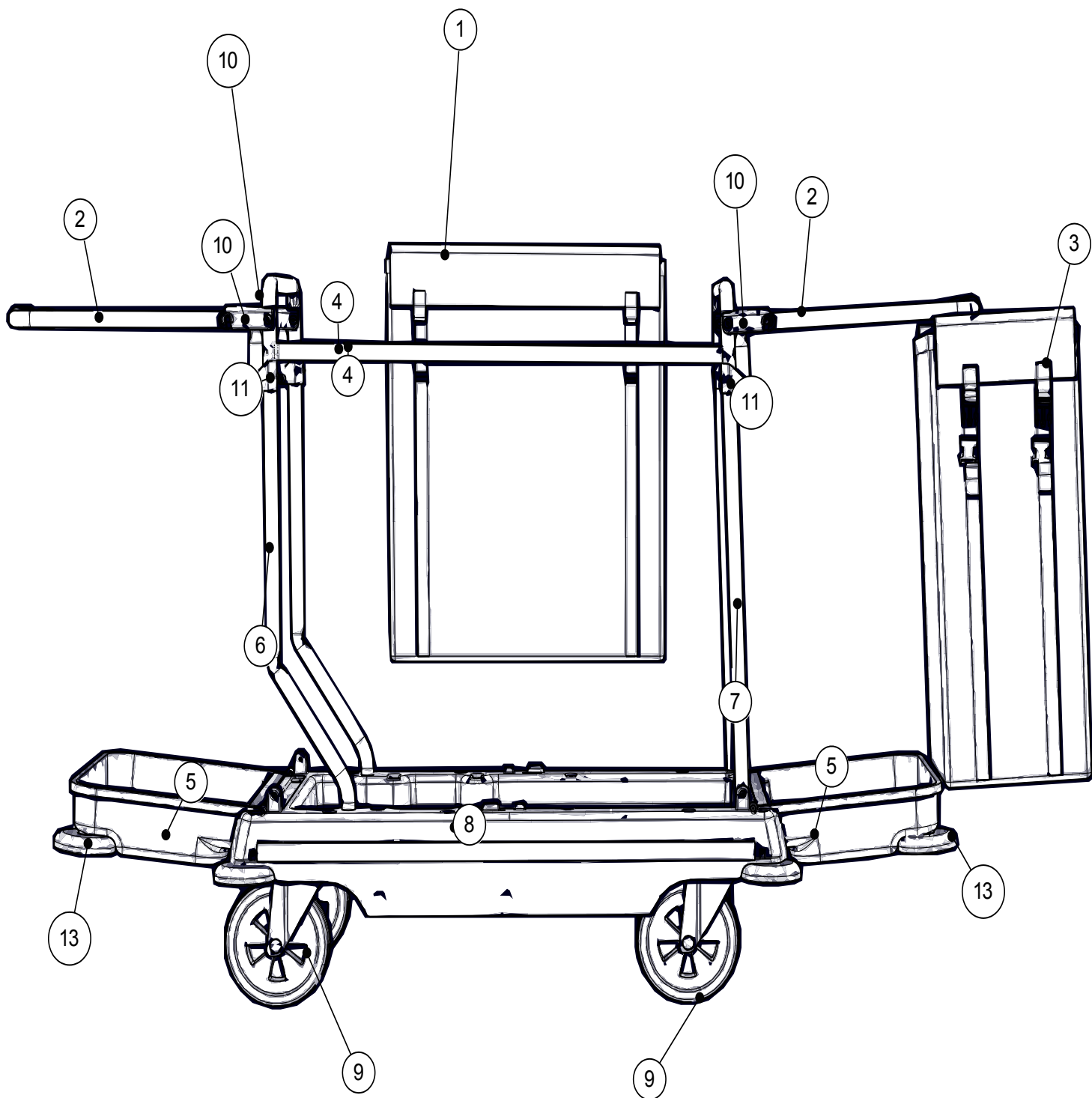
NB-TROLLEY

NB-3002/3

NB-4003/4

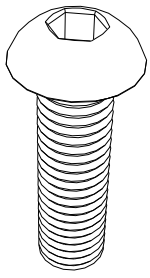
NB-5004/5





ITEM	DESCRIPTION	PART	QTY
1	200-LITRE LAUNDRY BAG	618003	—
2	BAG FRAME (PAINT SILVER)	418759	—
3	100 LITRE LAUNDRY BAG GREY	618001	—
3	100 LITRE LAUNDRY BAG RED	618065	—
3	100 LITRE LAUNDRY BAG GREEN	618068	—
3	100 LITRE LAUNDRY BAG BLUE	618066	—
4	UPPER TIE BAR PAINTED SILVER	418874	2
5	BAG SUPPORT TRAY	223393	—
6	LEFT HAND UPRIGHT FRAME	418916	1
7	RIGHT HAND UPRIGHT FRAME	418915	1
8	TROLLEY BASE	338879	1
9	200MM CASTOR	204093	4
10	LEFT HAND REVERSE PIVOT MOULDING	227966	—
10	RIGHT HAND REVERSE PIVOT MOULDING	227969	—
11	LID FRAME MOUNTING BRACKET (SILVER)	418760	—
12	HOLE PLUG SET (NOT SHOWN)	206997	2

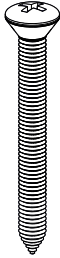
CONSTRUCTION PARTS (ALL MODELS)



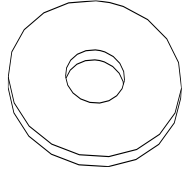
219555
M8 X 25MM
SOCKET
BOLT
X (2)



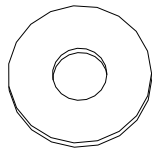
219554
5MM ALLEN KEY
X(1)



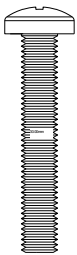
219839
No8 X 1 1/2 INCH
COUNTERSUNK
X(8)



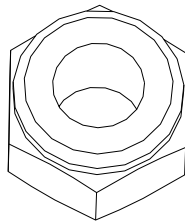
221154
M8 FORM C WASHER
X (2)



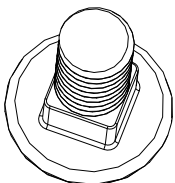
219008
M6 FORM G
WASHER X (4)



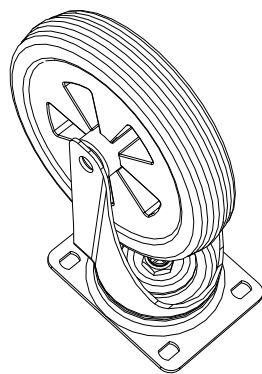
299020
M5 X 30 POZI
SCREW X(2)



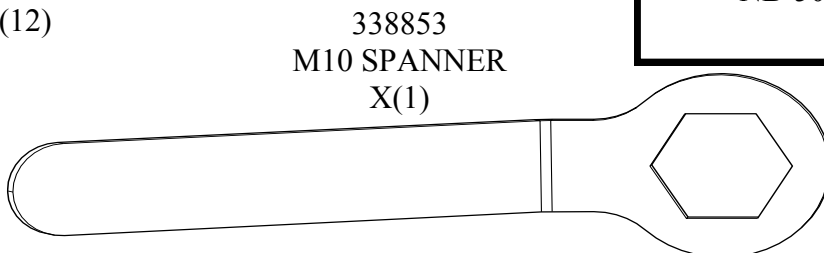
219649
CASTOR NUT



219842
20M COACH
BOLT
X(12)

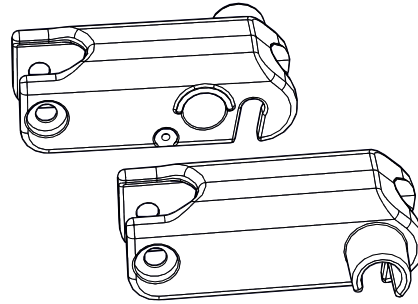


204093 X(4)
200MM CASTOR

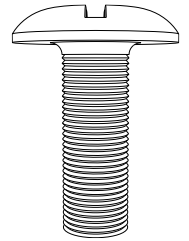


338853
M10 SPANNER
X(1)

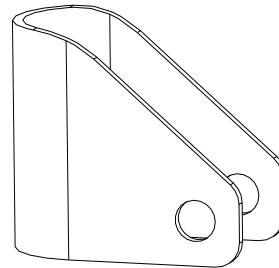
NB-4003/4 +5004/5 ONLY



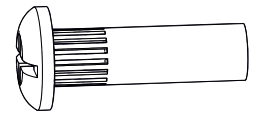
227966-227969
L + R PIVOT ARMS
NB-4003/4 X (1 SET)
NB-5004/5 X (2 SETS)



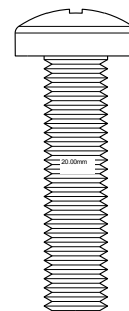
219802
M6 CONNECTING
SCREW BOTTOM
NB-4003/4 X (4)
NB-5004/5 X (8)



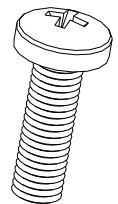
418760
LID FRAME BRACK-
ET
NB-4003/4 X (2)
NB-5004/5 X (4)



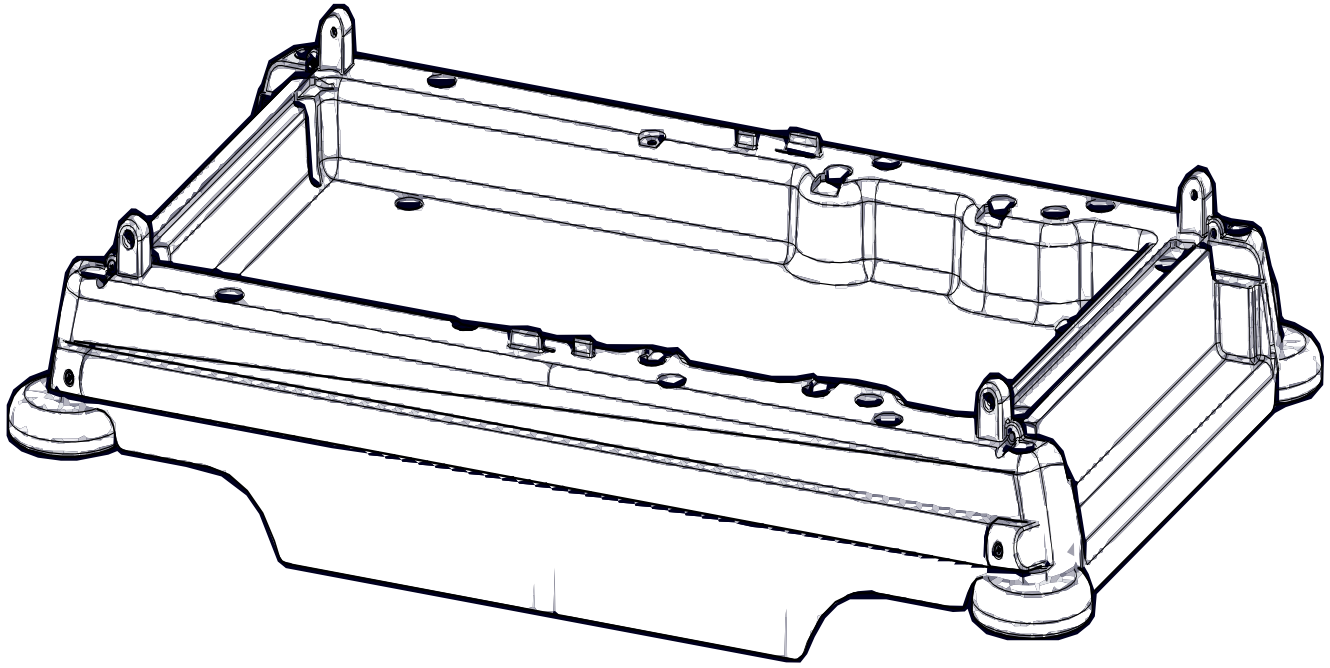
219802
M6
CONNECTING
SCREW TOP
NB-4003/4 X(4)
NB-5004/5 X(8)



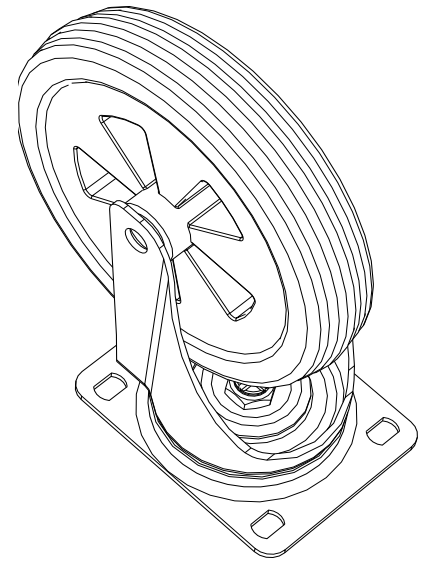
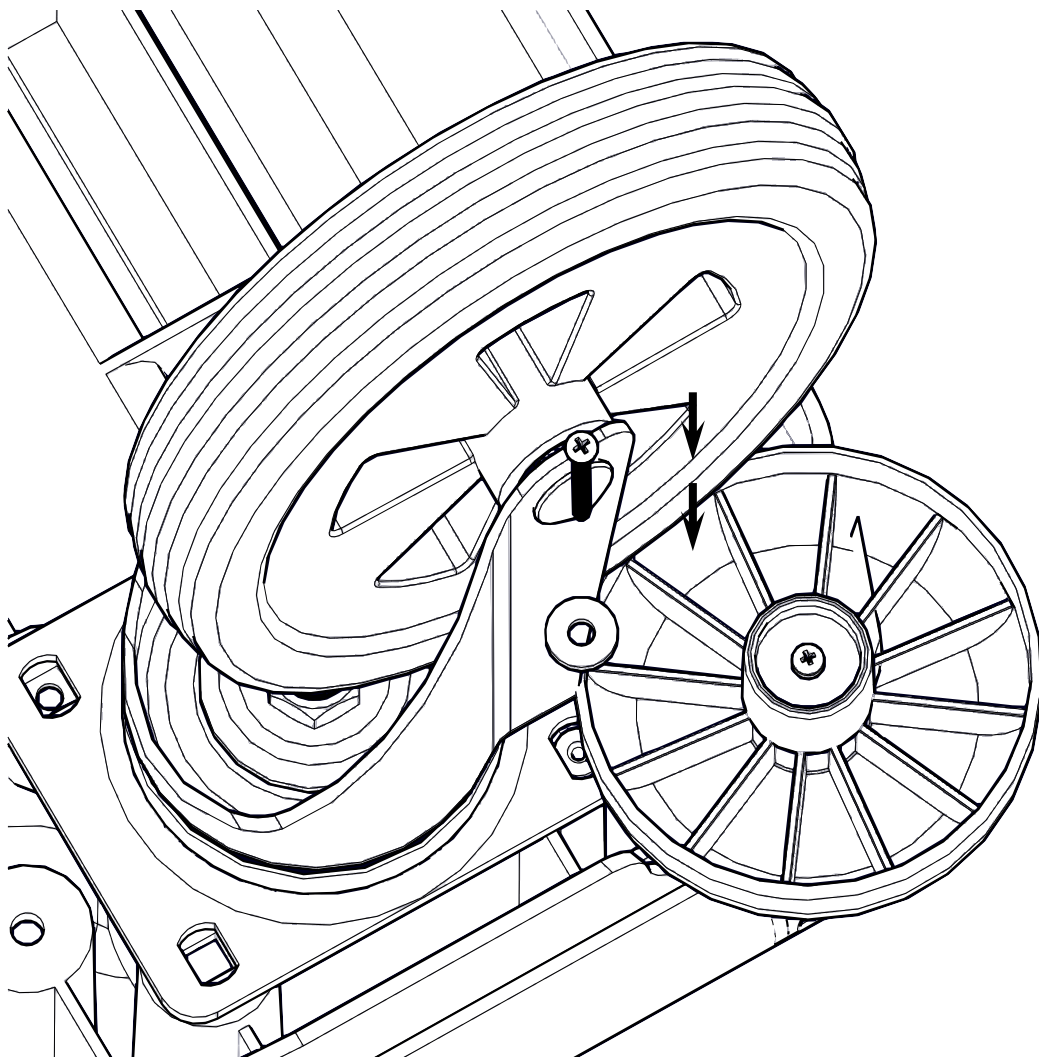
219054
M5 X 20 POZI PAN SCREW
NB-4003/4 X (2)
NB-5004/5 X (4)



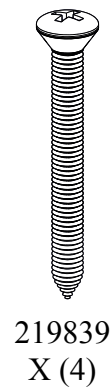
219050
M5 X 16 POZI
SCREW
NB-4003/4 X (2)
NB-5004/5 X (4)



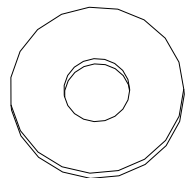
338879 TROLLEY BASE ASSY X (1)



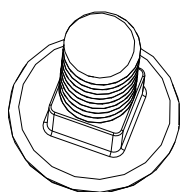
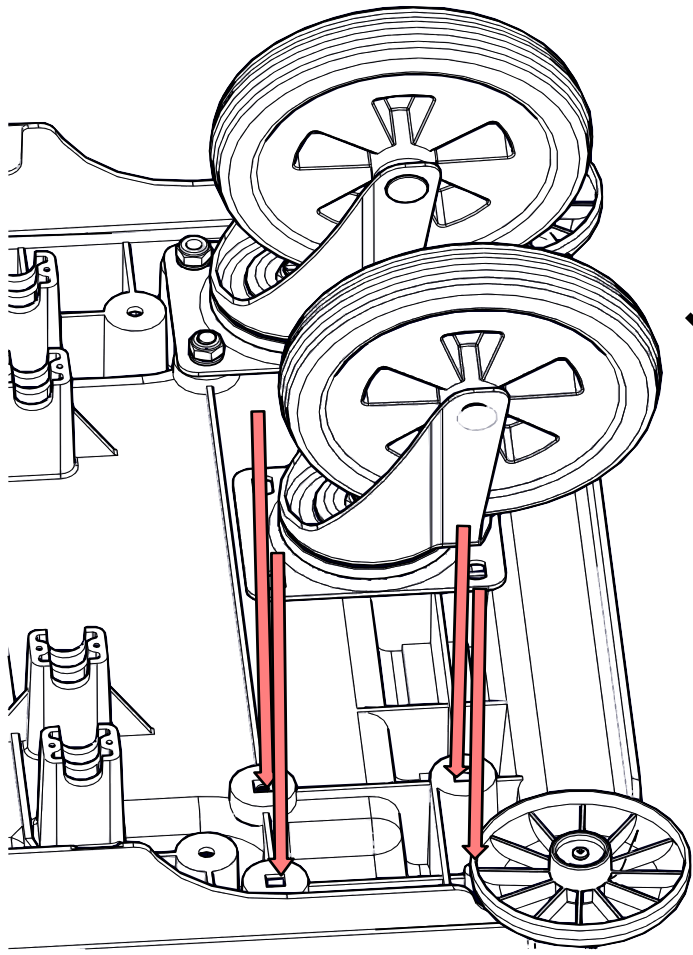
204093 X (4)



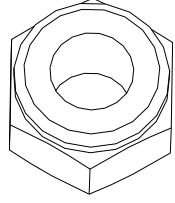
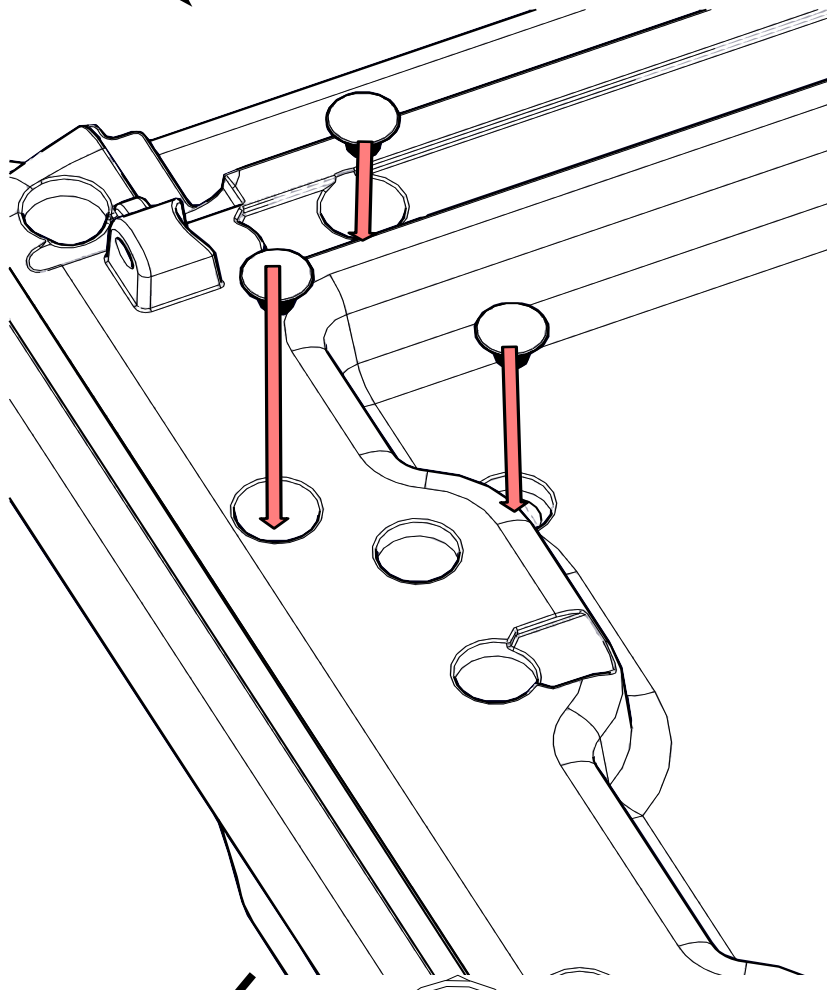
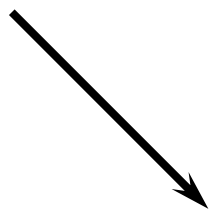
219839
X (4)



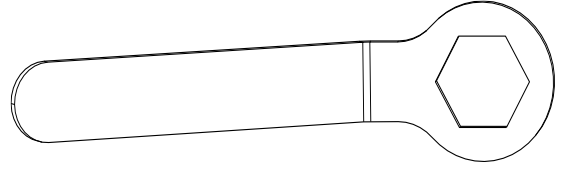
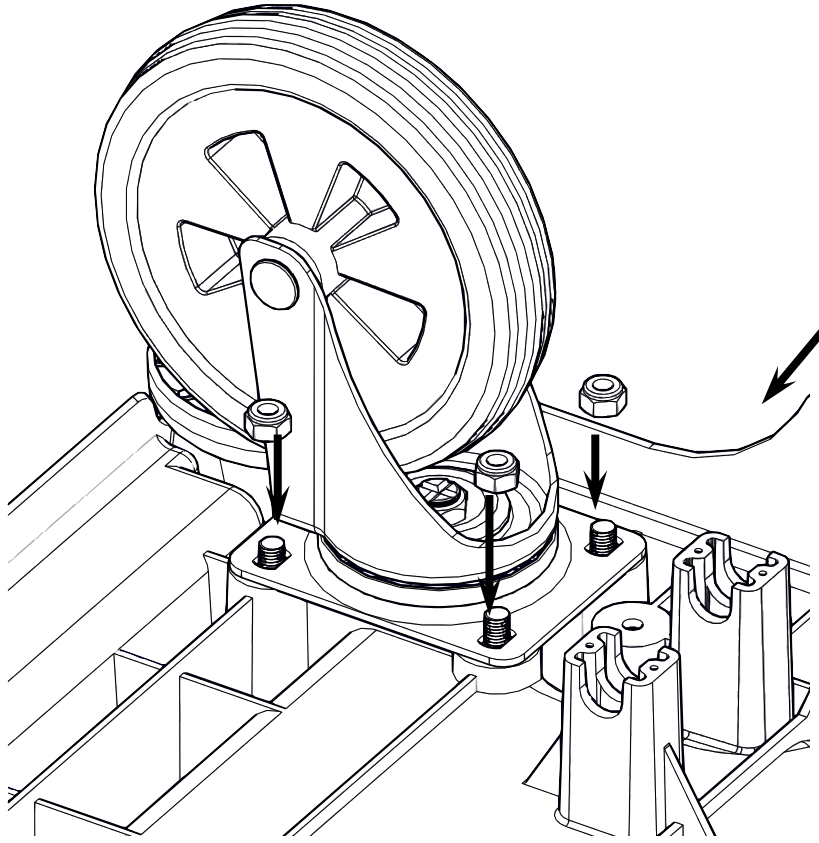
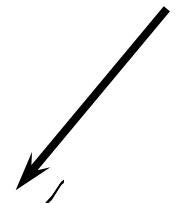
219008
X(4)



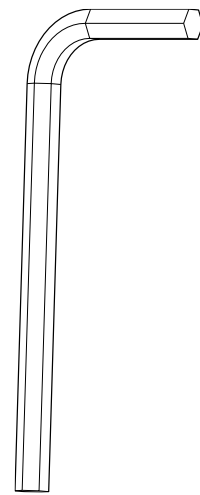
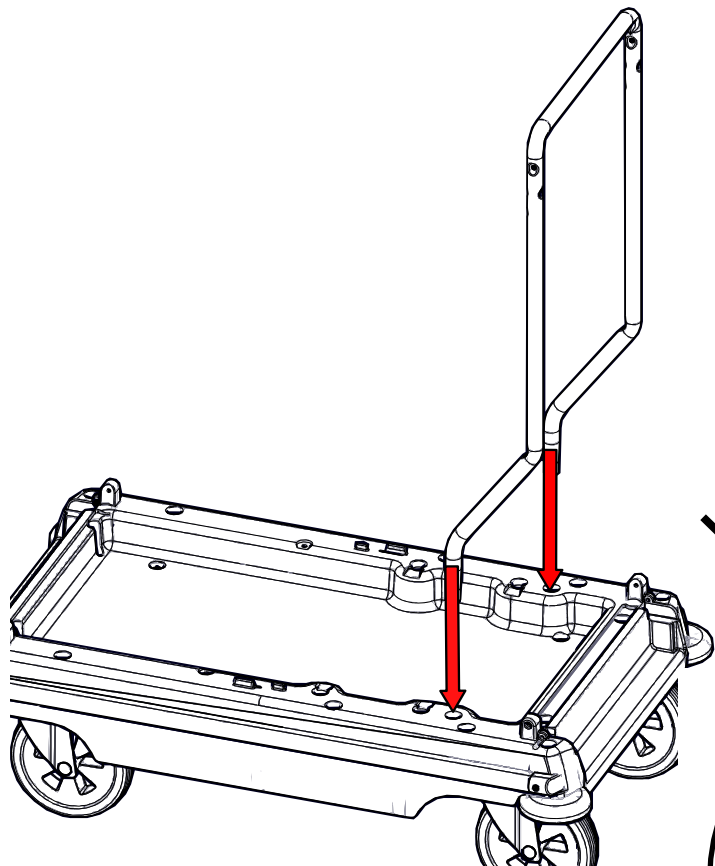
219842
X(12)



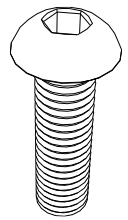
219649
X(12)



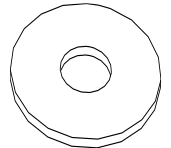
338853 X(1)



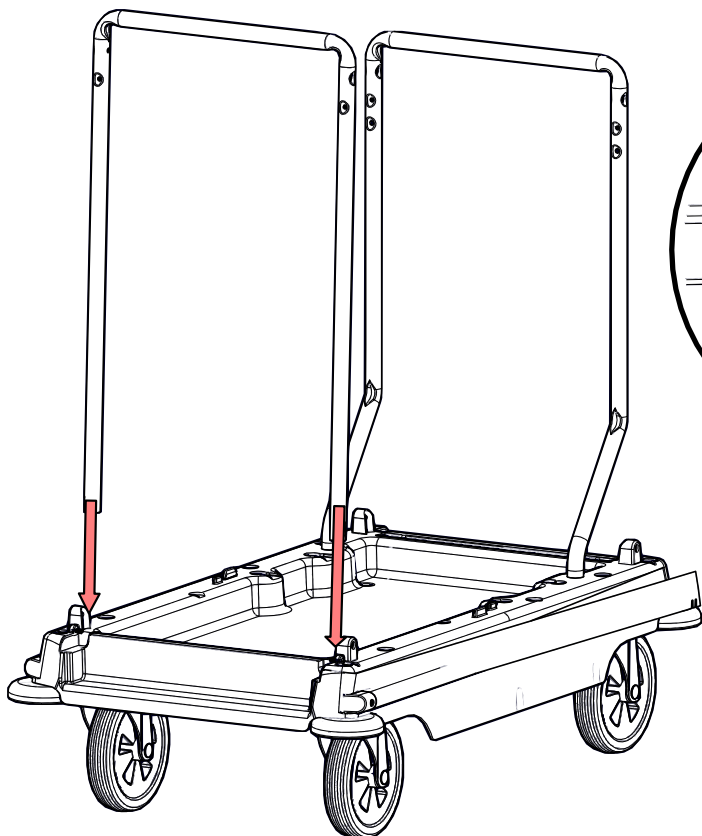
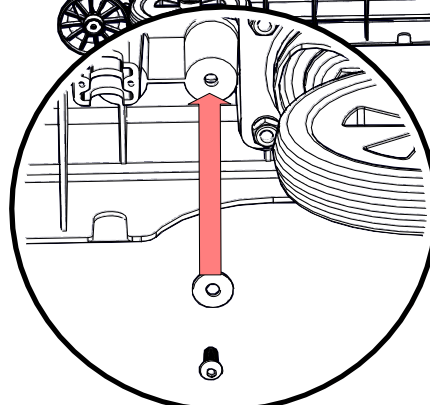
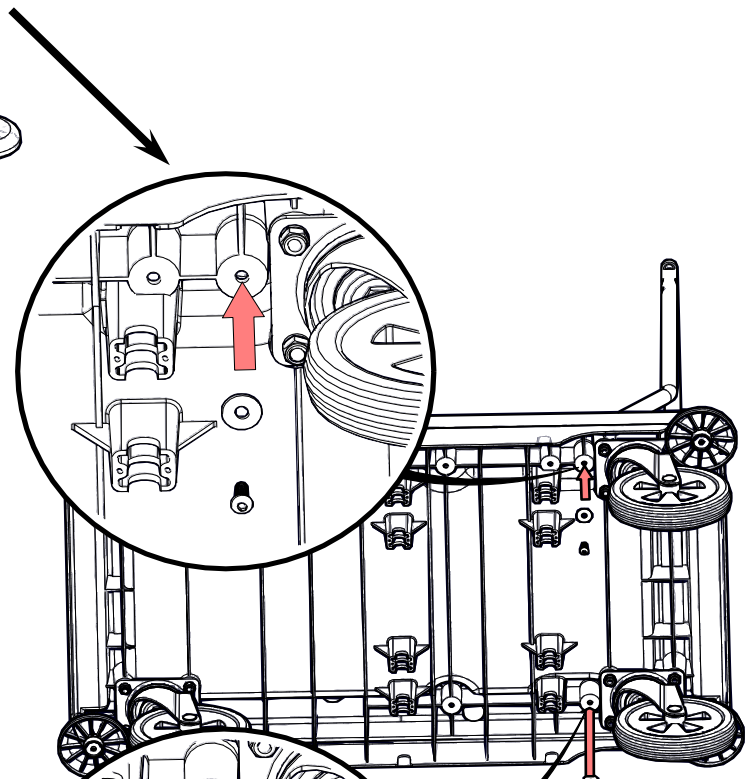
219554 X(1)

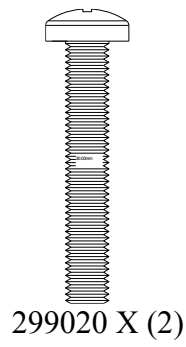
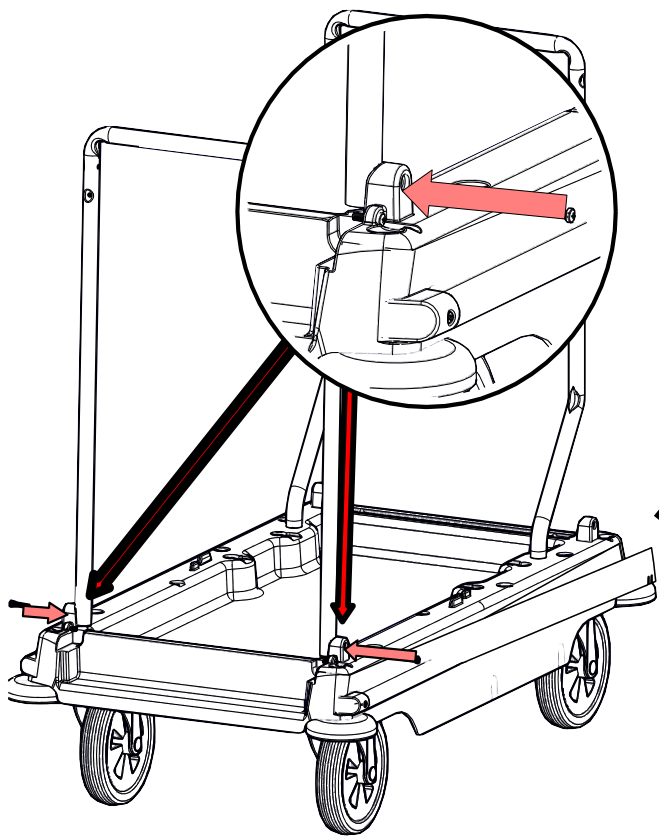


219555 X(2)

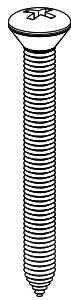
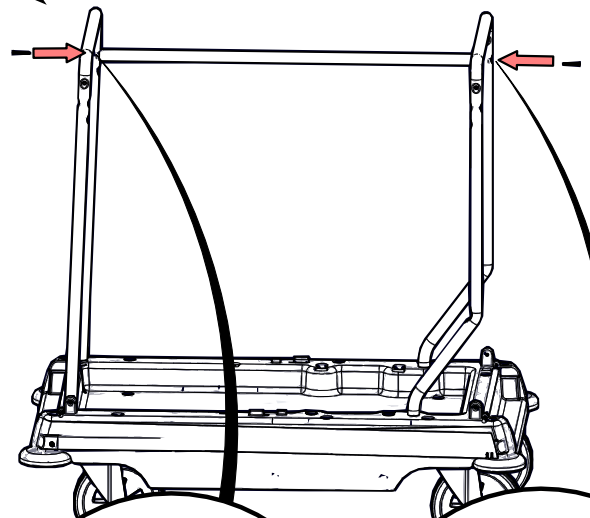


221154 X (2)

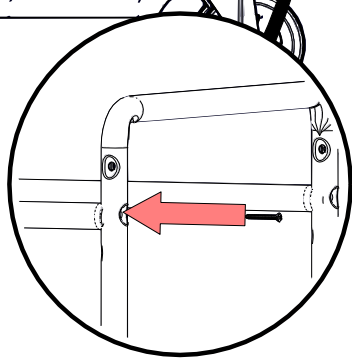
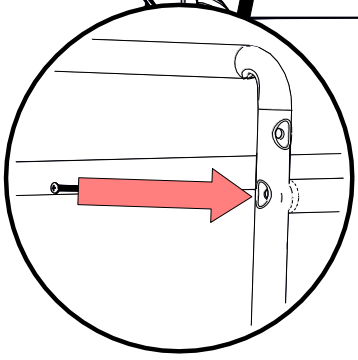
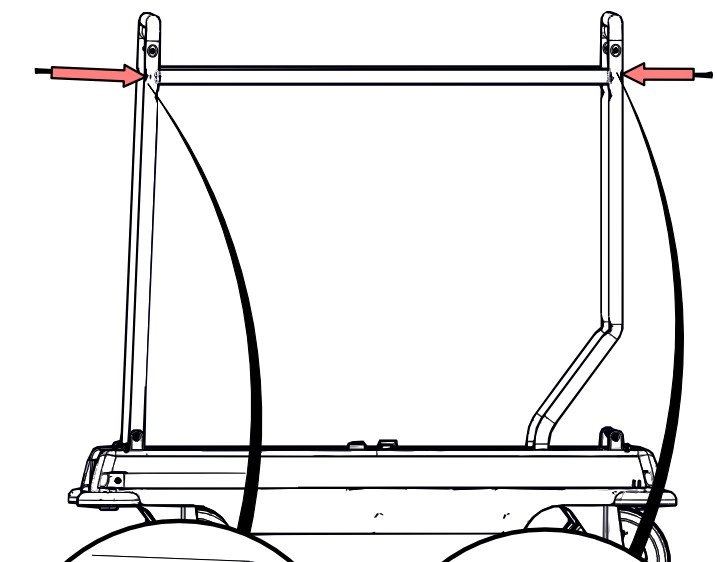
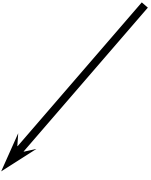
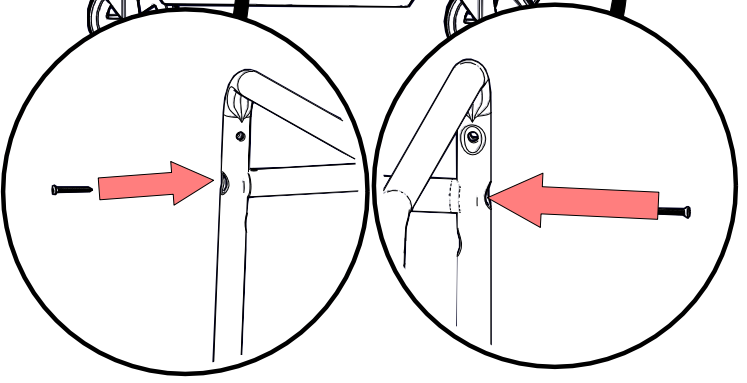


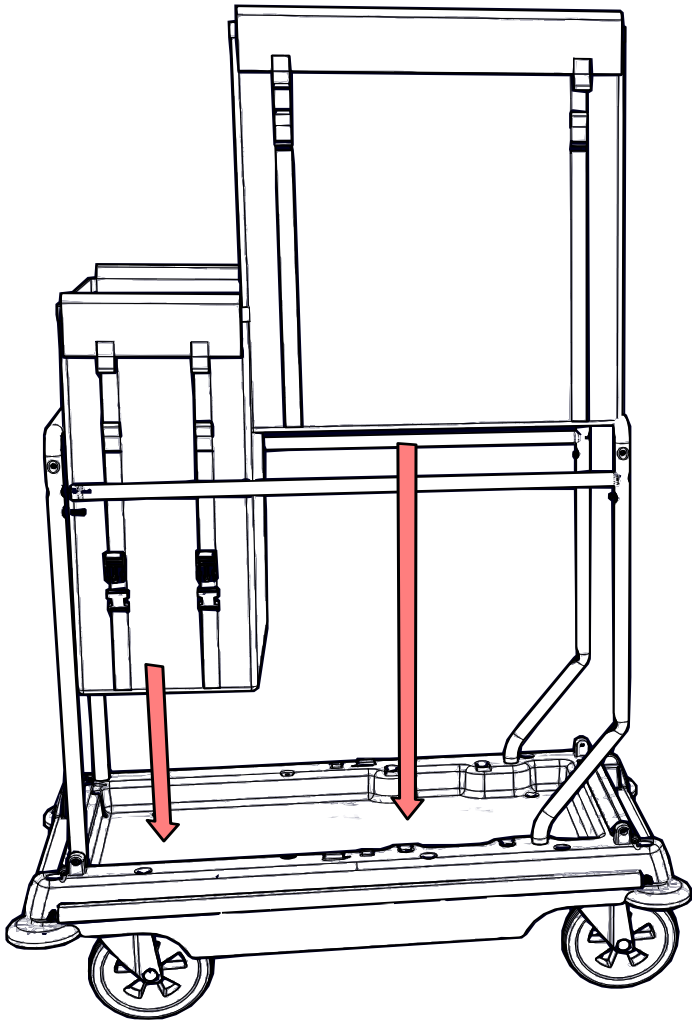


299020 X (2)



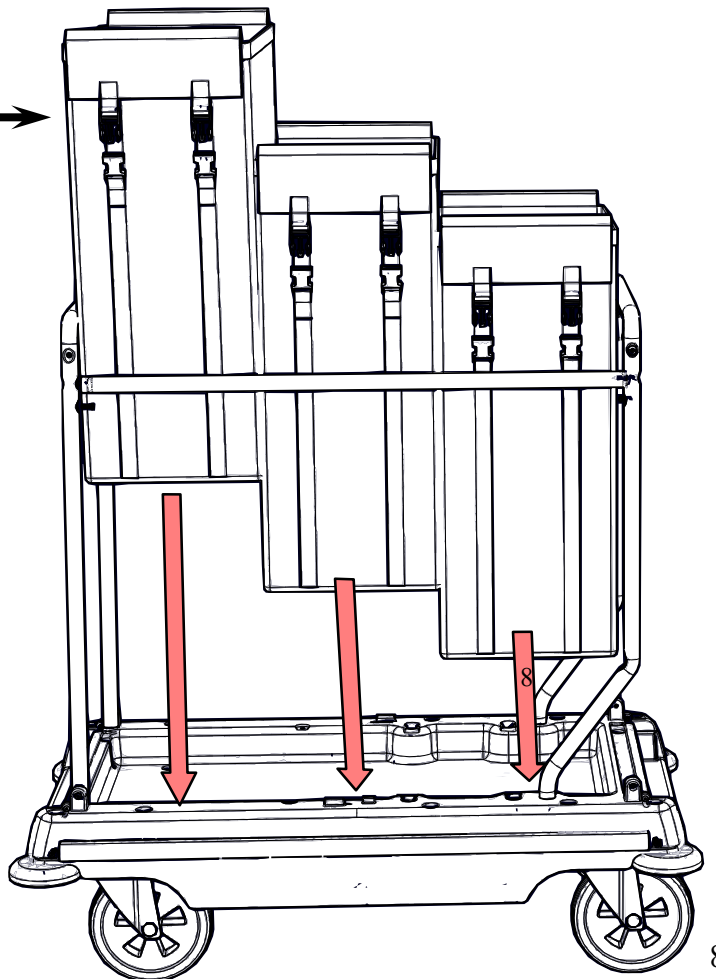
219839 X(4)

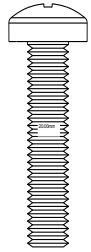
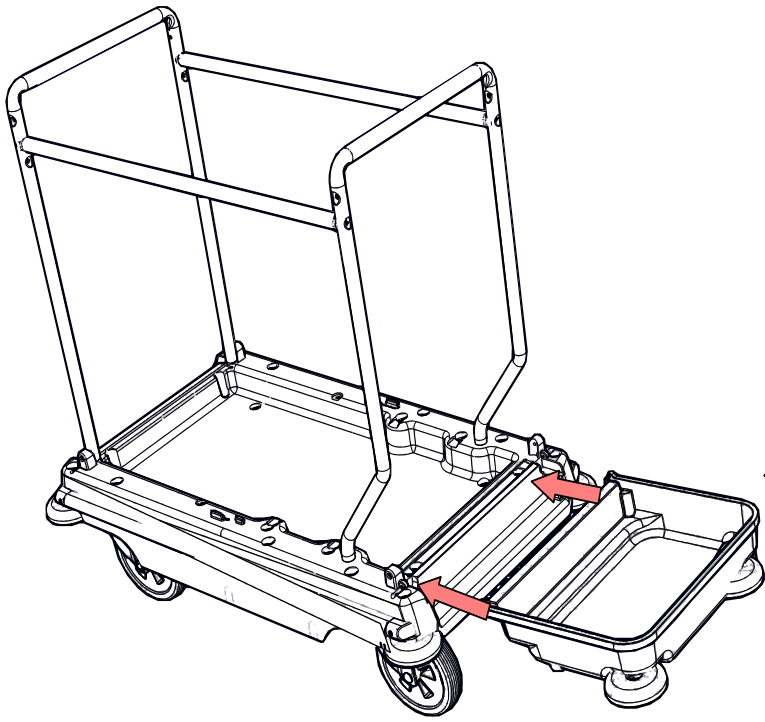




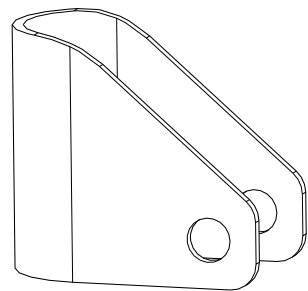
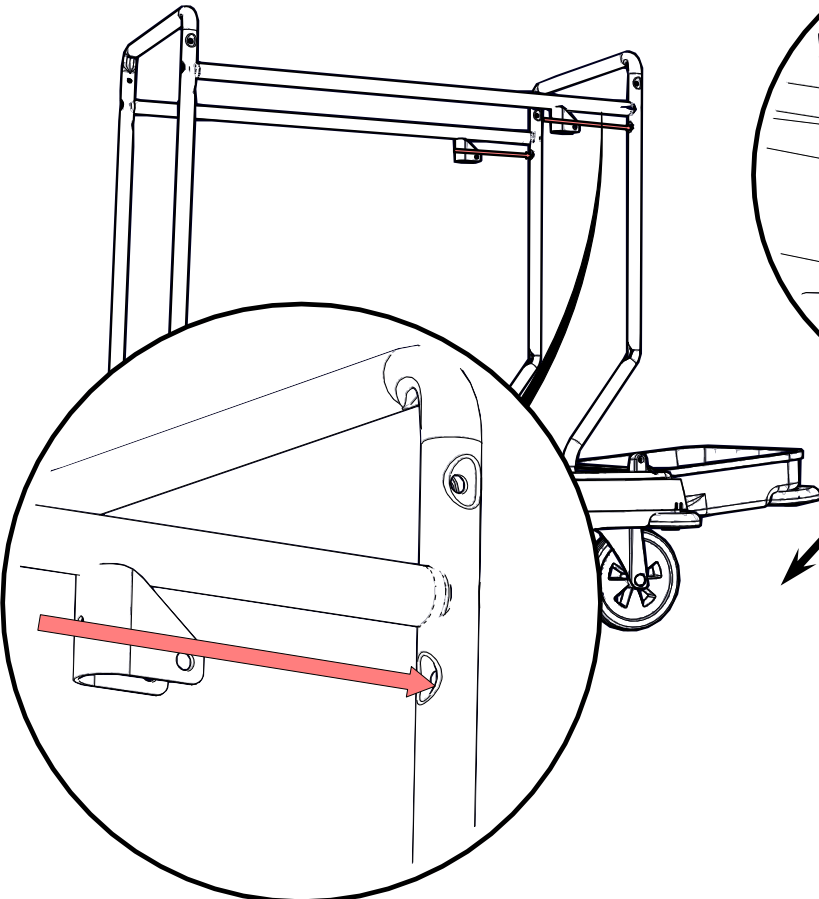
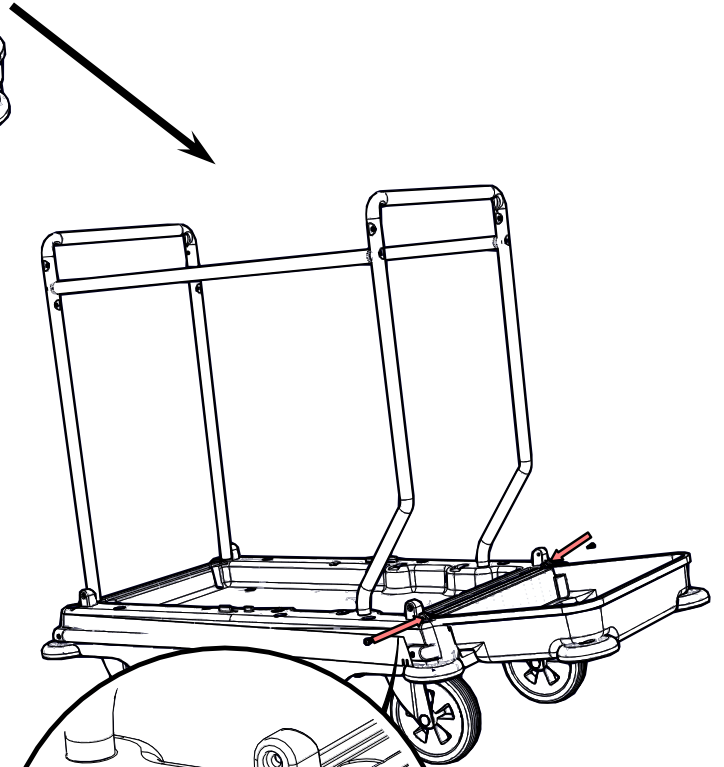
← NB-3002

NB-3003 →

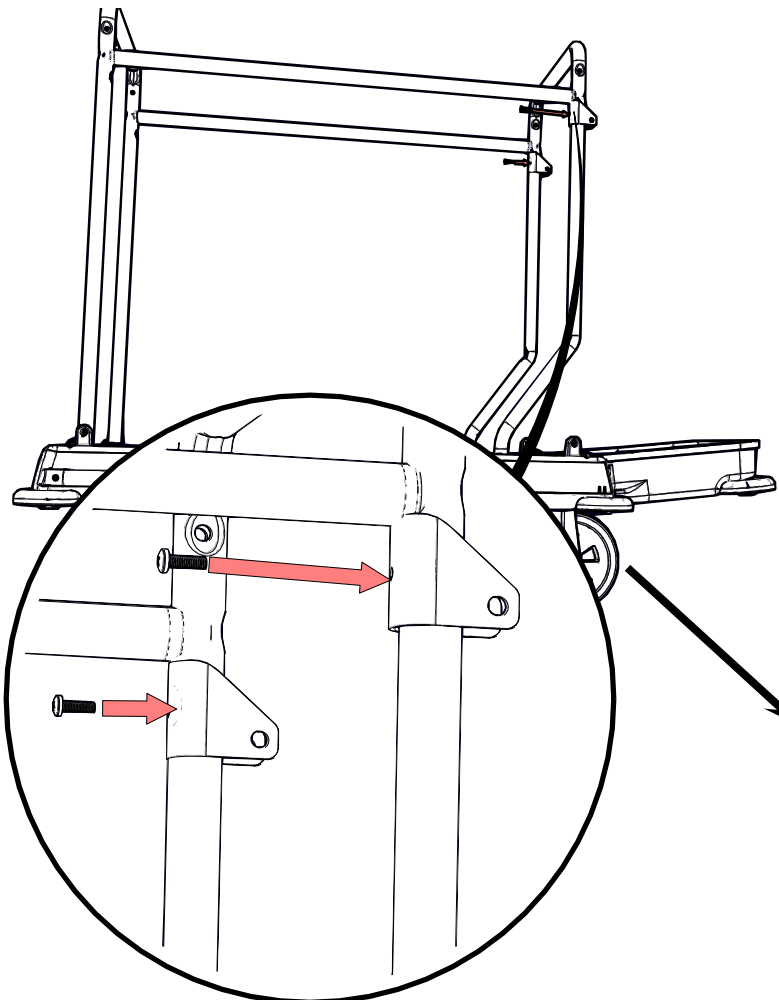




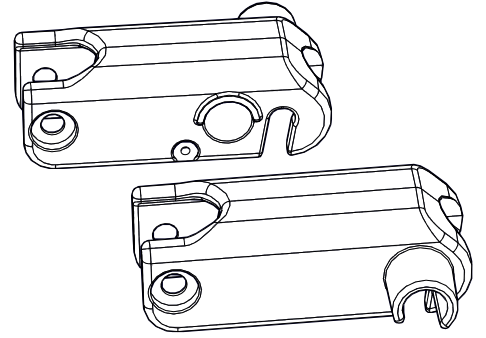
219054 (2)



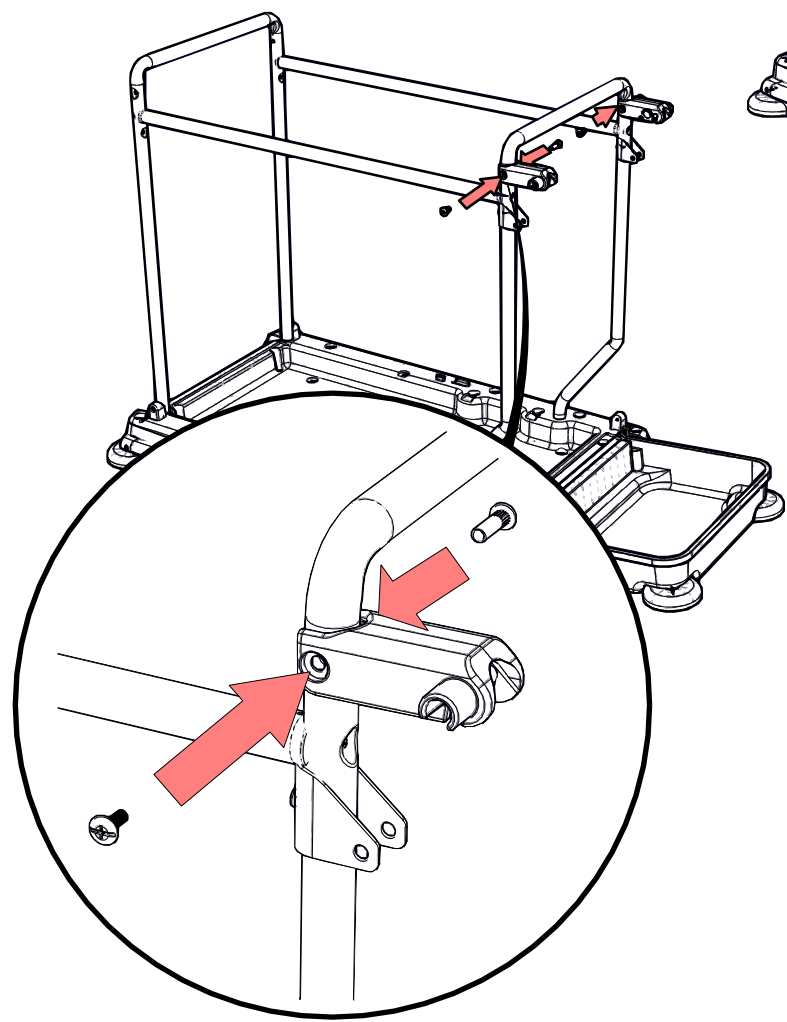
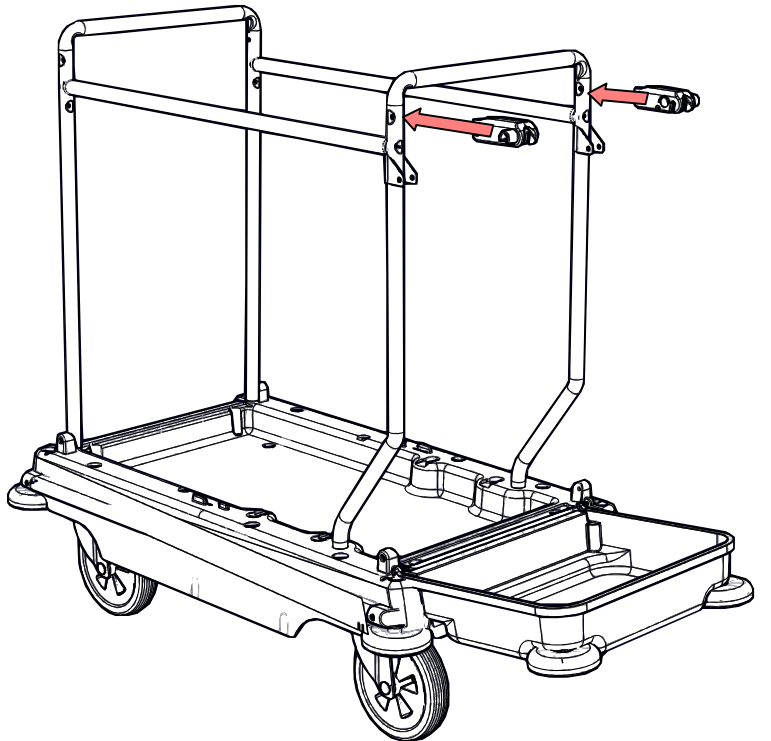
418760 X (2)



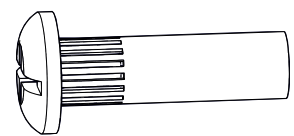
219050 X (2)



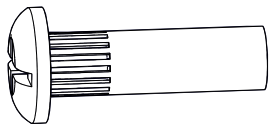
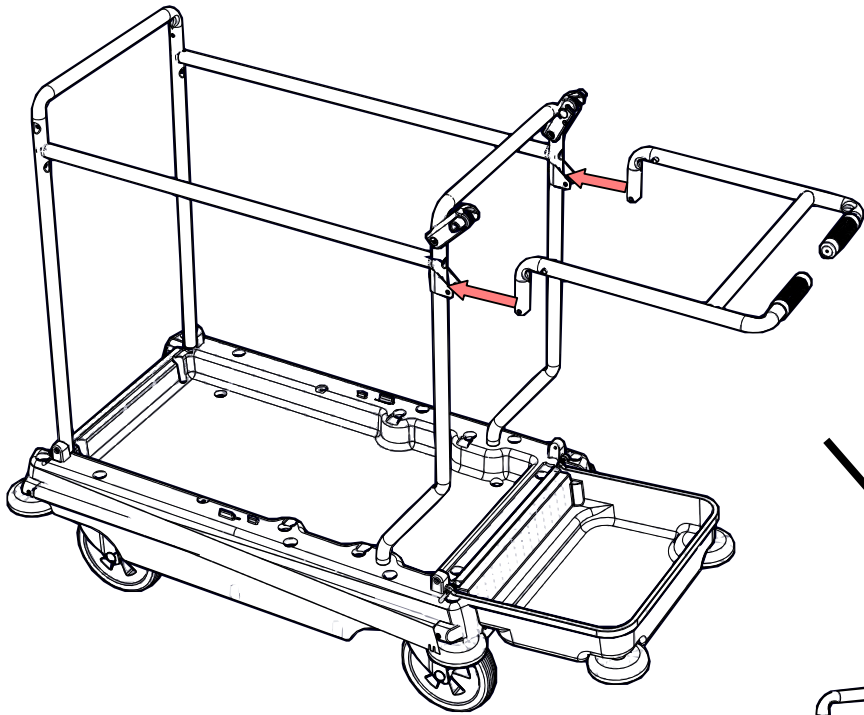
227966 X (1)
227969 X(1)



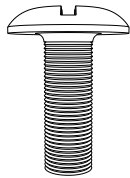
219802
BOTTOM X (2)



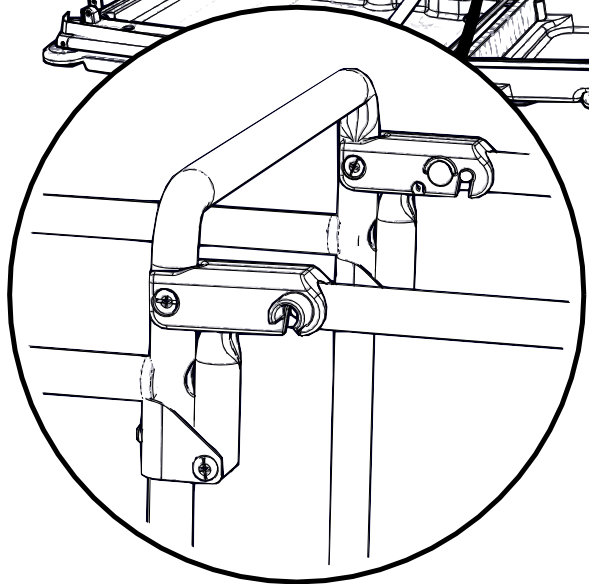
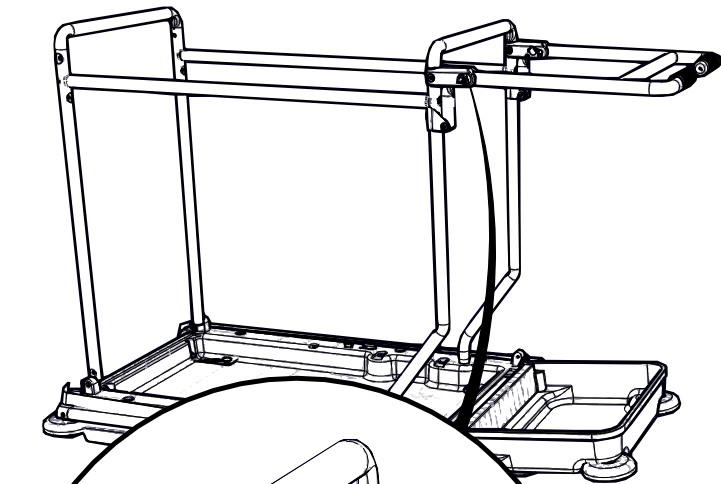
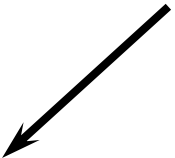
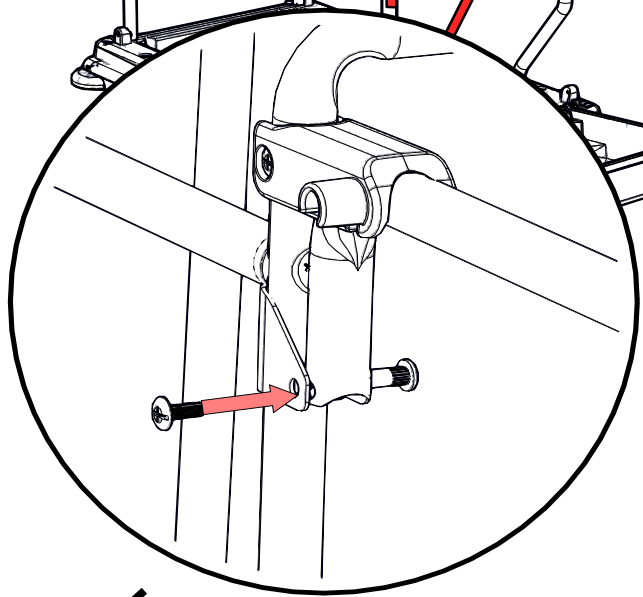
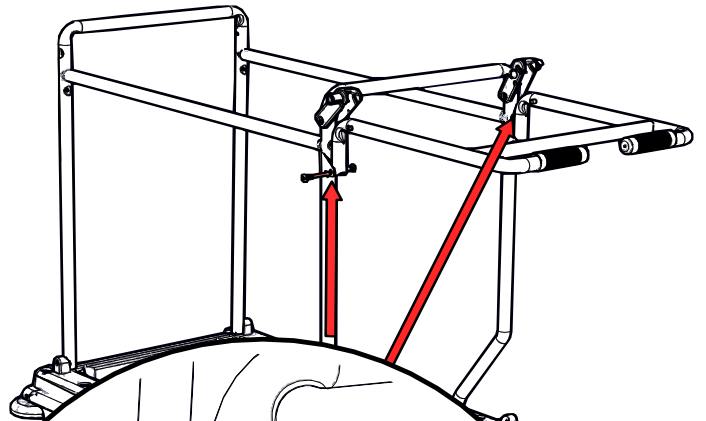
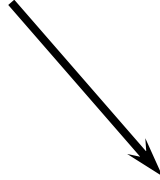
219802
TOP X(2)

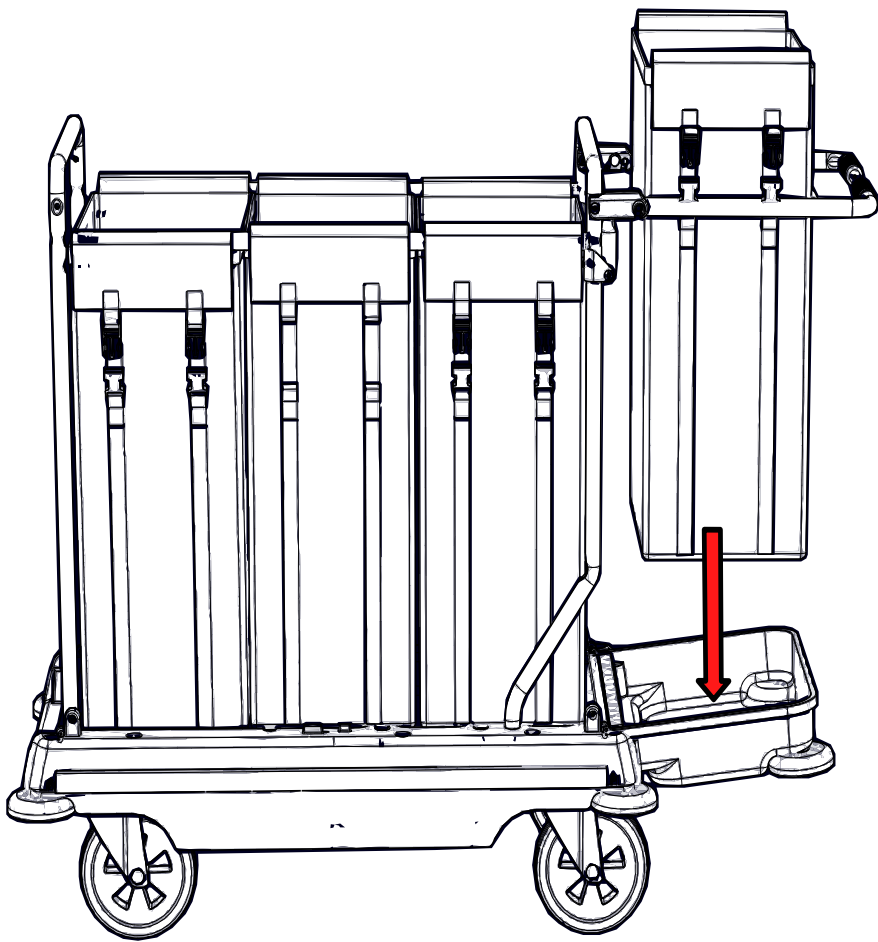


219802
TOP X(2)



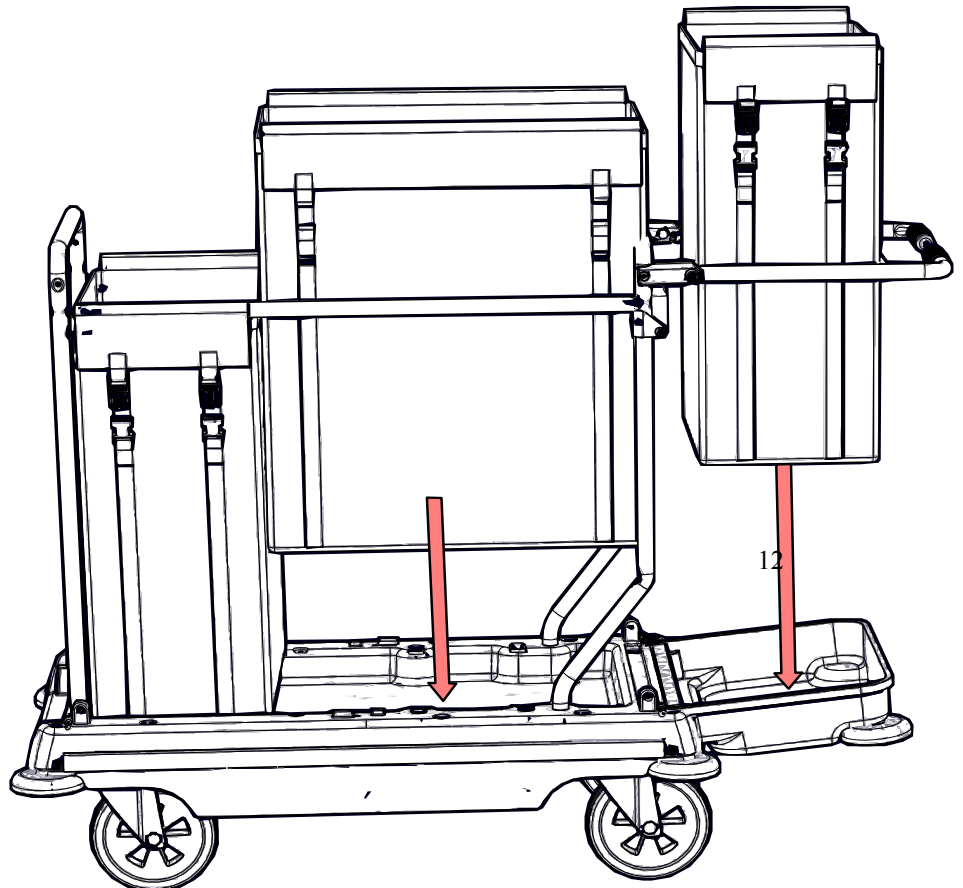
219802
BOTTOM X(2)

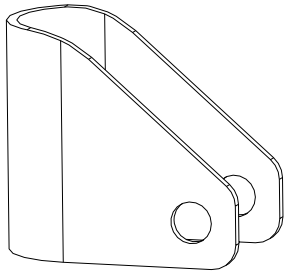
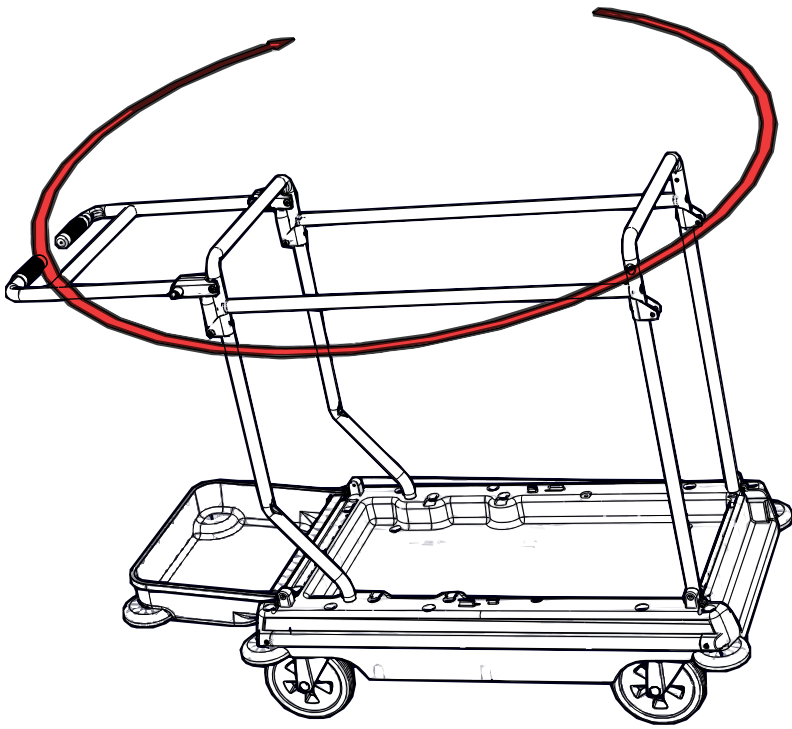




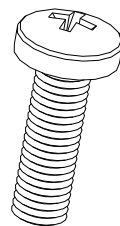
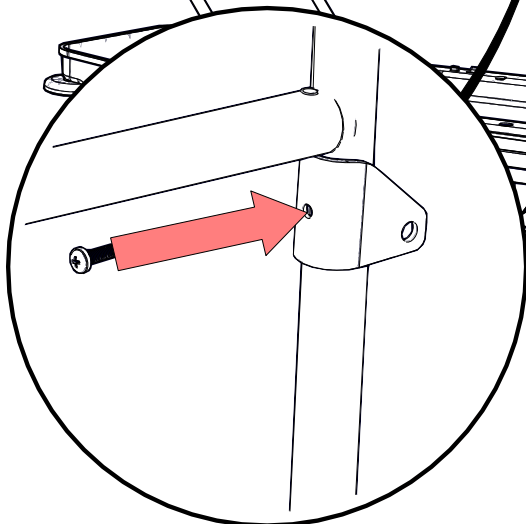
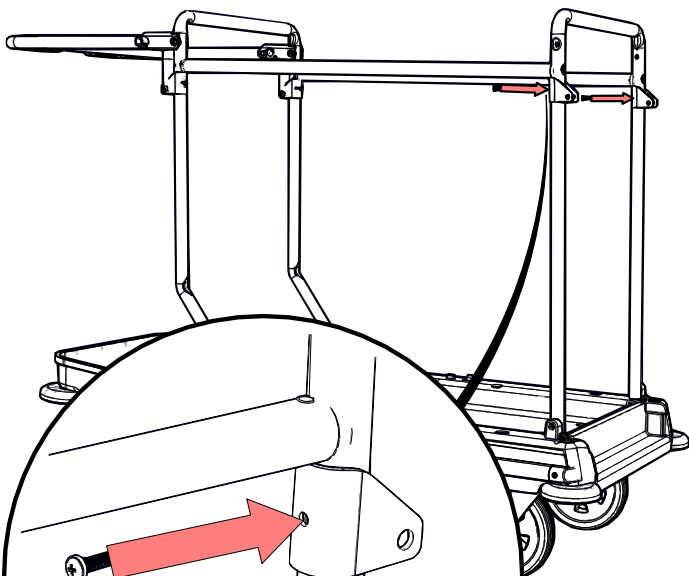
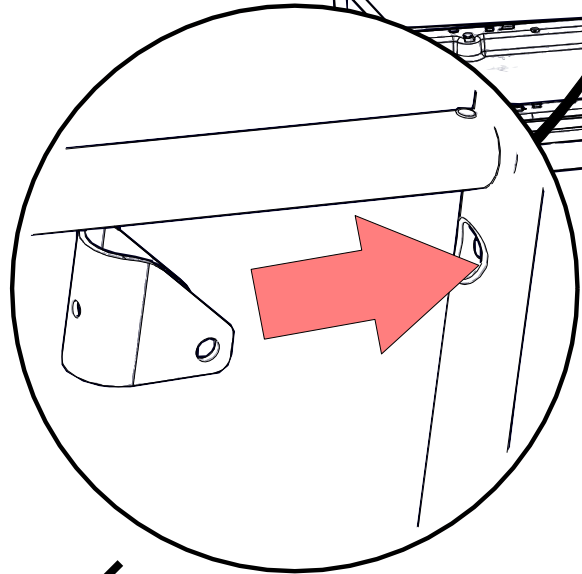
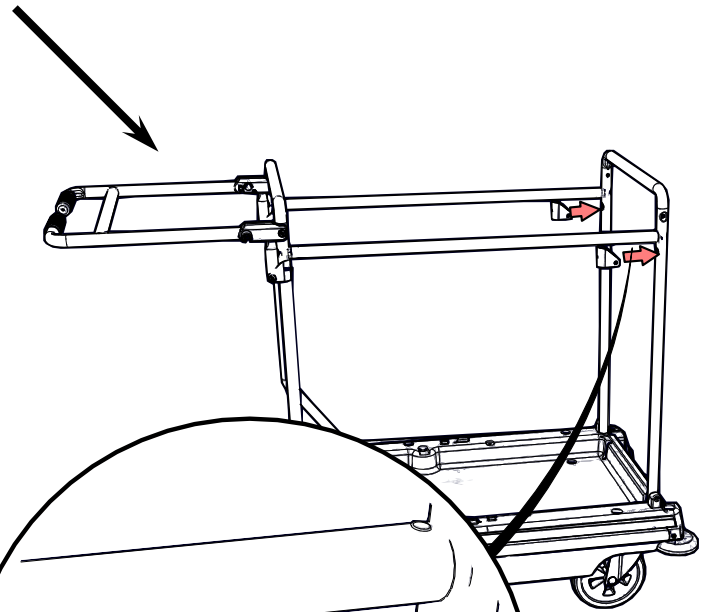
← NB-4004

NB-4003 →

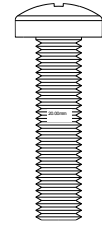




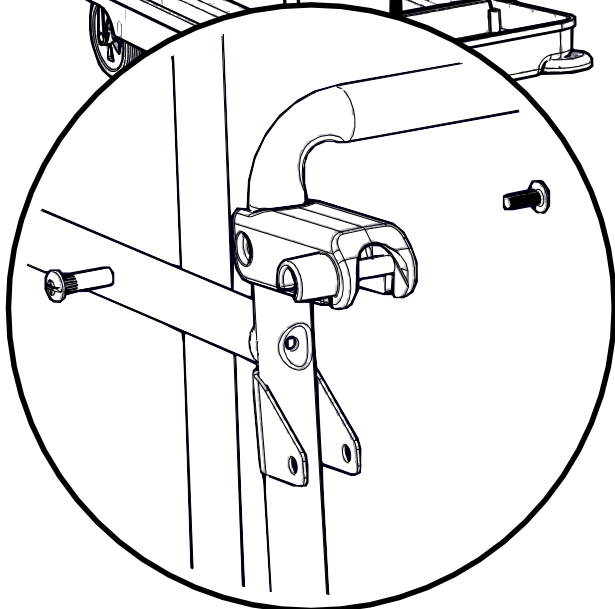
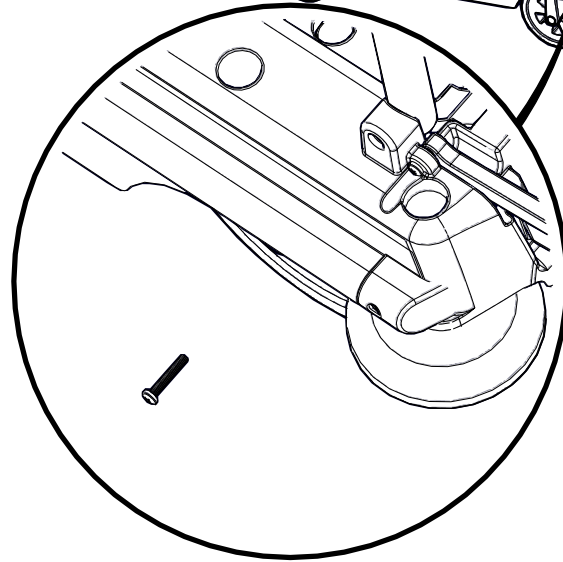
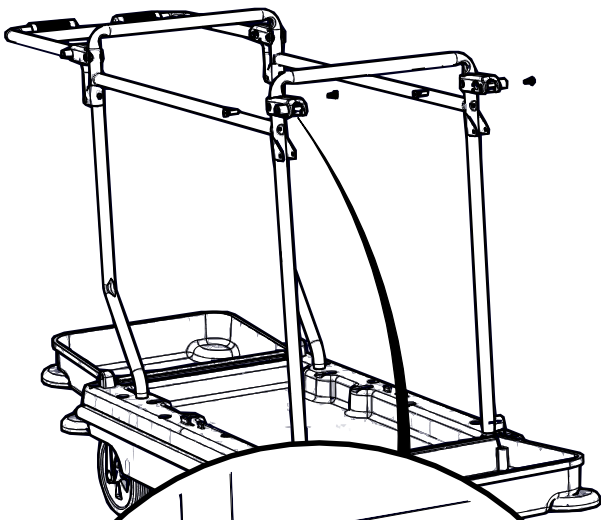
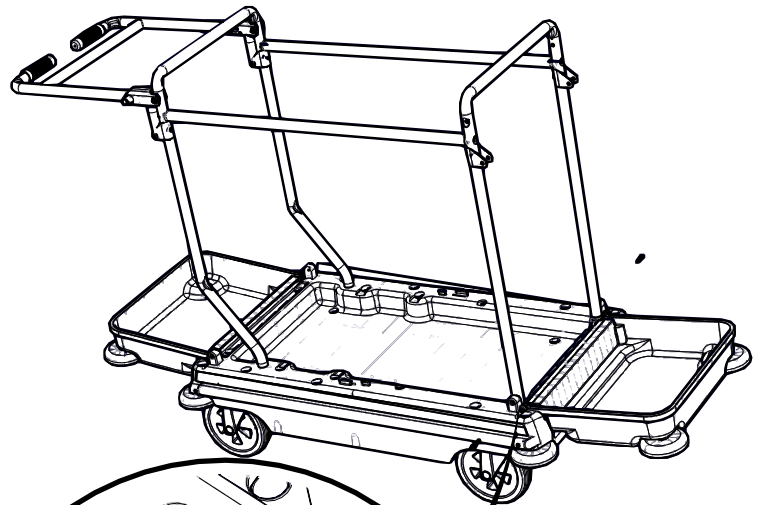
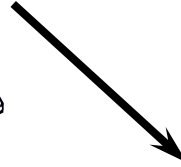
418760 X (2)



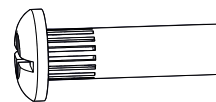
219050 X (2)



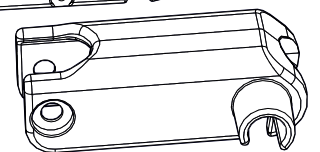
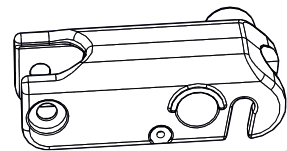
219054 X(2)



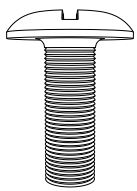
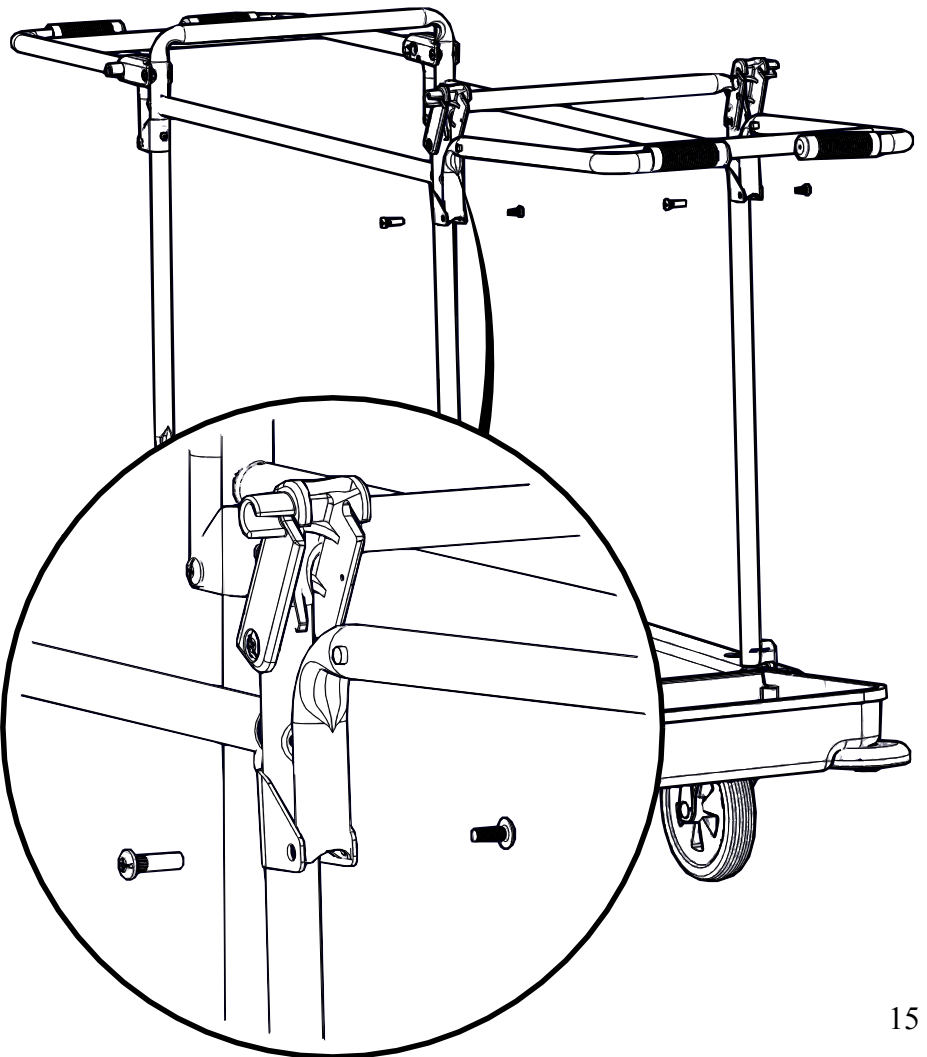
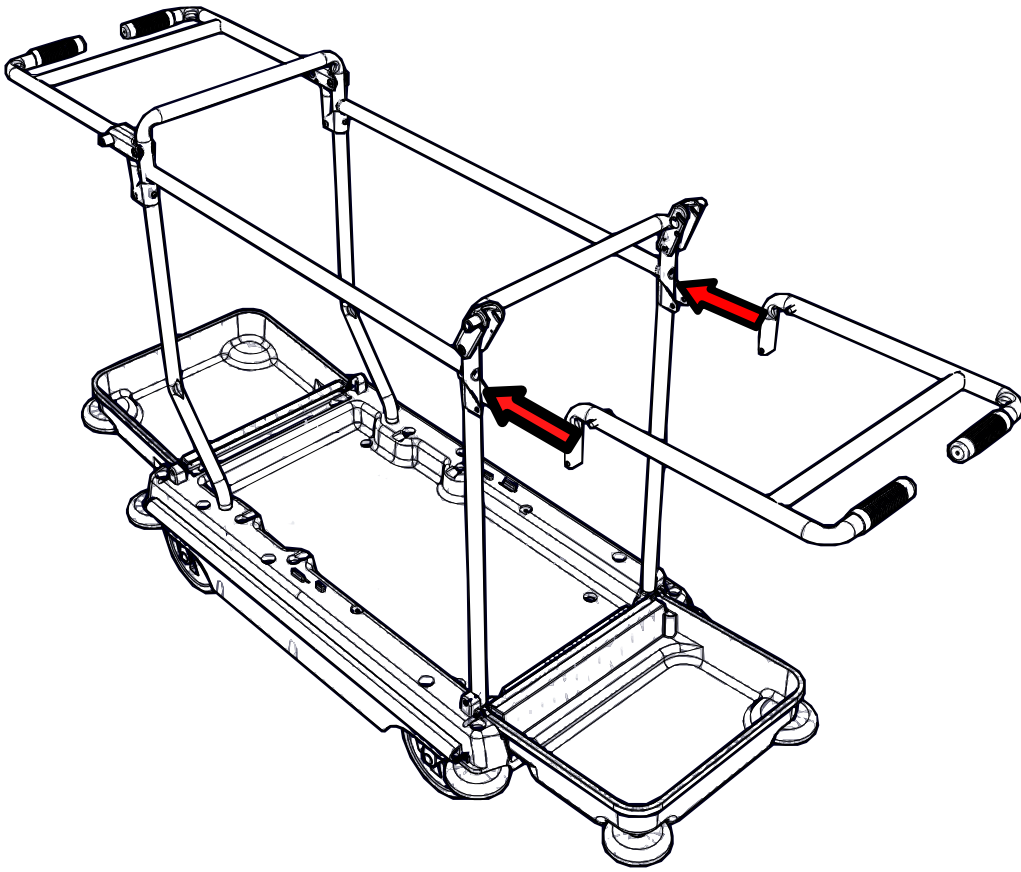
219802
BOTTOM X (2)



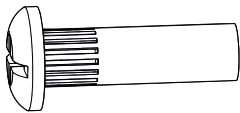
219802
TOP X(2)



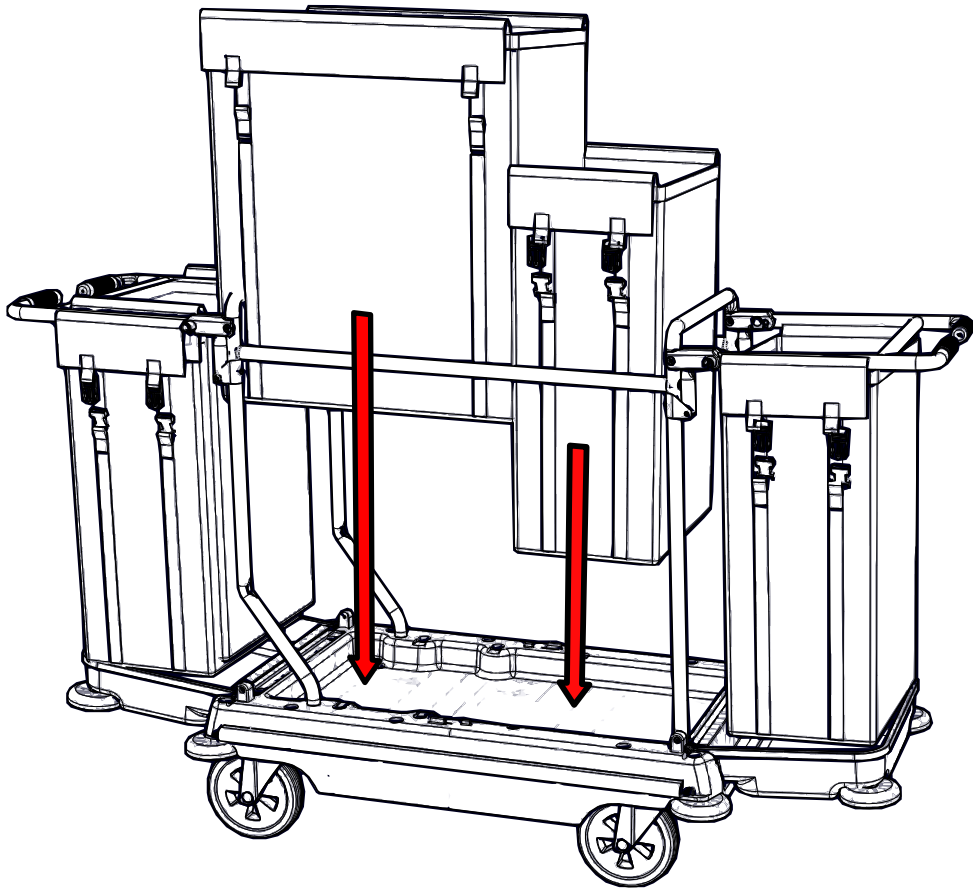
227966 X (1)
227969 X(1)



219802
BOTTOM X (2)

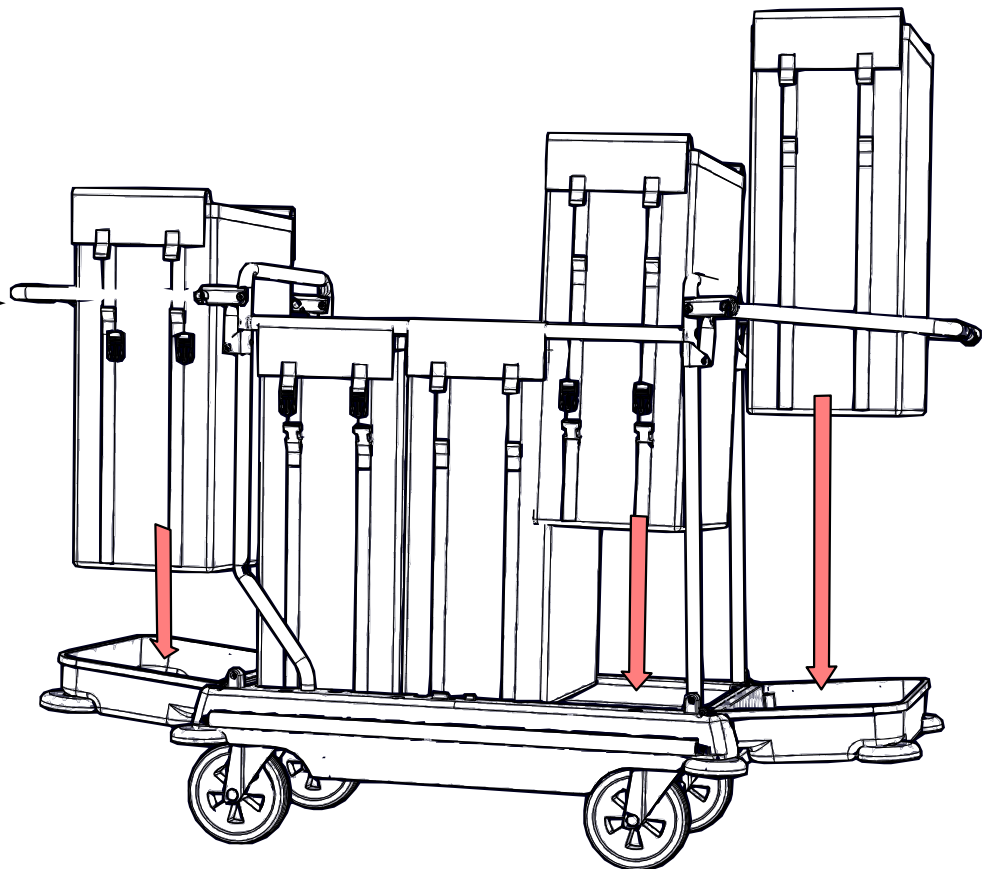


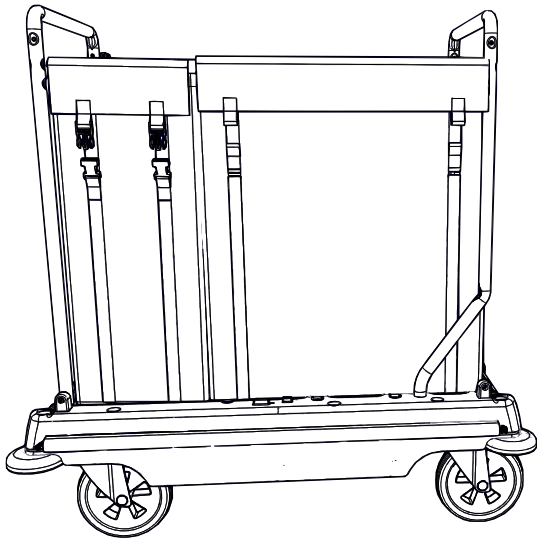
219802
TOP X(2)



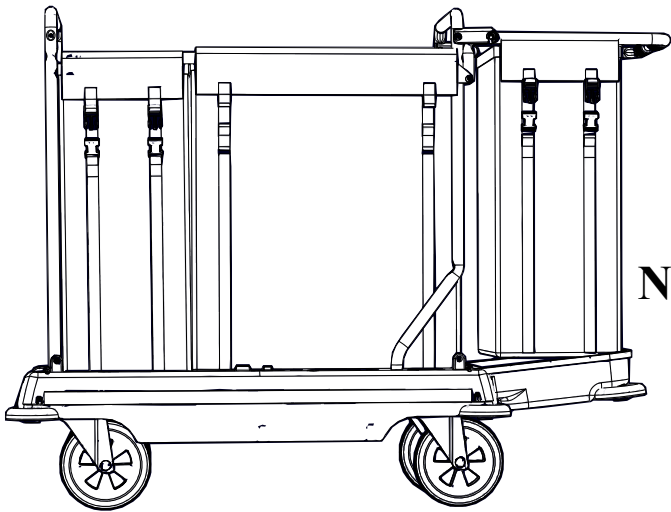
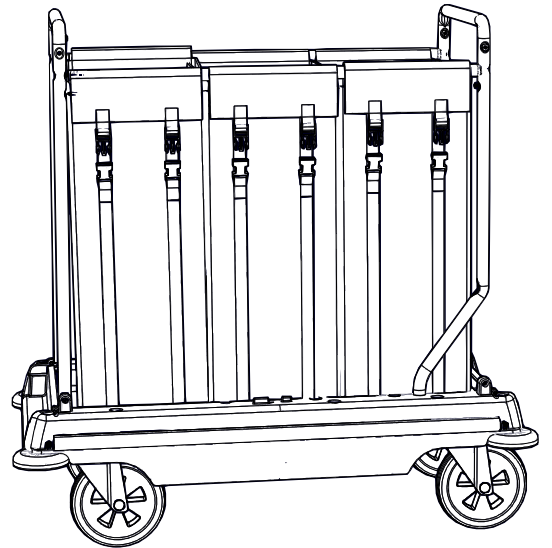
← NB-5004

NB-5005 →

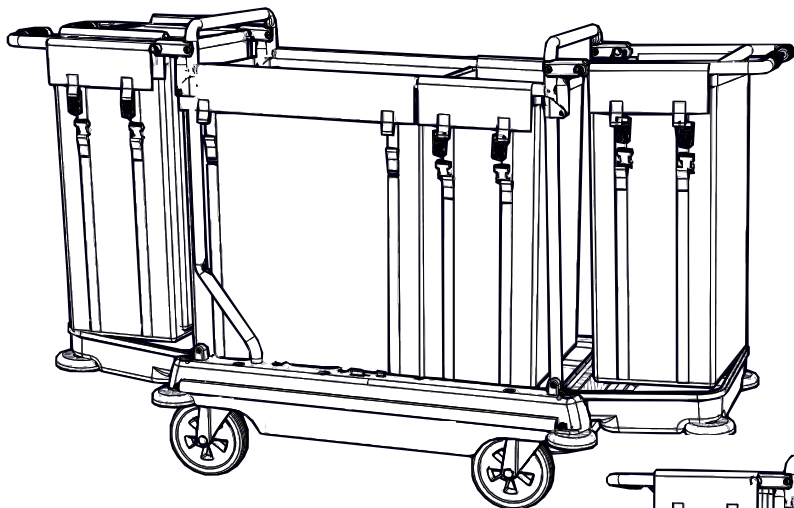
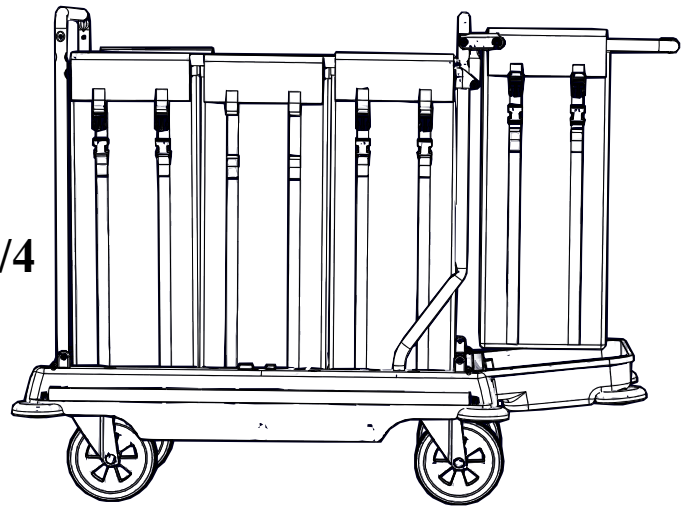




NB-3003/4



NB-4003/4



NB-5004/5

