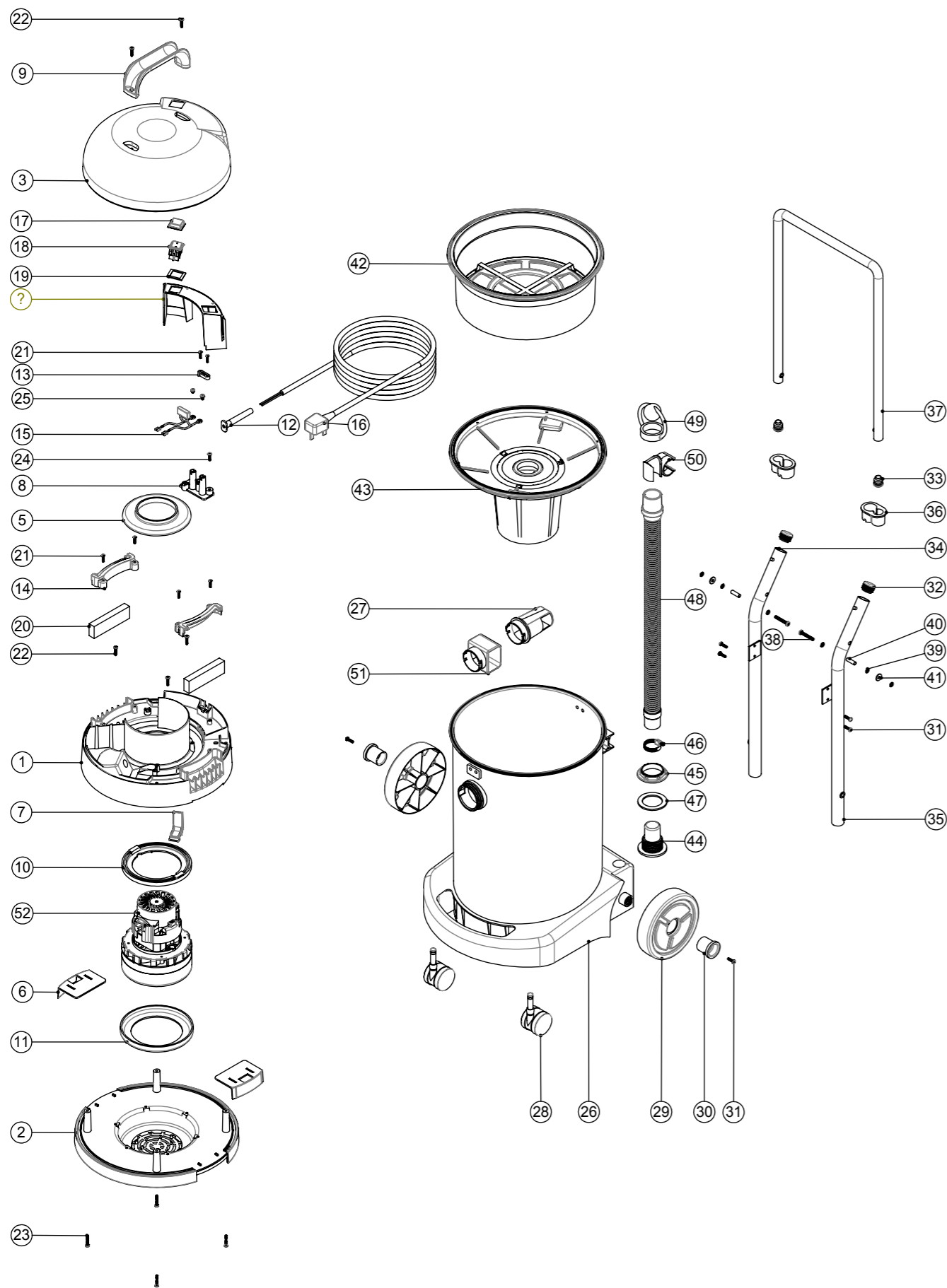


Numatic International Spare Parts

Model No: WV 470-2 EXPLODED DRAWING

NB: FOR WIRING SEE DRAWING: WD-0239

234339
DRAWING: EXP-0770 ISS:A10
29/02/2012



Numatic International Spare Parts

Model No: WV 470-2 EXPLODED DRAWING

ITEM:	PART No:	DESCRIPTION	COMMENTS:
1	325512	TOP MOTOR HOUSING (PRINTED GREY NUMATIC)	
2	227921	BOTTOM MOTOR HOUSING	
3	227919	SWITCH COVER TOP	
4			
5	227926	AIR SEPERATOR	
6	227115	TOGGLE	
7	227019	CABLE HOOK	
8	220472	TERMINAL BLOCK MOULD + INSERTS	
9	206451	HANDLE	
10	227925	TOP MOTOR GASKET	
11	202031	BOTTOM MOTOR GASKET	
12	220923	STRESS RELIEF	
13	227008	BLACK CABLE CLAMP	
14	237184	SPLASH PAD RETAINER - WV/CT	
15	220698	SUPPRESSOR ASSEMBLY	
	230117	470nF SUPPRESSOR ASSEMBLY	TAIWAN
	205441	120V 2 STAGE D.I BYPASS ACUSTEK MOTOR (BL21101T)TCO	
	205440	100V 2 STAGE D.I BYPASS ACUSTEK MOTOR (BL21100T)TCO	
16	236033	10.0M X 1.00MM X 2 CORE CABLE (UK PLUG)	
	236034	10.0MT X 1.0MM X 2 CORE EURO PLUG	
	236044	10.0M X 1.00MM X 2 CORE CABLE (AUSTRALIAN PLUG)	
	236049	10.0M X 1.50MM X 2 CORE CABLE (INDUSTRIAL PLUG)	
	236036	10.0M X 1.00MM X 2 CORE CABLE (SOUTH AFRICAN PLUG)	
	220861	12.5MT X .75MM X 2 CORE CABLE + SWISS PLUG	
	236101	10M X 2 CORE X 1.25MM VCTF CABLE (JAPAN)	
	236043	10.0M X 18AWG X 3 CORE YELLOW CABLE (CSA PLUG)	
	236106	2 CORE X 1.5MM X 10 METRE BLACK TAIWAN CABLE	
17	206573	SWITCH COVER (PLUG HANDLE)	
18	220843	BLUE ROCKER SWITCH	
19	291015	SWITCH GASKET - WV/CT	
20	291014	SPLASH PAD - WV/CT	
21	219107	No6 X 5/8 INCH LONG POZI PAN PLASTITE SCREW	
22	219041	No8 X 3/4 INCH LONG POZI PAN SCREW	
23	219369	No8 X 1 INCH LONG POZI PAN STAINLESS STEEL PLASTITE SCREW	
24	219101	No8 X 1/2 INCH LONG POZI PAN PLASTITE SCREW	
25	219090	M4 X 8MM LONG POZI PAN SEMS SCREW	
26	227193	BLUE CONTAINER	
	325388	PROCESSED BLUE PLASTIC CONTAINER	FOR DRAIN HOSE MODELS
	227192	RED CONTAINER	
	229758	ROYAL BLUE MOULDED DRUM C/W NECK & PADS	
	229810	470 CUSTARD YELLOW MOULDED DRUM NECK AND PADS	
	229846	MID BLUE MOULDED DRUM C/W NECK & PADS	
27	225085	BAG CONNECTOR	
28	204111	50MM TWIN WHEEL CASTOR WITH PU TYRE	
29	204071	150MM DIAMETER MOULDED WHEEL	
30	227868	WHEEL HUB FOR 2 SHOT WHEEL	
31	219105	No8 X 5/8 INCH LONG POZI PAN PLASTITE SCREW	
32	20637V	25.4MM TUBE END STOP	
33	20638V	19MM BLACK TUBE END STOP	
34	321000	NUTSERTED LEFT HAND HANDLE SUPPORT (PAINTED BLACK)	
35	321001	NUTSERTED RIGHT HAND HANDLE SUPPORT (PAINTED BLACK)	
36	206362	LOCKING RING	
37	321002	NUTSERTED PIVOT HANDLE (PAINTED BLACK)	
38	220033	M5 X 35MM LONG POZI PAN SCREW	
39	219003	M5 FORM A STEEL WASHER	
40	219567	SPIROL SPACER	
41	219005	M5 FORM G WASHER	
42	604165	TRITEX FILTER FOR 305MM MACHINES	
43	502136	WV/CVC FLOAT CAGE ASSEMBLY	
44	206228	DRAIN HOSE CONNECTOR	DRAIN HOSE MODELS
45	206116	BLACK NUT	DRAIN HOSE MODELS
46	206209	A.B.A HOSE CLIP	DRAIN HOSE MODELS
47	219310	RUBBER WASHER	DRAIN HOSE MODELS
48	213025	600MM - 630MM LONG DUMP HOSE ASSEMBLY	DRAIN HOSE MODELS
49	206111	HOSE CLOSURE	DRAIN HOSE MODELS
50	628276	HORIZONTAL 32/35MM VAC WAND CLAMP	DRAIN HOSE MODELS
51	225071	WATER DEFLECTOR	WATER DEFLECTOR MODELS
52	205443	230V 2 STAGE D.I BYPASS ACUSTEK MOTOR (BL21104T) (MARKED 230V) TCO	



WARNING

Seek guidance from Numatic team before use.
Technical information supplied as guidance for use by suitably qualified personnel only.
Numatic International Limited accepts no liability for misuse or negligence.

