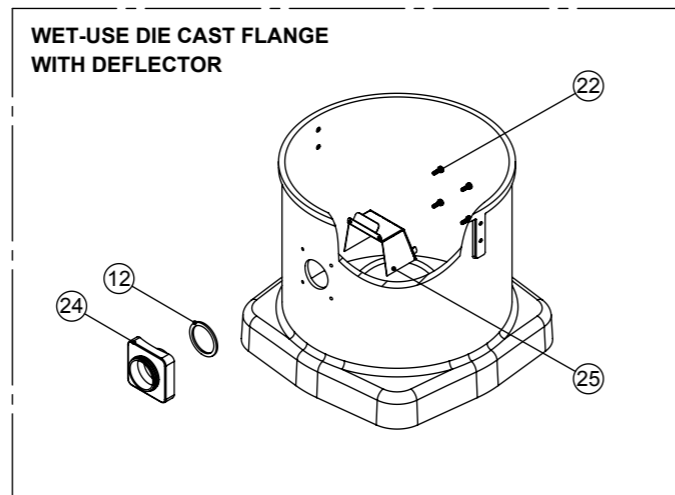
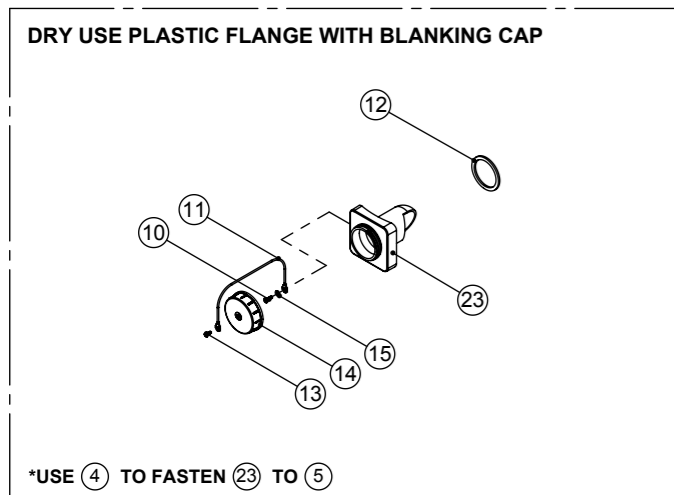
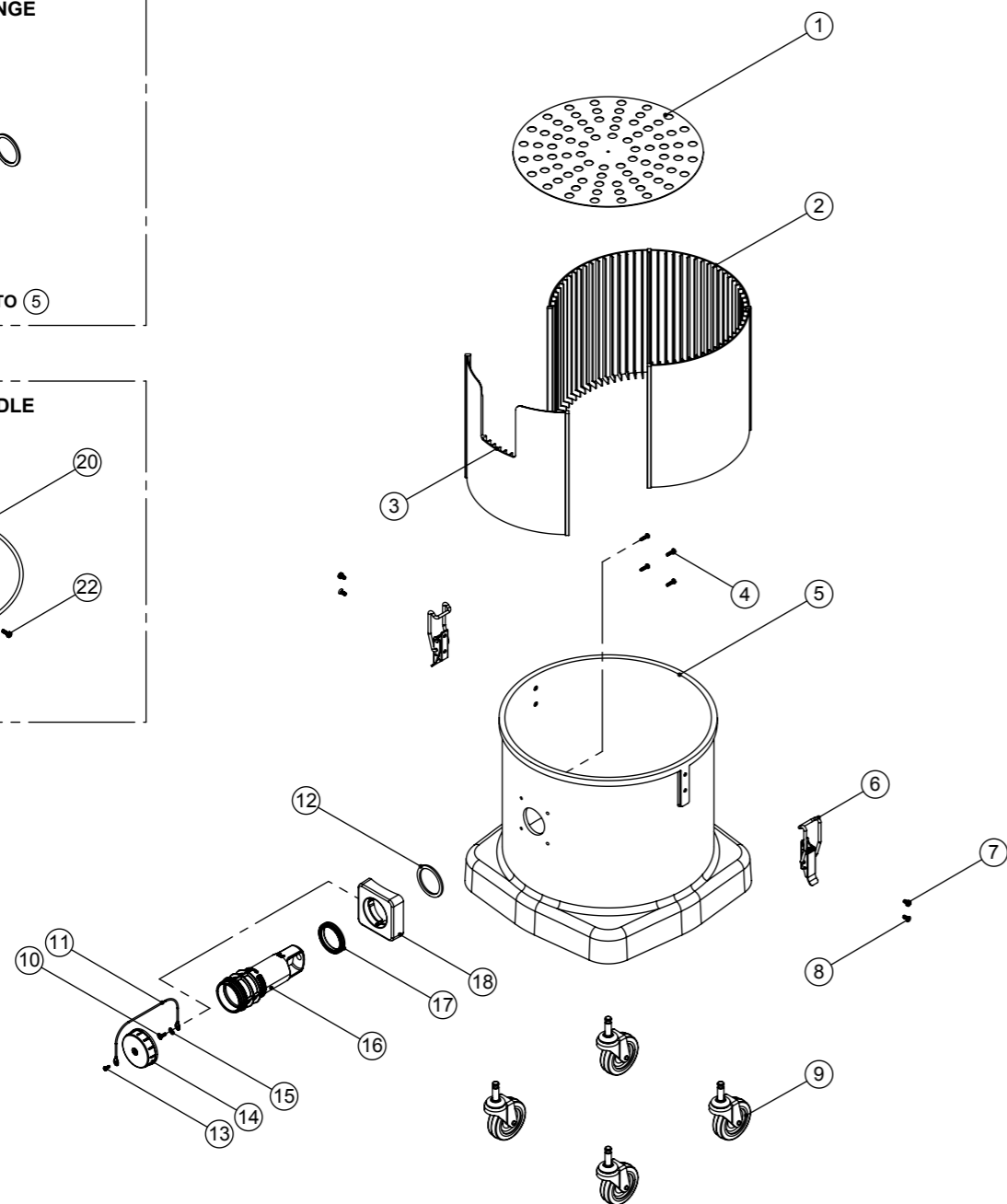
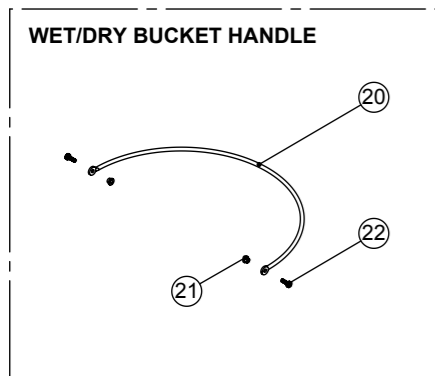
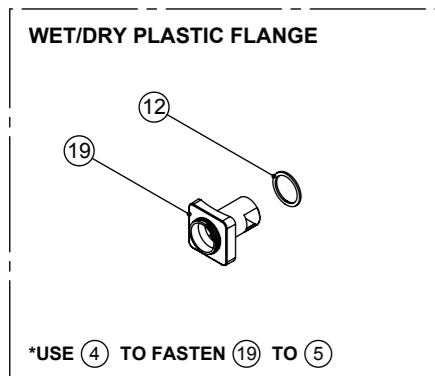


# Numatic International Spare Parts

**Model No:** DRUM STYLE 11 - EXPLODED DRAWING

Internal Code: N/A  
 DRAWING: DRW-21193 ISS:A15  
 TB 28/06/2016

**Models:** HZ; MV; NV; NVQ; ND; WV;



# Numatic International Spare Parts

**Model No:** DRUM STYLE 11 - EXPLODED DRAWING

POS.	ITEM NO.	DESCRIPTION	QTY.	COMMENTS
1	401447	DRUM BASE (PAINTED GREY)	1	FINE DUST VACUUM CLEANERS (MV MACHINES)
2	237048	DRUM LINER	3	
3	308028	DRUM LINER PUNCHED FOR BAG CONNECTOR	1	
4	219105	No8 X 5/8 INCH LONG POZI PAN PLASTITE SCREW	4	
5	-	570 CONTAINER	1	CONTACT NUMATIC FOR DETAILS
6	303637	TOGGLE WITH WIRE CLAW MODIFIED	2	DRUM TO INTERCEPTOR (HZ; MV)
	206135	TOGGLE FASTENER		DRUM TO HEAD (NO INTERCEPTOR)
7	219047	M5 X 10MM LONG POZI PAN SEMS SCREW	2	
8	219330	M5 X 12MM LONG POZI PAN COUNTERSUNK SCREW	2	
9	204060	3 INCH CASTOR	4	
10	219101	No8 X 1/2 INCH LONG POZI PAN PLASTITE SCREW	1	
11	303037	BLANKING CAP FIXING WIRE	1	
12	202027	HOSE FLANGE GASKET	1	
13	219301	No6 X 3/8 INCH LONG POZI PAN SELF TAP SCREW	1	
14	206363	BLANKING CAP	1	
15	219003	M5 FORM A STEEL WASHER	1	
16	237342	BAG CONNECTOR TUBE	1	FOR WET AND DRY USE
	237648	BAYONET BAG CONNECTOR TUBE (DRY)		FOR DRY USE ONLY
17	202102	BAYONET SEAL	1	
18	305038	NDD BAYONET BAG CONNECTOR FRONT (DRILLED) HZ TYPE	1	USE WITH BLANKING CAP
	237343	NDD BAYONET BAG CONNECTOR FRONT		USE WITHOUT BLANKING CAP
19	206117	HOSE CONNECTION FLANGE	1	
20	418512	BLACK CRANKED BUCKET HANDLE	1	
21	208025	SPACER BUCKET HANDLE	2	
22	219045	M5 X 16MM LONG POZI PAN SEMS SCREW	6	2 - HANDLE ⑳ / 4 - CAST FLANGE ㉔
23	303035	DRILLED DRUM FLANGE	1	USE WITH BLANKING CAP
	206024	DRY HOSE CONNECTOR FLANGE		USE WITHOUT BLANKING CAP
24	214001	DIE CAST FLANGE	1	
25	303482	WATER DEFLECTOR	1	