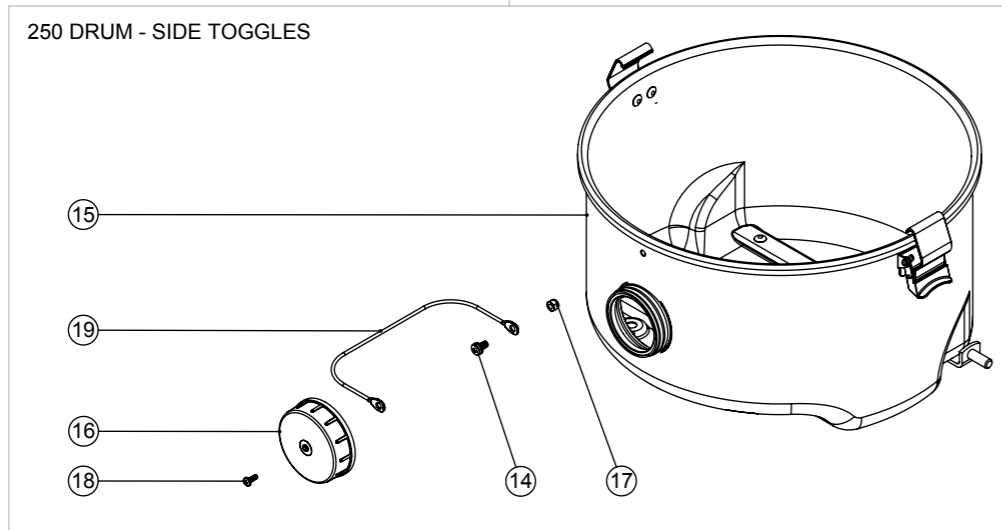
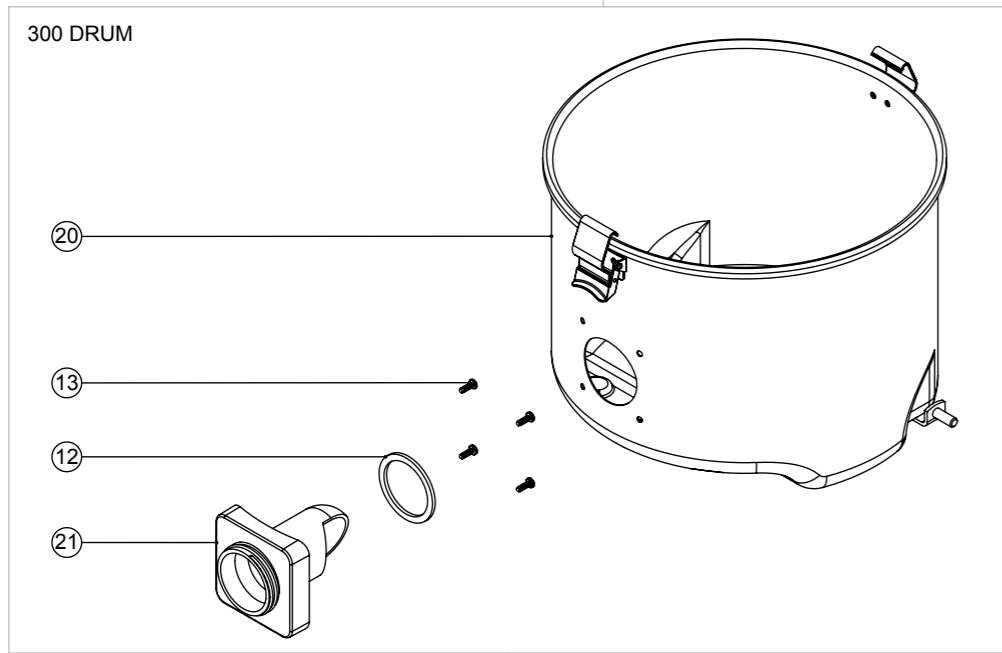
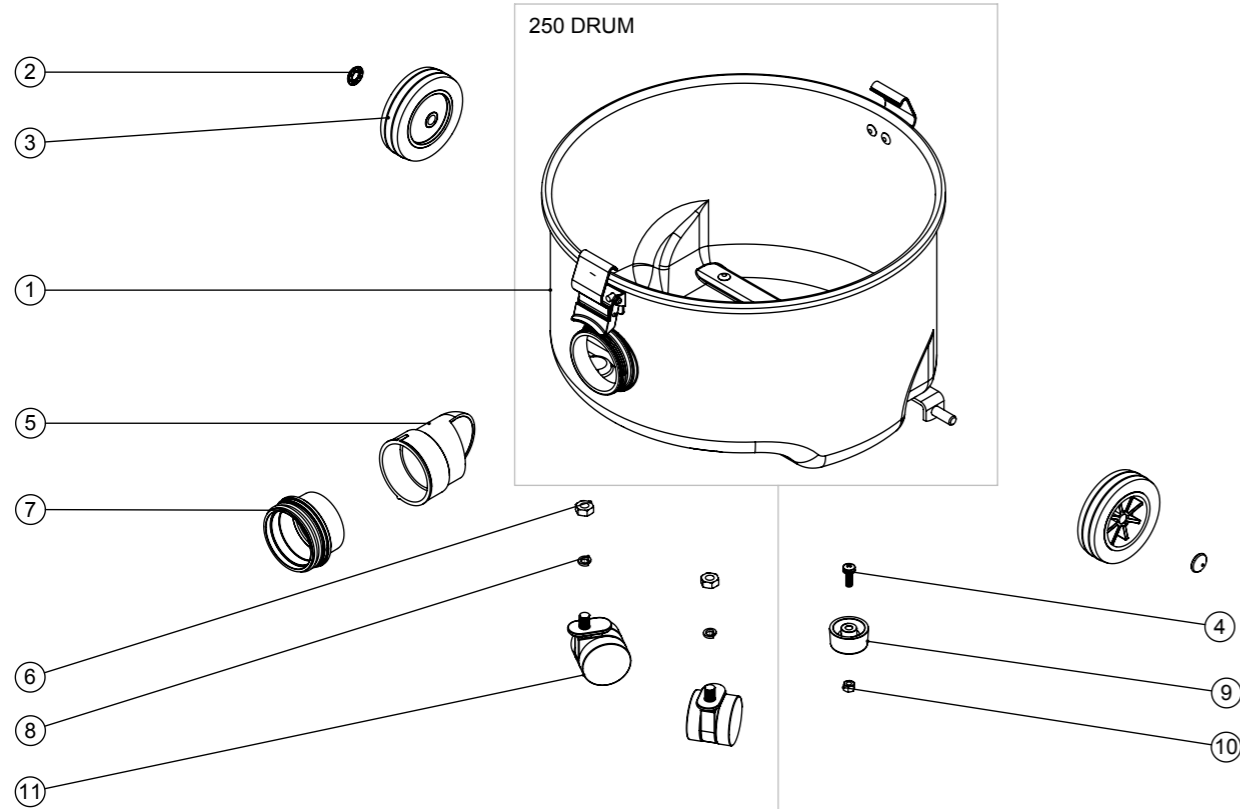


# Numatic International Spare Parts

Model No: DRUM STYLE 6 - 250/300 METAL

NA  
DRAWING: DRW-18738 ISS:A01  
23/12/2014



# Numatic International Spare Parts

Model No: DRUM STYLE 6 - 250/300 METAL

| ITEM: | PART No: | Description                                  | QTY. |                             |
|-------|----------|--|------|-----------------------------|
| 1     | -        | 250 CONTAINER + TOGGLES & AXLE ASSEMBLY      | 1    | CONTACT NUMATIC FOR DETAILS |
| 2     | 204020   | 8MM CHROME HUB CAP                           | 2    |                             |
| 3     | 204008   | 3 INCH BLACK WHEEL                           | 2    |                             |
| 4     | 219045   | M5 X 16MM LONG POZI PAN SEMS SCREW           | 1    |                             |
| 5     | 206004   | TRAPIT CONNECTOR BEND                        | 1    |                             |
| 6     | 219079   | M8 PLAIN NUT                                 | 2    |                             |
| 7     | 206034   | TRAPIT CONNECTOR STRAIGHT SHORT BLACK        | 1    |                             |
| 8     | 219019   | M8 COIL WASHER                               | 2    |                             |
| 9     | 206033   | PLASTIC FOOT                                 | 1    |                             |
| 10    | 219072   | M5 FULL NUT                                  | 1    |                             |
| 11    | 204056   | 40 MM BLACK CASTOR                           | 2    |                             |
| 12    | 202027   | HOSE FLANGE GASKET                           | 1    |                             |
| 13    | 219101   | No8 X 1/2 INCH LONG POZI PAN PLASTIITE SCREW | 4    |                             |
| 14    | 219047   | M5 X 10MM LONG POZI PAN SEMS SCREW           | 1    |                             |
| 15    | -        | 250 DRUM ASSEMBLY - SIDE TOGGLES             | 1    | CONTACT NUMATIC FOR DETAILS |
| 16    | 206363   | BLANKING CAP                                 | 1    |                             |
| 17    | 219076   | M5 NYLON INSERT NUT                          | 1    |                             |
| 18    | 219301   | No6 X 3/8 INCH LONG POZI PAN SELF TAP SCREW  | 1    |                             |
| 19    | 303037   | BLANKING CAP FIXING WIRE                     | 1    |                             |
| 20    | -        | 300 CONTAINER                                | 1    | CONTACT NUMATIC FOR DETAILS |
| 21    | 303035   | DRILLED DRUM FLANGE                          | 1    |                             |