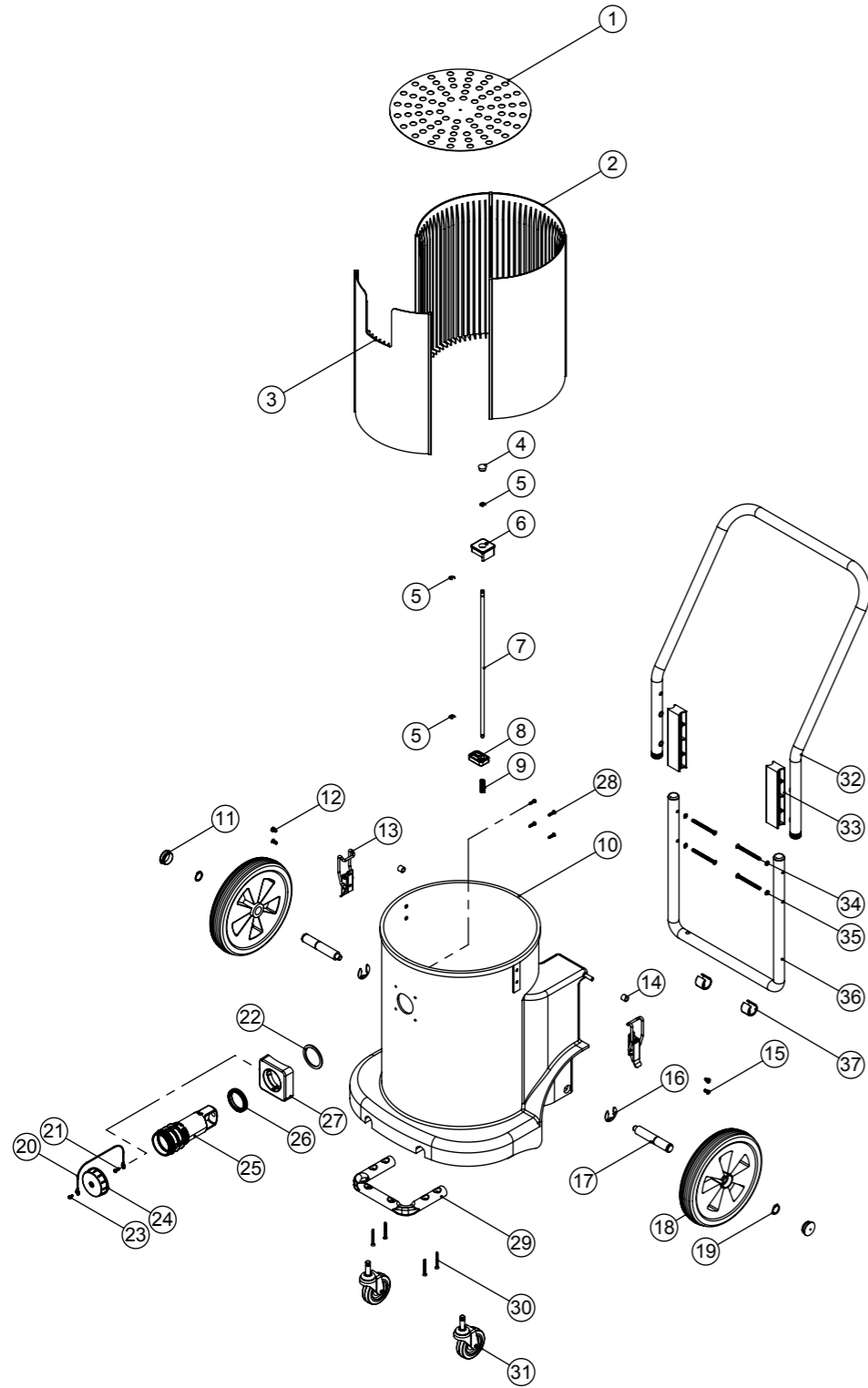


Numatic International Spare Parts

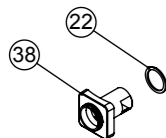
Model No: DRUM STYLE 12 - EXPLODED DRAWING

Internal Code: N/A
DRAWING: DRW-21190 ISS:A13
01/10/09

Models: HZ; MV; NV; NVQ; ND; NT;

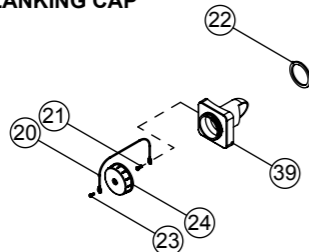


WET/DRY PLASTIC FLANGE



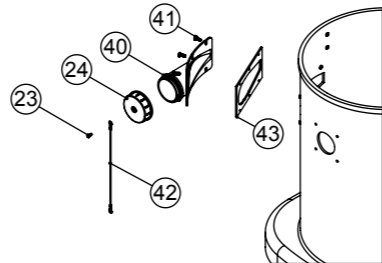
*USE 28 TO FASTEN 38 TO 10

DRY USE PLASTIC FLANGE WITH BLANKING CAP



*USE 28 TO FASTEN 39 TO 10

CYCLONIC INLET WITH BLANKING CAP



Numatic International Spare Parts

Model No: DRUM STYLE 12 - EXPLODED DRAWING

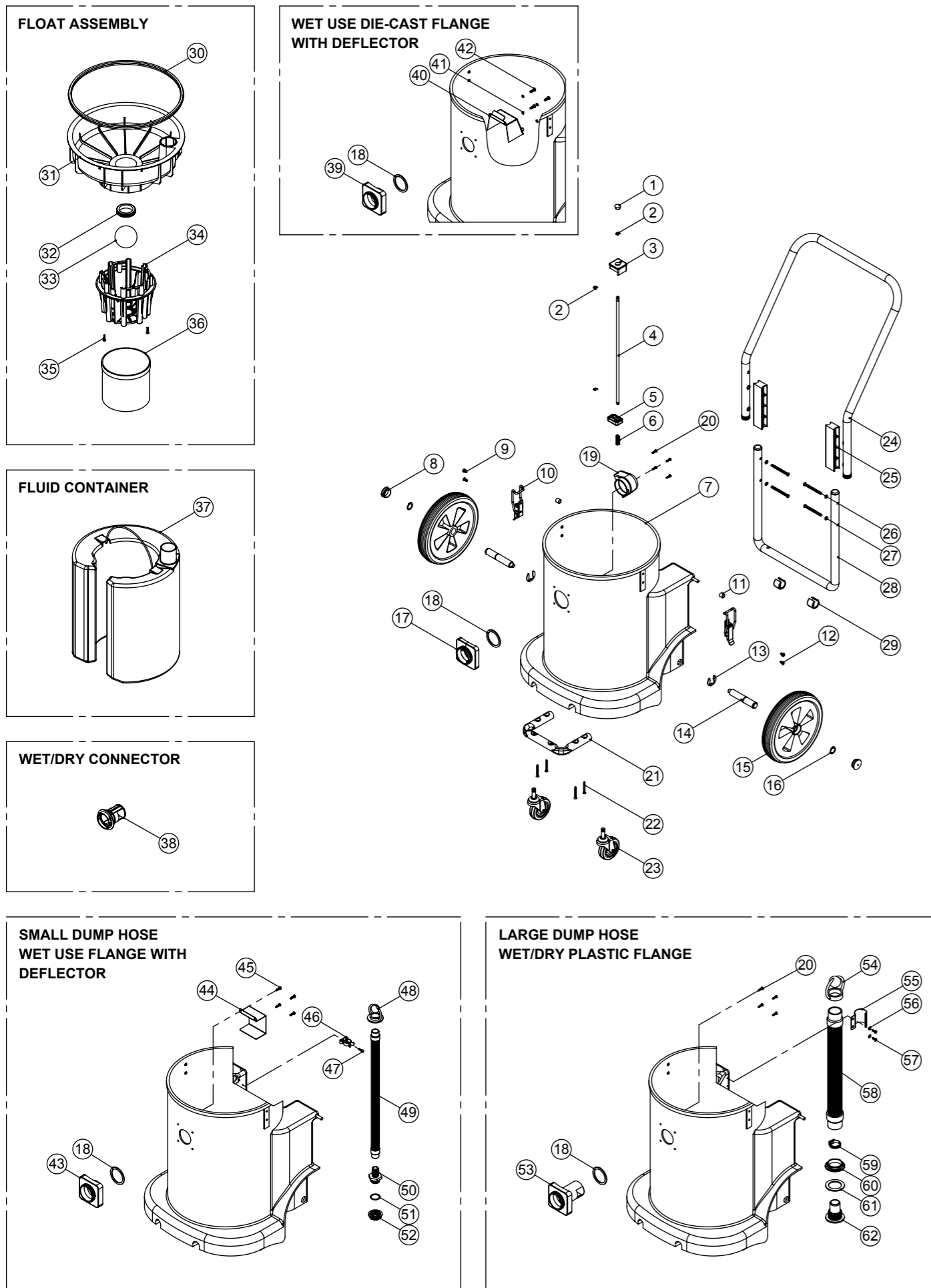
POS.	ITEM NO.	DESCRIPTION	QTY	COMMENTS
1	401447	DRUM BASE (PAINTED GREY)	1	MV, ND, NT, NVQ MACHINES
2	229967	DRUM LINER (FOR ASSEMBLY VIEW)	1	
3	308000	DRUM LINER (FOR ASSEMBLY VIEW ONLY)	1	
4	206132	BLACK PLASTIC CAP	1	
5	219307	E CLIP	3	
6	206126	LOCKING BAR KNOB	1	
7	206133	LOCKING BAR	1	
8	206127	LOCKING BAR SUPPORT	1	
9	219312	COMPRESSION SPRING	1	
10	-	900 CONTAINER	1	CONTACT NUMATIC FOR DETAILS
11	206131	BLACK PLASTIC CAP	2	
12	219047	M5 X 10MM LONG POZI PAN SEMS SCREW	2	
13	206135	TOGGLE FASTENER	2	
14	21985V	SPACER	2	
15	219330	M5 X 12MM LONG POZI PAN COUNTERSUNK SCREW	2	
16	219306	E-CLIP	2	
17	206137	STUB AXLE	2	
18	204028	10 INCH WHEEL	2	
19	219308	CIRCLIP	2	
20	303037	BLANKING CAP FIXING WIRE	1	
21	219101	No8 X 1/2 INCH LONG POZI PAN PLASTIITE SCREW	1	
22	202027	HOSE FLANGE GASKET	1	
23	219301	No6 X 3/8 INCH LONG POZI PAN SELF TAP SCREW	1	
24	206363	BLANKING CAP	1	
25	237342	BAG CONNECTOR TUBE	1	FOR WET AND DRY USE
	237648	BAYONET BAG CONNECTOR TUBE (DRY)		FOR DRY USE ONLY
26	202102	BAYONET SEAL	1	
27	305038	NDD BAYONET BAG CONNECTOR FRONT (DRILLED) HZ TYPE	1	USE WITH BLANKING CAP
	237343	NDD BAYONET BAG CONNECTOR FRONT		USE WITHOUT BLANKING CAP
28	219105	No8 X 5/8 INCH LONG POZI PAN PLASTITE SCREW	4	
29	418961	TOOL MOUNTING BAR (PAINT BLACK)	1	
30	219316	No10 X 43MM LONG POZI PAN COUNTER SUNK PLASTITE SCREW	4	
31	204060	3 INCH CASTOR	2	
32	329169	HANDLE ASSEMBLY	1	
33	206128	HANDLE BLOCK SPACER	2	
34	219422	M6 X 70MM LONG POZI PAN COUNTERSUNK SCREW	4	
35	219423	M6 COUNTERSUNK LOCK WASHER	4	
36	418960	900 DRUM LOWER HANDLE (MILD STEEL PAINTED BLACK)	1	
37	206295	PLASTIC SADDLE FOOT	2	
38	206117	HOSE CONNECTION FLANGE	1	
39	303035	DRILLED DRUM FLANGE	1	USE WITH BLANKING CAP
	206024	DRY HOSE CONNECTOR FLANGE		USE WITHOUT BLANKING CAP
40	206043	CYCLONIC INLET CONNECTOR	1	
41	219049	M5 X 12MM LONG POZI PAN SCREW	6	
42	303121	BLANKING CAP FIX WIRE	1	
43	202033	GASKET	1	

Numatic International Spare Parts

Model No: DRUM STYLE 12 - EXPLODED DRAWING

Internal Code: N/A
 DRAWING: DRW-21190 ISS:A13
 TB 01/10/09

Models: WV; CV; CT;



POS.	ITEM NO.	DESCRIPTION	QTY	COMMENTS
1	206132	BLACK PLASTIC CAP	1	
2	219307	E CLIP	3	
3	206126	LOCKING BAR KNOB	1	
4	206133	LOCKING BAR	1	
5	206127	LOCKING BAR SUPPORT	1	
6	219312	COMPRESSION SPRING	1	
7	-	900 CONTAINER	1	CONTACT NUMATIC FOR DETAILS
8	206131	BLACK PLASTIC CAP	2	
9	219047	M5 X 10MM LONG POZI PAN SEMS SCREW	2	
10	206135	TOGGLE FASTENER	2	
11	21985V	SPACER	2	
12	219330	M5 X 12MM LONG POZI PAN COUNTERSUNK SCREW	2	
13	219306	E-CLIP	2	
14	206137	STUB AXLE	2	
15	204028	10 INCH WHEEL	2	
16	219308	CIRCLIP	2	
17	270161	FLANGE NECK BAYONET	1	
18	202027	HOSE FLANGE GASKET	1	
19	227811	WATER DEFLECTOR	1	
20	219370	No8 X 5/8 INCH LONG PLASTITE STAINLESS STEEL SCREW	4	
21	303127	TOOL MOUNTING BAR	1	
22	219316	No10 X 43MM LONG POZI PAN COUNTER SUNK PLASTITE SCREW	4	
23	204060	3 INCH CASTOR	2	
24	329169	HANDLE ASSEMBLY	1	
25	206128	HANDLE BLOCK SPACER	2	
26	219422	M6 X 70MM LONG POZI PAN COUNTERSUNK SCREW	4	
27	219423	M6 COUNTERSUNK LOCK WASHER	4	
28	303128	900 DRUM LOWER HANDLE (STAINLESS STEEL)	1	
29	206295	PLASTIC SADDLE FOOT	2	
30	202036	FLOAT MOULD EXTRUSION SEAL	1	
31	225102	FLOAT MOULDING	1	TO USE WITH FLUID CONTAINER
	225101	FLOAT MOULDING	1	USE WITHOUT FLUID CONTAINER
32	220235	FLOAT GROMMET	1	
33	206026	POLYPROP BALL	1	
34	225130	MOULDED FLOAT CAGE	1	
35	219568	NO8.3/4 INCH LG.POZI-PAN.SCREW.STAINLESS STEEL.PLASTITE	2	
36	207073	GAUZE FILTER	1	
	207126	MESH FILTER (WITH FILTER CLIP MOULDING)	1	
37	325160	FLUID CONTAINER & HANDLE ASSEMBLY	1	
38	206493	WET DRY CONNECTOR	1	USE WITH (17) IN PLACE OF (19)
39	214001	DIE CAST FLANGE	1	
40	303482	WATER DEFLECTOR	1	
41	291084	WASHER.M5.SHAKEPROOF.STAINLESS STEEL	4	ONLY USE WITH (39)
42	219547	M5 X 16MM LONG POZI PAN STAINLESS STEEL SCREW	4	ONLY USE WITH (39)
43	206025	WET HOSE CONNECTOR FLANGE+ SNOUT	1	
44	303039	(STAINLESS STEEL) WATER DEFLECTOR	1	
45	219105	No8 X 5/8 INCH LONG POZI PAN PLASTITE SCREW	4	ONLY USE WITH (43) AND (44)
46	219503	TOOL CLIP	1	
47	219107	NO6.5/8 INCH LG.POZI-PAN.SCREW.STAINLESS STEEL.PLASTITE	1	
48	206058	HOSE CLOSURE	1	
49	213108	DUMP HOSE ASSEMBLY	1	
50	216191	3/4 INCH HOSE TAIL + O RING GROOVE	1	
51	216193	O RING	1	
52	216192	3/4 INCH BSP BACK NUT	1	
53	206117	HOSE CONNECTION FLANGE	1	
54	206111	HOSE CLOSURE	1	
55	206205	HOSE CLIP	1	
56	219003	M5 FORM A STEEL WASHER	2	
57	219101	No8 X 1/2 INCH LONG POZI PAN PLASTITE SCREW	2	
58	225099	EMPTYING HOSE	1	
59	206209	A.B.A HOSE CLIP	1	
60	206116	BLACK NUT	1	
61	219310	RUBBER WASHER	1	
62	206228	DRAIN HOSE CONNECTOR	1	